

# *Substation Products*



 **THE  
HOMAC  
COMPANIES**





**THE  
HOMAC  
COMPANIES**







# SUBSTATION PRODUCTS - CONTENTS

<b>INDEX</b>	<b>PAGE</b>
BY TYPE .....	1 - 4
ALPHA-NUMERIC LISTING BY SERIES NUMBER .....	5 - 9
BY SECTION .....	10 - 16

<b>GENERAL REFERENCE</b>	<b>PAGE</b>
RECOMMENDED TORQUE .....	18
CAST ALLOYS .....	18
WROUGHT ALLOYS .....	18
PAD DESIGNATIONS .....	19
BOLTED ALUMINUM CABLE RANGES .....	20
COPPER CABLE RANGES .....	20
WELD CABLE RANGES .....	21
PIPE CHART .....	22
STANDARD SUFFIXES .....	23
GRAPH FOR INSTALLING EXPANSION TERMINALS AND COUPLERS .....	24
GRAPH FOR INSTALLING EXPANSION BUS SUPPORTS .....	25

<b>WELD ALUMINUM</b>	<b>PAGE</b>
PICTORIAL INDEX .....	W-P1 - W-P5
WELD ALUMINUM PRODUCTS .....	W-01 - W-55

<b>BOLTED ALUMINUM</b>	<b>PAGE</b>
PICTORIAL INDEX .....	A-P1 - A-P6
BOLTED ALUMINUM PRODUCTS .....	A-01 - A-67

<b>BRONZE</b>	<b>PAGE</b>
PICTORIAL INDEX .....	B-P1 - B-P8
BRONZE PRODUCTS .....	B-01 - B-57

<b>EXTRA HIGH VOLTAGE</b>	<b>PAGE</b>
PICTORIAL INDEX .....	EHV-P1 - EHV-P6
EXTRA HIGH VOLTAGE PRODUCTS .....	EHV-01 - EHV-58



# SUBSTATION PRODUCTS BY TYPE

SERIES #	A FRAME ASSEMBLIES	PAGE
AFRW	ALUMINUM WELD A-FRAME ASSEMBLIES .....	W-17

SERIES #	BUS SUPPORTS	PAGE
AWBP	ALUMINUM WELD BUS SUPPORT LAY IN STYLE .....	W-47
AWBS	ALUMINUM WELD BUS SUPPORT RING STYLE .....	W-48
AWBQ	ALUMINUM WELD BUS SUPPORT HOOK-ON STYLE .....	W-49
WAXB	ALUMINUM WELD BUS SUPPORT SINGLE RING STYLE .....	W-50
AWPX	ALUMINUM WELD BUS SUPPORT VERTICAL TAKE-OFF .....	W-51
ATB	ALUMINUM SLIDE BUS SUPPORT .....	A-58
ASBC	ALUMINUM BOLTED CLAMP OR SLIDE BUS SUPPORT .....	A-59
ASBCC	ALUMINUM BOLTED CLAMP BUS SUPPORT COUPLER .....	A-60
ASBCE	ALUMINUM BOLTED SLIDE BUS SUPPORT COUPLER .....	A-61
AVBS	ALUMINUM BOLTED VERTICAL BUS SUPPORT .....	A-62
ASBD	ALUMINUM BOLTED SINGLE CABLE BUS SUPPORT .....	A-64
ASBP	ALUMINUM BOLTED DOUBLE CABLE BUS SUPPORT .....	A-65
SPAE	ALUMINUM BUS SUPPORT BOLT CIRCLE ADAPTER .....	A-67
SPAC	ALUMINUM BUS SUPPORT BOLT CIRCLE HEIGHT ADAPTER .....	A-67
KTB	BRONZE SLIDE BUS SUPPORT .....	B-40
KSBE	BRONZE BOLTED CLAMP OR SLIDE BUS SUPPORT .....	B-41
KVBS	BRONZE BOLTED VERTICAL BUS SUPPORT .....	B-42
KSBD	BRONZE BOLTED SINGLE CABLE BUS SUPPORT .....	B-43
8M	BRONZE BOLTED SINGLE CABLE OR PIPE BUS SUPPORT .....	B-44

SERIES #	COUPLER CONNECTORS	PAGE
WALB	ALUMINUM WELD COUPLER, PIPE TO PIPE (CAST VERSION) .....	W-11
AWCE	ALUMINUM WELD COUPLER, PIPE TO PIPE (EXTRUDED VERSION) .....	W-12
AWCL	ALUMINUM WELD COUPLER, PIPE TO PIPE (EXTRUDED VERSION) .....	W-12
AWBE-45	ALUMINUM WELD ELBOW, PIPE TO PIPE, 45° .....	W-13
AWBE-90	ALUMINUM WELD ELBOW, PIPE TO PIPE, 90° .....	W-13
WASC	ALUMINUM WELD SPHERICAL COUPLER, PIPE TO PIPE .....	W-15
AWDC	ALUMINUM WELD COUPLER, PIPE TO CABLE .....	W-16
ABC	ALUMINUM BOLTED COUPLER, PIPE TO PIPE .....	A-18 - A-19
ABCE-45	ALUMINUM BOLTED ELBOW, PIPE TO PIPE, 45° .....	A-20
ABCE-90	ALUMINUM BOLTED ELBOW, PIPE TO PIPE, 90° .....	A-20
ABR	ALUMINUM BOLTED COUPLER, PIPE TO CABLE .....	A-21 - A-23

# SUBSTATION PRODUCTS BY TYPE

SERIES #	COUPLER CONNECTORS (continued)	PAGE
ABR	ALUMINUM BOLTED COUPLER, CABLE TO CABLE .....	A-26
KC	BRONZE BOLTED COUPLER, PIPE TO PIPE .....	B-10
KE-45	BRONZE BOLTED ELBOW, PIPE TO PIPE, 45° .....	B-11
KE-90	BRONZE BOLTED ELBOW, PIPE TO PIPE, 90° .....	B-11
KR	BRONZE BOLTED COUPLER, PIPE TO CABLE .....	B-12

SERIES #	END CAPS / CORONA BELL	PAGE
AWNPN	ALUMINUM WELD END CAP / CORONA BELL .....	W-46
AKFI	ALUMINUM WELD DRIVE FIT END CAP / CORONA BELL .....	A-01
KFI	BRONZE DRIVE FIT END CAP / CORONA BELL .....	B-01

SERIES #	EXPANSION / FLEXIBLE CONNECTORS	PAGE
WAFG	ALUMINUM WELD EXPANSION COUPLER .....	W-14
AWECC	ALUMINUM WELD EXPANSION BUS SUPPORT .....	W-52
AWEPC	ALUMINUM WELD EXPANSION TERMINAL .....	W-26 - W-27
AFG	ALUMINUM BOLTED EXPANSION COUPLER .....	A-17
ABEPC	ALUMINUM BOLTED EXPANSION TERMINAL .....	A-36
WVLS12	ALUMINUM WELDED ADJUSTABLE ANGLE EXPANSION, STUD TO PIPE .....	A-50
WVLS20	ALUMINUM WELDED ADJUSTABLE ANGLE EXPANSION, STUD TO PIPE .....	A-51
AVLS12	ALUMINUM BOLTED ADJUSTABLE ANGLE EXPANSION, STUD TO PIPE .....	A-52
AVLS20	ALUMINUM BOLTED ADJUSTABLE ANGLE EXPANSION, STUD TO PIPE .....	A-53
ASPKG	ALUMINUM BOLTED EXPANSION, STUD TO PIPE .....	A-54
AVLS	ALUMINUM FLEXIBLE EXPANSION STRAPS .....	A-55
7020 SERIES	ALUMINUM WELDED FLEXIBLE EXPANSION JUMPERS .....	A-56
7021 SERIES	ALUMINUM WELDED FLEXIBLE EXPANSION JUMPERS .....	A-57
APPB	ALUMINUM BOLTED EXPANSION BUS SUPPORT .....	A-63
VEX	BRONZE BOLTED EXPANSION COUPLER .....	B-13
VLS	COPPER FLEXIBLE EXPANSION STRAPS .....	B-25
VEZ	BRONZE BOLTED EXPANSION TERMINAL .....	B-19
VIF	BRONZE BOLTED EXPANSION, STUD TO PIPE .....	B-36
VIF-90	BRONZE BOLTED EXPANSION, STUD TO PIPE, 90° .....	B-37



# SUBSTATION PRODUCTS BY TYPE

SERIES #	FLEXIBLE BRAID ASSEMBLIES	PAGE
VGG	FLEXIBLE BRAID ASSEMBLIES .....	B-26
FB	FLEXIBLE BRAID ASSEMBLIES .....	B-27

SERIES #	GROUND STUDS	PAGE
AWGS	ALUMINUM WELD GROUND STUDS .....	W-53
ABGS	ALUMINUM BOLTED GROUND STUDS .....	A-27

SERIES #	GROUND CONNECTORS	PAGE
2755	BRONZE GROUND CONNECTOR, PIPE TO SINGLE CABLE .....	B-46 - B-47
2752	BRONZE GROUND CONNECTOR, PIPE TO TWO OR THREE CABLES .....	B-48 - B-49
2709T-1	BRONZE GROUND CONNECTOR, CABLE TO FLAT (CAP ONLY) .....	B-50
2709-1	BRONZE GROUND CONNECTOR, CABLE TO FLAT .....	B-51
2709T-2	BRONZE GROUND CONNECTOR, (2) CABLES TO FLAT (CAP ONLY) .....	B-52
2709-2	BRONZE GROUND CONNECTOR, (2) CABLES TO FLAT .....	B-53
2710-2	BRONZE GROUND CONNECTOR, (2) CABLES, (2) SCREWS TO FLAT .....	B-54
NTB	BRONZE GROUND CONNECTOR, PIPE TO BRAID .....	B-55
VGH	BRONZE GROUND CONNECTOR, PIPE TO FLAT .....	B-56

SERIES #	PARALLEL CLAMPS / SPACERS	PAGE
ABRU	ALUMINUM BOLTED PARALLEL CLAMP, U-BOLT STYLE .....	A-24
ACS2	ALUMINUM BOLTED CABLE SPACER .....	A-25
APP	ALUMINUM BOLTED PARALLEL CLAMP, NON U-BOLT STYLE .....	A-66
VWU	BRONZE BOLTED PARALLEL CLAMP, U-BOLT STYLE .....	B-14
PT	BRONZE BOLTED PARALLEL CLAMP, NON U-BOLT STYLE .....	B-45

SERIES #	STUD CONNECTORS	PAGE
AVIE	ALUMINUM BOLTED STUD CONNECTOR TO FLAT PAD .....	A-44
AVIE-90	ALUMINUM BOLTED STUD CONNECTOR TO 90° PAD .....	A-45
AVIC	ALUMINUM BOLTED STUD CONNECTOR TO VERTICAL PIPE .....	A-46
AVIC-90	ALUMINUM BOLTED STUD CONNECTOR TO PIPE AT 90° .....	A-47
AVID	ALUMINUM BOLTED STUD CONNECTOR TO VERTICAL CABLE .....	A-48
AVID-90	ALUMINUM BOLTED STUD CONNECTOR TO CABLE AT 90° .....	A-49
KSLC	BRONZE BOLTED STUD CONNECTOR TO FLAT PAD .....	B-28 - B-29

# SUBSTATION PRODUCTS BY TYPE

SERIES #	STUD CONNECTORS (continued)	PAGE
KSLF	BRONZE BOLTED STUD CONNECTOR TO 90° PAD . . . . .	B-30 - B-31
VIC	BRONZE BOLTED STUD CONNECTOR TO VERTICAL PIPE . . . . .	B-32
VIC-90	BRONZE BOLTED STUD CONNECTOR TO PIPE AT 90° . . . . .	B-33
VID	BRONZE BOLTED STUD CONNECTOR TO VERTICAL CABLE . . . . .	B-34
VID-90	BRONZE BOLTED STUD CONNECTOR TO CABLE AT 90° . . . . .	B-35
5M	BRONZE BOLTED STUD CONNECTOR TO PIPE OR CABLE . . . . .	B-38
5M-2	BRONZE BOLTED STUD CONNECTOR TO (2) PIPES OR CABLES . . . . .	B-39

SERIES #	TEE CONNECTORS	PAGE
AWY-15-15	ALUMINUM WELD TEE, PIPE RUN TO (2) PIPE TAPS, Y STYLE . . . . .	W-01
AWT	ALUMINUM WELD TEE, PIPE RUN TO PIPE TAP . . . . .	W-02 - W-03
AWT	ALUMINUM WELD TEE, PIPE RUN TO CABLE TAP . . . . .	W-10
AWTA-15	ALUMINUM WELD TEE, PIPE RUN TO PIPE TAP AT 15° . . . . .	W-04 - W-05
AWTA-15-15	ALUMINUM WELD TEE, PIPE RUN TO (2) PIPE TAPS, 15° . . . . .	W-06 - W-07
AWBT	ALUMINUM WELD TEE, PIPE RUN TO FLAT PAD TAP . . . . .	W-08
AWBT-90	ALUMINUM WELD TEE, PIPE RUN TO FLAT PAD TAP, 90° . . . . .	W-09
ABT	ALUMINUM BOLTED TEE, PIPE RUN TO PIPE TAP . . . . .	A-02 - A-03
ABT-15	ALUMINUM BOLTED TEE, PIPE RUN TO PIPE TAP AT 15° . . . . .	A-04 - A-05
ABT-15-15	ALUMINUM BOLTED TEE, PIPE RUN TO (2) PIPE TAPS AT 15° . . . . .	A-06 - A-07
ABNT	ALUMINUM BOLTED TEE, PIPE RUN TO FLAT PAD TAP . . . . .	A-08 - A-09
ABTT	ALUMINUM BOLTED TEE, PIPE RUN TO (2) CABLE TAPS . . . . .	A-10
AB2T	ALUMINUM BOLTED TEE, PIPE RUN TO (2) CABLE TAPS . . . . .	A-11
A6MT	ALUMINUM BOLTED TEE, PIPE RUN TO A CABLE TAP . . . . .	A-12 - A-14
A6MT	ALUMINUM BOLTED TEE, CABLE RUN TO A CABLE TAP . . . . .	A-15
A7MT	ALUMINUM BOLTED TEE, CABLE RUN TO A FLAT PAD TAP . . . . .	A-16
KTH	BRONZE BOLTED TEE, PIPE RUN TO PIPE TAP . . . . .	B-02
KTH-15	BRONZE BOLTED TEE, PIPE RUN TO PIPE TAP AT 15° . . . . .	B-03
KTH-15-15	BRONZE BOLTED TEE, PIPE RUN TO (2) PIPE TAPS AT 15° . . . . .	B-03
KBNT	BRONZE BOLTED TEE, PIPE RUN TO FLAT PAD TAP . . . . .	B-04
6MT	BRONZE BOLTED TEE, PIPE RUN TO A CABLE TAP . . . . .	B-05
6MT	BRONZE BOLTED TEE, CABLE RUN TO A CABLE TAP . . . . .	B-06
6MK	BRONZE BOLTED UNIVERSAL TEE / COUPLER, PIPE OR CABLE . . . . .	B-07
7MT	BRONZE BOLTED TEE, CABLE RUN TO A FLAT PAD TAP . . . . .	B-08
7MK	BRONZE BOLTED TEE / TERMINAL, PIPE OR CABLE RUN TO PAD TAP . . . . .	B-09

# SUBSTATION PRODUCTS

## ALPHA-NUMERIC LISTING BY SERIES NUMBER

SERIES #	TYPE	PAGE
2709-1	BRONZE GROUND CONNECTOR, CABLE TO FLAT	B-51
2709-2	BRONZE GROUND CONNECTOR, (2) CABLES TO FLAT	B-53
2709T-1	BRONZE GROUND CONNECTOR, CABLE TO FLAT (CAP ONLY)	B-50
2709T-2	BRONZE GROUND CONNECTOR, (2) CABLES TO FLAT (CAP ONLY)	B-52
2710-2	BRONZE GROUND CONNECTOR, (2) CABLES, (2) SCREWS TO FLAT	B-54
2752	BRONZE GROUND CONNECTOR, PIPE TO TWO OR THREE CABLES	B-48 - B-49
2755	BRONZE GROUND CONNECTOR, PIPE TO SINGLE CABLE	B-46 - B-47
5M	BRONZE BOLTED STUD CONNECTOR TO PIPE OR CABLE	B-38
5M-2	BRONZE BOLTED STUD CONNECTOR TO (2) PIPES OR CABLES	B-39
6MK	BRONZE BOLTED UNIVERSAL TEE / COUPLER, PIPE OR CABLE	B-07
6MT	BRONZE BOLTED TEE, PIPE RUN TO A CABLE TAP	B-05
6MT	BRONZE BOLTED TEE, CABLE RUN TO A CABLE TAP	B-06
7020	ALUMINUM WELDED FLEXIBLE EXPANSION JUMPERS	A-56
7021	ALUMINUM WELDED FLEXIBLE EXPANSION JUMPERS	A-57
7ME	BRONZE BOLTED TERMINAL, (1) CABLE TO FLAT PAD	B-20
7ME-45	BRONZE BOLTED TERMINAL, (1) CABLE TO 45° PAD	B-21
7ME-90	BRONZE BOLTED TERMINAL, (1) CABLE TO 90° PAD	B-22
7MK	BRONZE BOLTED TEE / TERMINAL, PIPE OR CABLE RUN TO PAD	B-09
7MM	BRONZE BOLTED TERMINAL, (2) CABLES, (2) CAPS TO FLAT PAD	B-23
7MM1	BRONZE BOLTED TERMINAL, (2) CABLES, (2) CAPS TO FLAT PAD	B-23
7MM1-90	BRONZE BOLTED TERMINAL, (2) CABLES, (1) CAP TO 90° PAD	B-24
7MM-90	BRONZE BOLTED TERMINAL, (2) CABLES, (2) CAPS TO 90° PAD	B-24
7MT	BRONZE BOLTED TEE, CABLE RUN TO A FLAT RUN TAP	B-08
8M	BRONZE BOLTED SINGLE CABLE OR PIPE BUS SUPPORT	B-44
A6MT	ALUMINUM BOLTED TEE, PIPE RUN TO CABLE TAP	A-12 - A-14
A6MT	ALUMINUM BOLTED TEE, CABLE RUN TO CABLE TAP	A-01
A7M	ALUMINUM BOLTED TERMINAL, (1) CABLE TO FLAT PAD	A-37
A7M-45	ALUMINUM BOLTED TERMINAL, (1) CABLE TO 45° PAD	A-38
A7M-90	ALUMINUM BOLTED TERMINAL, (1) CABLE TO 90° PAD	A-39
A7MM	ALUMINUM BOLTED TERMINAL, (2) CABLES, (2) CAPS TO FLAT PAD	A-41
A7MM1	ALUMINUM BOLTED TERMINAL, (2) CABLES, (1) CAP TO FLAT PAD	A-40
A7MM1-90	ALUMINUM BOLTED TERMINAL, (2) CABLES, (1) CAP TO 90° PAD	A-42
A7MM-90	ALUMINUM BOLTED TERMINAL, (2) CABLES, (2) CAPS TO 90° PAD	A-43
A7MT	ALUMINUM BOLTED TEE, CABLE RUN TO A FLAT PAD TAP	A-16

# SUBSTATION PRODUCTS

## ALPHA-NUMERIC LISTING BY SERIES NUMBER

SERIES #	TYPE	PAGE
AB2T	ALUMINUM BOLTED TEE, PIPE RUN TO (2) CABLE TAPS .....	A-11
ABC	ALUMINUM BOLTED COUPLER, PIPE TO PIPE .....	A-18 - A-19
ABCE-45	ALUMINUM BOLTED ELBOW, PIPE TO PIPE, 45° .....	A-20
ABCE-90	ALUMINUM BOLTED ELBOW, PIPE TO PIPE, 90° .....	A-20
ABEPC	ALUMINUM BOLTED EXPANSION TERMINAL .....	A-36
ABGS	ALUMINUM BOLTED GROUND STUDS .....	A-27
ABN	ALUMINUM BOLTED TERMINAL, PIPE TO FLAT PAD .....	A-28 - A-29
ABN-45	ALUMINUM BOLTED TERMINAL, PIPE TO 45° PAD .....	A-30 - A-31
ABN-90	ALUMINUM BOLTED TERMINAL, PIPE TO 90° PAD .....	A-32 - A-33
ABNC	ALUMINUM BOLTED TERMINAL, PIPE TO FLAT CENTER FORMED PAD .....	A-34 - A-35
ABNT	ALUMINUM BOLTED TEE, PIPE RUN TO FLAT PAD TAP .....	A-08 - A-09
ABR	ALUMINUM BOLTED COUPLER, PIPE TO CABLE .....	A-21 - A-23
ABR	ALUMINUM BOLTED COUPLER, CABLE TO CABLE .....	A-26
ABRU	ALUMINUM BOLTED PARALLEL CLAMP, U-BOLT STYLE .....	A-24
ABT	ALUMINUM BOLTED TEE, PIPE RUN TO PIPE TAP .....	A-02 - A-03
ABT-15	ALUMINUM BOLTED TEE, PIPE RUN TO PIPE TAP AT 15° .....	A-04 - A-05
ABT-15-15	ALUMINUM BOLTED TEE, PIPE RUN TO (2) PIPE TAPS AT 15° .....	A-06 - A-07
ABTT	ALUMINUM BOLTED TEE, PIPE RUN TO (2) CABLE TAPS .....	A-10
ACS2	ALUMINUM BOLTED CABLE SPACER .....	A-25
AFG	ALUMINUM BOLTED EXPANSION COUPLER .....	A-17
AFRW	ALUMINUM WELD A-FRAME ASSEMBLIES .....	W-17
AKFI	ALUMINUM WELD DRIVE FIT END CAP / CORONA BELL .....	A-01
ALCC	COMPRESSION TERMINAL, CABLE TO FLAT .....	W-54
APP	ALUMINUM BOLTED PARALLEL CLAMP, NON U-BOLT STYLE .....	A-66
APPB	ALUMINUM BOLTED EXPANSION BUS SUPPORT .....	A-63
ASBC	ALUMINUM BOLTED CLAMP OR SLIDE BUS SUPPORT .....	A-59
ASBCC	ALUMINUM BOLTED CLAMP BUS SUPPORT COUPLER .....	A-60
ASBCE	ALUMINUM BOLTED SLIDE BUS SUPPORT COUPLER .....	A-61
ASBD	ALUMINUM BOLTED SINGLE CABLE BUS SUPPORT .....	A-64
ASBP	ALUMINUM BOLTED DOUBLE CABLE BUS SUPPORT .....	A-65
ASPKG	ALUMINUM BOLTED EXPANSION, STUD TO PIPE .....	A-54
ATB	ALUMINUM SLIDE BUS SUPPORT .....	A-58

# SUBSTATION PRODUCTS

## ALPHA-NUMERIC LISTING BY SERIES NUMBER

SERIES #	TYPE	PAGE
AVBS	ALUMINUM BOLTED VERTICAL BUS SUPPORT .....	A-62
AVIC	ALUMINUM BOLTED STUD CONNECTOR TO VERTICAL PIPE .....	A-46
AVIC-90	ALUMINUM BOLTED STUD CONNECTOR TO PIPE AT 90° .....	A-47
AVID	ALUMINUM BOLTED STUD CONNECTOR TO VERTICAL CABLE .....	A-48
AVID-90	ALUMINUM BOLTED STUD CONNECTOR TO CABLE AT 90° .....	A-36
AVIE	ALUMINUM BOLTED STUD CONNECTOR TO FLAT PAD .....	A-44
AVIE-90	ALUMINUM BOLTED STUD CONNECTOR TO 90° PAD .....	A-45
AVLS	ALUMINUM FLEXIBLE EXPANSION STRAPS .....	A-55
AVLS12	ALUMINUM BOLTED ADJUSTABLE ANGLE EXPANSION, STUD TO PIPE .....	A-52
AVLS20	ALUMINUM BOLTED ADJUSTABLE ANGLE EXPANSION, STUD TO PIPE .....	A-53
AWBE-45	ALUMINUM WELD ELBOW, PIPE TO PIPE, 45° .....	W-13
AWBE-90	ALUMINUM WELD ELBOW, PIPE TO PIPE, 90° .....	W-13
AWBP	ALUMINUM WELD BUS SUPPORT LAY IN STYLE .....	W-47
AWBQ	ALUMINUM WELD BUS SUPPORT HOOK-ON STYLE .....	W-49
AWBS	ALUMINUM WELD BUS SUPPORT RING STYLE .....	W-48
AWBT	ALUMINUM WELD TEE, PIPE RUN TO FLAT PAD TAP .....	W-08
AWBT-90	ALUMINUM WELD TEE, PIPE RUN TO FLAT PAD TAP, 90° .....	W-09
AWCE	ALUMINUM WELD COUPLER, PIPE TO PIPE (EXTRUDED VERSION) .....	W-12
AWCL	ALUMINUM WELD COUPLER, PIPE TO PIPE (EXTRUDED VERSION) .....	W-12
AWDC	ALUMINUM WELD COUPLER, PIPE TO CABLE .....	W-16
AWECC	ALUMINUM WELD EXPANSION BUS SUPPORT .....	W-52
AWEE	ALUMINUM WELD TERMINAL, PIPE TO FLAT CENTER FORMED PAD .....	W-24 - W-25
AWEPC	ALUMINUM WELD EXPANSION TERMINAL .....	W-26 - W-27
AWEPF	ALUMINUM WELD EXPANSION TERMINAL, PIPE TO SIDE FORMED FLAT .....	W-27.1
AWF	ALUMINUM WELD TERMINAL, PIPE TO FLAT PAD .....	W-18 - W-19
AWF-45	ALUMINUM WELD TERMINAL, PIPE TO 45° PAD .....	W-20 - W-21
AWF-90	ALUMINUM WELD TERMINAL, PIPE TO 90° PAD .....	W-22 - W-23
AWGS	ALUMINUM WELD GROUND STUDS .....	W-53
AWM	ALUMINUM WELD TERMINAL, (1) CABLE TO FLAT PAD .....	W-28 - W-30
AWM-45	ALUMINUM WELD TERMINAL, (1) CABLE TO 45° PAD .....	W-31 - W-33
AWM-90	ALUMINUM WELD TERMINAL, (1) CABLE TO 90° PAD .....	W-34 - W-36
AWMM	ALUMINUM WELD TERMINAL, (2) CABLES TO FLAT PAD .....	W-37 - W-39
AWMM-45	ALUMINUM WELD TERMINAL, (2) CABLES TO 45° PAD .....	W-40 - W-42
AWMM-90	ALUMINUM WELD TERMINAL, (2) CABLES TO 90° PAD .....	W-43 - W-45

# SUBSTATION PRODUCTS

## ALPHA-NUMERIC LISTING BY SERIES NUMBER

SERIES #	TYPE	PAGE
AWNP	ALUMINUM WELD END CAP / CORONA BELL .....	W-46
AWO	ALUMINUM WELD TERMINAL PIPE TO FLAT .....	W-25.1
AWPX	ALUMINUM WELD BUS SUPPORT VERTICAL TAKE-OFF .....	W-51
AWT	ALUMINUM WELD TEE, PIPE RUN TO PIPE TAP .....	W-02 - W-03
AWT	ALUMINUM WELD TEE, PIPE RUN TO CABLE TAP .....	W-10
AWTA-15	ALUMINUM WELD TEE, PIPE RUN TO PIPE TAP AT 15° .....	W-04 - W-05
AWTA-15-15	ALUMINUM WELD TEE, PIPE RUN TO (2) PIPE TAPS AT 15° .....	W-06 - W-07
AWY-15-15	ALUMINUM WELD TEE, PIPE RUN TO (2) PIPE TAPS Y STYLE .....	W-01
AYTF	COMPRESSION TEE, CABLE TO FLAT .....	W-55
FB	FLEXIBLE BRAID ASSEMBLIES .....	B-27
GB-9557	COPPER TIN PLATED TRANSITION PLATES .....	B-57
KBNT	BRONZE BOLTED TEE, PIPE RUN TO FLAT PAD TAP .....	B-04
KC	BRONZE BOLTED COUPLER, PIPE TO PIPE .....	B-10
KE-45	BRONZE BOLTED ELBOW, PIPE TO PIPE, 45° .....	B-11
KE-90	BRONZE BOLTED ELBOW, PIPE TO PIPE, 90° .....	B-11
KFI	BRONZE DRIVE FIT END CAP / CORONA BELL .....	B-01
KL	BRONZE BOLTED TERMINAL, PIPE TO FLAT PAD .....	B-15
KL-45	BRONZE BOLTED TERMINAL, PIPE TO 45° PAD .....	B-16
KL-90	BRONZE BOLTED TERMINAL, PIPE TO 90° PAD .....	B-17
KLC	BRONZE BOLTED TERMINAL, PIPE TO FLAT CENTER FORMED PAD .....	B-18
KR	BRONZE BOLTED COUPLER, PIPE TO CABLE .....	B-12
KSBD	BRONZE BOLTED SINGLE CABLE BUS SUPPORT .....	B-43
KSBE	BRONZE BOLTED CLAMP OR SLIDE BUS SUPPORT .....	B-41
KSLC	BRONZE BOLTED STUD CONNECTOR TO FLAT PAD .....	B-28 - B-29
KSLF	BRONZE BOLTED STUD CONNECTOR TO 90° PAD .....	B-30 - B-31
KTB	BRONZE SLIDE BUS SUPPORT .....	B-40
KTH	BRONZE BOLTED TEE, PIPE RUN TO PIPE TAP .....	B-02
KTH-15	BRONZE BOLTED TEE, PIPE RUN TO PIPE TAP AT 15° .....	B-03
KTH-15-15	BRONZE BOLTED TEE, PIPE RUN TO (2) PIPE TAPS AT 15° .....	B-03
KVBS	BRONZE BOLTED VERTICAL BUS SUPPORT .....	B-42
NTB	BRONZE GROUND CONNECTOR, PIPE TO BRAID .....	B-55
PT	BRONZE BOLTED PARALLEL CLAMP, NON U-BOLT STYLE .....	B-45
SPAC	ALUMINUM BUS SUPPORT BOLT CIRCLE HEIGHT ADAPTER .....	A-67

# SUBSTATION PRODUCTS

## ALPHA-NUMERIC LISTING BY SERIES NUMBER

SERIES #	TYPE	PAGE
<b>SPAE</b>	ALUMINUM BUS SUPPORT BOLT CIRCLE ADAPTER .....	<b>A-67</b>
<b>VEX</b>	BRONZE BOLTED EXPANSION COUPLER .....	<b>B-13</b>
<b>VEZ</b>	BRONZE BOLTED EXPANSION TERMINAL .....	<b>B-19</b>
<b>VGG</b>	FLEXIBLE BRAID ASSEMBLIES .....	<b>B-26</b>
<b>VGH</b>	BRONZE GROUND CONNECTOR, PIPE TO FLAT .....	<b>B-56</b>
<b>VIC</b>	BRONZE BOLTED STUD CONNECTOR TO VERTICAL PIPE .....	<b>B-32</b>
<b>VIC-90</b>	BRONZE BOLTED STUD CONNECTOR TO PIPE AT 90° .....	<b>B-33</b>
<b>VID</b>	BRONZE BOLTED STUD CONNECTOR TO VERTICAL CABLE .....	<b>B-34</b>
<b>VID-90</b>	BRONZE BOLTED STUD CONNECTOR TO CABLE AT 90° .....	<b>B-35</b>
<b>VIF</b>	BRONZE BOLTED EXPANSION, STUD TO PIPE .....	<b>B-36</b>
<b>VIF-90</b>	BRONZE BOLTED EXPANSION, STUD TO PIPE, 90° .....	<b>B-37</b>
<b>VLS</b>	COPPER FLEXIBLE EXPANSION STRAPS .....	<b>B-25</b>
<b>VWU</b>	BRONZE BOLTED PARALLEL CLAMP, U-BOLT STYLE .....	<b>B-14</b>
<b>WAFG</b>	ALUMINUM WELD EXPANSION COUPLER .....	<b>W-14</b>
<b>WALB</b>	ALUMINUM WELD COUPLER, PIPE TO PIPE (CAST VERSION) .....	<b>W-11</b>
<b>WASC</b>	ALUMINUM WELD SPHERICAL COUPLER, PIPE TO PIPE .....	<b>W-15</b>
<b>WAXB</b>	ALUMINUM WELD BUS SUPPORT SINGLE RING STYLE .....	<b>W-50</b>
<b>WVLS12</b>	ALUMINUM WELDED ADJUSTABLE ANGLE EXPANSION, STUD TO PIPE .....	<b>A-50</b>
<b>WVLS20</b>	ALUMINUM WELDED ADJUSTABLE ANGLE EXPANSION, STUD TO PIPE .....	<b>A-51</b>

# SUBSTATION PRODUCTS BY SECTION

SERIES #	WELD ALUMINUM	PAGE
PICTORIAL	WELD ALUMINUM TEE CONNECTORS .....	W-P1
PICTORIAL	WELD ALUMINUM COUPLERS .....	W-P2
PICTORIAL	WELD ALUMINUM TERMINALS .....	W-P3
PICTORIAL	WELD ALUMINUM BUS SUPPORTS .....	W-P4
PICTORIAL	WELD ALUMINUM MISCELLANEOUS .....	W-P5
AWY-15-15	ALUMINUM WELD TEE, PIPE RUN TO (2) PIPE TAPS, Y STYLE .....	W-01
AWT	ALUMINUM WELD TEE, PIPE RUN TO PIPE TAP .....	W-02 - W-03
AWTA-15	ALUMINUM WELD TEE, PIPE RUN TO PIPE TAP AT 15° .....	W-04 - W-05
AWTA-15-15	ALUMINUM WELD TEE, PIPE RUN TO (2) PIPE TAPS AT 15° .....	W-06 - W-07
AWBT	ALUMINUM WELD TEE, PIPE RUN TO FLAT PAD TAP .....	W-08
AWBT-90	ALUMINUM WELD TEE, PIPE RUN TO FLAT PAD TAP AT 90° .....	W-09
AWT	ALUMINUM WELD TEE, PIPE RUN TO CABLE TAP .....	W-10
WALB	ALUMINUM WELD COUPLER, PIPE TO PIPE (CAST VERSION) .....	W-11
AWCE	ALUMINUM WELD COUPLER, PIPE TO PIPE (EXTRUDED VERSION) .....	W-12
AWCL	ALUMINUM WELD COUPLER, PIPE TO PIPE (EXTRUDED VERSION) .....	W-12
AWBE-45	ALUMINUM WELD ELBOW, PIPE TO PIPE, 45° .....	W-13
AWBE-90	ALUMINUM WELD ELBOW, PIPE TO PIPE, 90° .....	W-13
WAFG	ALUMINUM WELD EXPANSION COUPLER .....	W-14
WASC	ALUMINUM WELD SPHERICAL COUPLER, PIPE TO PIPE .....	W-15
AWDC	ALUMINUM WELD COUPLER, PIPE TO CABLE .....	W-16
AFRW	ALUMINUM WELD A-FRAME ASSEMBLIES .....	W-17
AWF	ALUMINUM WELD TERMINAL, PIPE TO FLAT PAD .....	W-18 - W-19
AWF-45	ALUMINUM WELD TERMINAL, PIPE TO 45° PAD .....	W-20 - W-21
AWF-90	ALUMINUM WELD TERMINAL, PIPE TO 90° PAD .....	W-22 - W-23
AWEE	ALUMINUM WELD TERMINAL, PIPE TO FLAT CENTER FORMED PAD .....	W-24 - W-25
AWEPC	ALUMINUM WELD EXPANSION TERMINAL .....	W-26 - W-27
AWEPF	ALUMINUM WELD EXPANSION TERMINAL, PIPE TO SIDE FORMED FLAT .....	W-27.1
AWM	ALUMINUM WELD TERMINAL, (1) CABLE TO FLAT PAD .....	W-28 - W-30
AWM-45	ALUMINUM WELD TERMINAL, (1) CABLE TO 45° PAD .....	W-31 - W-33
AWM-90	ALUMINUM WELD TERMINAL, (1) CABLE TO 90° PAD .....	W-34 - W-36
AWMM	ALUMINUM WELD TERMINAL, (2) CABLES TO FLAT PAD .....	W-37 - W-39
AWMM-45	ALUMINUM WELD TERMINAL, (2) CABLES TO 45° PAD .....	W-40 - W-42
AWMM-90	ALUMINUM WELD TERMINAL, (2) CABLES TO 90° PAD .....	W-43 - W-45
AWNP	ALUMINUM WELD END CAP / CORONA BELL .....	W-46
AWBP	ALUMINUM WELD BUS SUPPORT LAY IN STYLE .....	W-47
AWBS	ALUMINUM WELD BUS SUPPORT RING STYLE .....	W-48



# SUBSTATION PRODUCTS BY SECTION

SERIES #	WELD ALUMINUM (continued)	PAGE
AWBQ	ALUMINUM WELD BUS SUPPORT HOOK-ON STYLE . . . . .	W-49
WAXB	ALUMINUM WELD BUS SUPPORT SINGLE RING STYLE . . . . .	W-50
AWPX	ALUMINUM WELD BUS SUPPORT VERTICAL TAKE-OFF . . . . .	W-51
AWECC	ALUMINUM WELD EXPANSION BUS SUPPORT . . . . .	W-52
AWGS	ALUMINUM WELD GROUND STUDS . . . . .	W-53
ALCC	COMPRESSION TERMINALS CABLE TO FLAT . . . . .	W-54
AYTF	COMPRESSION TEE CABLE TO FLAT . . . . .	W-55

SERIES #	BOLTED ALUMINUM	PAGE
PICTORIAL	BOLTED ALUMINUM TEE CONNECTORS . . . . .	A-P1
PICTORIAL	BOLTED ALUMINUM COUPLERS . . . . .	A-P2
PICTORIAL	BOLTED ALUMINUM TERMINALS . . . . .	A-P3
PICTORIAL	BOLTED ALUMINUM STUD CONNECTORS . . . . .	A-P4
PICTORIAL	BOLTED ALUMINUM SUPPORTS . . . . .	A-P5
PICTORIAL	BOLTED ALUMINUM MISCELLANEOUS . . . . .	A-P6
AKFI	ALUMINUM WELD DRIVE FIT END CAP / CORONA BELL . . . . .	A-01
ABT	ALUMINUM BOLTED TEE, PIPE RUN TO PIPE TAP . . . . .	A-02 - A-03
ABT-15	ALUMINUM BOLTED TEE, PIPE RUN TO PIPE TAP AT 15° . . . . .	A-04 - A-05
ABT-15-15	ALUMINUM BOLTED TEE, PIPE RUN TO (2) PIPE TAPS AT 15° . . . . .	A-06 - A-07
ABNT	ALUMINUM BOLTED TEE, PIPE RUN TO FLAT PAD TAP . . . . .	A-08 - A-09
ABTT	ALUMINUM BOLTED TEE, PIPE RUN TO (2) CABLE TAPS . . . . .	A-10
AB2T	ALUMINUM BOLTED TEE, PIPE RUN TO (2) CABLE TAPS . . . . .	A-11
A6MT	ALUMINUM BOLTED TEE, PIPE RUN TO A CABLE TAP . . . . .	A-12 - A-14
A6MT	ALUMINUM BOLTED TEE, CABLE RUN TO A CABLE TAP . . . . .	A-15
A7MT	ALUMINUM BOLTED TEE, CABLE RUN TO A FLAT PAD TAP . . . . .	A-16
AFG	ALUMINUM BOLTED EXPANSION COUPLER . . . . .	A-17
ABC	ALUMINUM BOLTED COUPLER, PIPE TO PIPE . . . . .	A-18 - A-19
ABCE-45	ALUMINUM BOLTED ELBOW, PIPE TO PIPE, 45° . . . . .	A-20
ABCE-90	ALUMINUM BOLTED ELBOW, PIPE TO PIPE, 90° . . . . .	A-20
ABR	ALUMINUM BOLTED COUPLER, PIPE TO CABLE . . . . .	A-21 - A-23
BRU	ALUMINUM BOLTED PARALLEL CLAMP, U-BOLT STYLE . . . . .	A-24
ACS2	ALUMINUM BOLTED CABLE SPACER . . . . .	A-25
ABR	ALUMINUM BOLTED COUPLER, CABLE TO CABLE . . . . .	A-26
ABGS	ALUMINUM BOLTED GROUND STUDS . . . . .	A-27
ABN	ALUMINUM BOLTED TERMINAL, PIPE TO FLAT PAD . . . . .	A-28 - A-29

# SUBSTATION PRODUCTS BY SECTION

SERIES #	BOLTED ALUMINUM (continued)	PAGE
ABN-45	ALUMINUM BOLTED TERMINAL, PIPE TO 45° PAD . . . . .	A-30 - A-31
ABN-90	ALUMINUM BOLTED TERMINAL, PIPE TO 90° PAD . . . . .	A-32 - A-33
ABNC	ALUMINUM BOLTED TERMINAL, PIPE TO FLAT CENTER FORMED PAD . . . . .	A-34 - A-35
ABEPC	ALUMINUM BOLTED EXPANSION TERMINAL . . . . .	A-36
A7M	ALUMINUM BOLTED TERMINAL, (1) CABLE TO FLAT PAD . . . . .	A-37
A7M-45	ALUMINUM BOLTED TERMINAL, (1) CABLE TO 45° PAD . . . . .	A-38
A7M-90	ALUMINUM BOLTED TERMINAL, (1) CABLE TO 90° PAD . . . . .	A-39
A7MM1	ALUMINUM BOLTED TERMINAL, (2) CABLES, (1) CAP TO FLAT PAD . . . . .	A-40
A7MM	ALUMINUM BOLTED TERMINAL, (2) CABLES, (2) CAPS TO FLAT PAD . . . . .	A-41
A7MM1-90	ALUMINUM BOLTED TERMINAL, (2) CABLES, (1) CAP TO 90° PAD . . . . .	A-42
A7MM-90	ALUMINUM BOLTED TERMINAL, (2) CABLES, (2) CAPS TO 90° PAD . . . . .	A-43
AVIE	ALUMINUM BOLTED STUD CONNECTOR TO FLAT PAD . . . . .	A-44
AVIE-90	ALUMINUM BOLTED STUD CONNECTOR TO 90° PAD . . . . .	A-45
AVIC	ALUMINUM BOLTED STUD CONNECTOR TO VERTICAL PIPE . . . . .	A-46
AVIC-90	ALUMINUM BOLTED STUD CONNECTOR TO PIPE AT 90° . . . . .	A-47
AVID	ALUMINUM BOLTED STUD CONNECTOR TO VERTICAL CABLE . . . . .	A-48
AVID-90	ALUMINUM BOLTED STUD CONNECTOR TO CABLE AT 90° . . . . .	A-49
WVLS12	ALUMINUM WELDED ADJUSTABLE ANGLE EXPANSION, STUD TO PIPE . . . . .	A-50
WVLS20	ALUMINUM WELDED ADJUSTABLE ANGLE EXPANSION, STUD TO PIPE . . . . .	A-51
AVLS12	ALUMINUM BOLTED ADJUSTABLE ANGLE EXPANSION, STUD TO PIPE . . . . .	A-52
AVLS20	ALUMINUM BOLTED ADJUSTABLE ANGLE EXPANSION, STUD TO PIPE . . . . .	A-53
ASPKG	ALUMINUM BOLTED EXPANSION, STUD TO PIPE . . . . .	A-54
AVLS	ALUMINUM FLEXIBLE EXPANSION STRAPS . . . . .	A-55
7020 SERIES	ALUMINUM WELDED FLEXIBLE EXPANSION JUMPERS . . . . .	A-56
7021 SERIES	ALUMINUM WELDED FLEXIBLE EXPANSION JUMPERS . . . . .	A-57
ATB	ALUMINUM SLIDE BUS SUPPORT . . . . .	A-58
ASBC	ALUMINUM BOLTED CLAMP OR SLIDE BUS SUPPORT . . . . .	A-59
ASBCC	ALUMINUM BOLTED CLAMP BUS SUPPORT COUPLER . . . . .	A-60
ASBCE	ALUMINUM BOLTED SLIDE BUS SUPPORT COUPLER . . . . .	A-61
AVBS	ALUMINUM BOLTED VERTICAL BUS SUPPORT . . . . .	A-62
APPB	ALUMINUM BOLTED EXPANSION BUS SUPPORT . . . . .	A-63
ASBD	ALUMINUM BOLTED SINGLE CABLE BUS SUPPORT . . . . .	A-64
ASBP	ALUMINUM BOLTED DOUBLE CABLE BUS SUPPORT . . . . .	A-65
APP	ALUMINUM BOLTED PARALLEL CLAMP, NON U-BOLT STYLE . . . . .	A-66
SPAE	ALUMINUM BUS SUPPORT BOLT CIRCLE ADAPTOR . . . . .	A-67
SPAC	ALUMINUM BUS SUPPORT BOLT CIRCLE HEIGHT ADAPTER . . . . .	A-67

# SUBSTATION PRODUCTS BY SECTION

SERIES #	BRONZE	PAGE
PICTORIAL	BRONZE TEE CONNECTORS .....	B-P1
PICTORIAL	BRONZE COUPLERS .....	B-P2
PICTORIAL	BRONZE TERMINALS .....	B-P3
PICTORIAL	BRONZE FLEXIBLE .....	B-P4
PICTORIAL	BRONZE STUD CONNECTORS .....	B-P5
PICTORIAL	BRONZE SUPPORTS .....	B-P6
PICTORIAL	GROUND CONNECTORS .....	B-P7
PICTORIAL	MISCELLANEOUS BRONZE .....	B-P8
KFI	BRONZE DRIVE FIT END CAP / CORONA BELL .....	B-01
KTH	BRONZE BOLTED TEE, PIPE RUN TO PIPE TAP .....	B-02
KTH-15	BRONZE BOLTED TEE, PIPE RUN TO PIPE TAP AT 15° .....	B-03
KTH-15-15	BRONZE BOLTED TEE, PIPE RUN TO (2) PIPE TAPS AT 15° .....	B-03
KBNT	BRONZE BOLTED TEE, PIPE RUN TO FLAT PAD TAP .....	B-04
6MT	BRONZE BOLTED TEE, PIPE RUN TO CABLE TAP .....	B-05
6MT	BRONZE BOLTED TEE, CABLE RUN TO CABLE TAP .....	B-06
6MK	BRONZE BOLTED UNIVERSAL TEE / COUPLER, PIPE OR CABLE .....	B-07
7MT	BRONZE BOLTED TEE, CABLE RUN TO FLAT PAD TAP .....	B-08
7MK	BRONZE BOLTED TEE / TERMINAL, PIPE OR CABLE RUN TO PAD TAP .....	B-09
KC	BRONZE BOLTED COUPLER, PIPE TO PIPE .....	B-10
KE-45	BRONZE BOLTED ELBOW, PIPE TO PIPE, 45° .....	B-11
KE-90	BRONZE BOLTED ELBOW, PIPE TO PIPE, 90° .....	B-11
KR	BRONZE BOLTED COUPLER, PIPE TO CABLE .....	B-12
VEX	BRONZE BOLTED EXPANSION COUPLER .....	B-13
VWU	BRONZE BOLTED PARALLEL CLAMP, U-BOLT STYLE .....	B-14
KL	BRONZE BOLTED TERMINAL, PIPE TO FLAT PAD .....	B-15
KL-45	BRONZE BOLTED TERMINAL, PIPE TO 45° PAD .....	B-16
KL-90	BRONZE BOLTED TERMINAL, PIPE TO 90° PAD .....	B-17
KLC	BRONZE BOLTED TERMINAL, PIPE TO FLAT CENTER FORMED PAD .....	B-18
VEZ	BRONZE BOLTED EXPANSION TERMINAL .....	B-19
7M	BRONZE BOLTED TERMINAL, (1) CABLE TO FLAT PAD .....	B-20
7M-45	BRONZE BOLTED TERMINAL, (1) CABLE TO 45° PAD .....	B-21
7M-90	BRONZE BOLTED TERMINAL, (1) CABLE TO 90° PAD .....	B-22
7MM	BRONZE BOLTED TERMINAL, (2) CABLES, (2) CAPS TO FLAT PAD .....	B-23
7MM1	BRONZE BOLTED TERMINAL, (2) CABLES, (1) CAP TO FLAT PAD .....	B-23
7MM1-90	BRONZE BOLTED TERMINAL, (2) CABLES, (1) CAP TO 90° PAD .....	B-24
7MM-90	BRONZE BOLTED TERMINAL, (2) CABLES, (2) CAPS TO 90° PAD .....	B-24

# SUBSTATION PRODUCTS BY SECTION

SERIES #	BRONZE (continued)	PAGE
VLS	COPPER FLEXIBLE EXPANSION STRAPS .....	B-25
VGG	FLEXIBLE BRAID ASSEMBLIES .....	B-26
FB	FLEXIBLE BRAID ASSEMBLIES .....	B-27
KSLC	BRONZE BOLTED STUD CONNECTOR TO FLAT PAD .....	B-28 - B-29
KSLF	BRONZE BOLTED STUD CONNECTOR TO 90° PAD .....	B-30 - B-31
VIC	BRONZE BOLTED STUD CONNECTOR TO VERTICAL PIPE .....	B-32
VIC-90	BRONZE BOLTED STUD CONNECTOR TO PIPE AT 90° .....	B-33
VID	BRONZE BOLTED STUD CONNECTOR TO VERTICAL CABLE .....	B-34
VID-90	BRONZE BOLTED STUD CONNECTOR TO CABLE AT 90° .....	B-35
VIF	BRONZE BOLTED EXPANSION, STUD TO PIPE .....	B-36
VIF-90	BRONZE BOLTED EXPANSION, STUD TO PIPE, 90° .....	B-37
5M	BRONZE BOLTED STUD CONNECTOR TO PIPE OR CABLE .....	B-38
5M-2	BRONZE BOLTED STUD CONNECTOR TO (2) PIPES OR CABLES .....	B-39
KTB	BRONZE SLIDE BUS SUPPORT .....	B-40
KSBE	BRONZE BOLTED CLAMP OR SLIDE BUS SUPPORT .....	B-41
KVBS	BRONZE BOLTED VERTICAL BUS SUPPORT .....	B-42
KSBD	BRONZE BOLTED SINGLE CABLE BUS SUPPORT .....	B-43
8M	BRONZE BOLTED SINGLE CABLE OR PIPE BUS SUPPORT .....	B-44
PT	BRONZE BOLTED PARALLEL CLAMP, NON U-BOLT STYLE .....	B-45
2755	BRONZE GROUND CONNECTOR, PIPE TO SINGLE CABLE .....	B-46 - B-47
2752	BRONZE GROUND CONNECTOR, PIPE TO (2) OR (3) CABLES .....	B-48 - B-49
2709T-1	BRONZE GROUND CONNECTOR, CABLE TO FLAT (CAP ONLY) .....	B-50
2709-1	BRONZE GROUND CONNECTOR, CABLE TO FLAT .....	B-51
2709T-2	BRONZE GROUND CONNECTOR, (2) CABLES TO FLAT (CAP ONLY) .....	B-52
2709-2	BRONZE GROUND CONNECTOR, (2) CABLES TO FLAT .....	B-53
2710-2	BRONZE GROUND CONNECTOR, (2) CABLES, (2) SCREWS TO FLAT .....	B-54
NTB	BRONZE GROUND CONNECTOR, PIPE TO BRAID .....	B-55
VGH	BRONZE GROUND CONNECTOR, PIPE TO FLAT .....	B-56
GB9557	TRANSITION PLATES .....	B-57

# SUBSTATION PRODUCTS BY SECTION

SERIES #	EXTRA HIGH VOLTAGE	PAGE
PICTORIAL	EHV CONNECTORS .....	EHV-P1
PICTORIAL	EHV CONNECTORS .....	EHV-P2
PICTORIAL	EHV CONNECTORS .....	EHV-P3
PICTORIAL	EHV CONNECTORS .....	EHV-P4
PICTORIAL	EHV CONNECTORS .....	EHV-P5
PICTORIAL	EHV CONNECTORS .....	EHV-P6
VAPP	PAD SHIELD .....	EHV-01
WAA-CF	WELD TEE CONNECTOR PIPE TO PIPE .....	EHV-02
WAA-15-CF	WELD VEE CONNECTOR PIPE RUN TO (2) PIPE TAPS AT 15° .....	EHV-03
WAV-15-CF	WELD TEE CONNECTOR PIPE RUN TO PIPE TAP AT 15° .....	EHV-04
WAY-90-CF	WELD TEE CONNECTOR PIPE RUN TO FLAT TAP .....	EHV-05
WALB-CF	WELD COUPLER PIPE TO PIPE .....	EHV-06
WAKA-90-CF	WELD ELBOW PIPE TO PIPE, 90° .....	EHV-07
WAKA-45-CF	WELD ELBOW PIPE TO PIPE, 45° .....	EHV-07
WASC-CF	WELD SPHERICAL COUPLER PIPE TO PIPE .....	EHV-08
WAFG-CF	WELD EXPANSION COUPLER PIPE TO PIPE (345kv) .....	EHV-09
WAFG-CR-CF	WELD EXPANSION COUPLER PIPE TO PIPE (500kv) .....	EHV-10
WAP-CF	WELD TERMINAL PIPE TO FLAT .....	EHV-11
WAP-CT-CF	WELD TERMINAL PIPE TO FLAT .....	EHV-12
WAP-45-CF	WELD TERMINAL PIPE TO FLAT, 45° .....	EHV-13
WAP-90-CF	WELD TERMINAL PIPE TO FLAT, 90° .....	EHV-14
WAFF-CF	WELD EXPANSION TERMINAL PIPE TO FLAT (345kv) .....	EHV-15
WAFF-B-CF	WELD EXPANSION TERMINAL PIPE TO FLAT (345kv) .....	EHV-16
WAFF-A-CF	WELD EXPANSION TERMINAL PIPE TO FLAT - ADJUSTABLE (345kv) .....	EHV-17
WAFF-CT-CR-CF	WELD EXPANSION COUPLER PIPE TO PIPE (500kv) .....	EHV-18
WAGL, 45, 90-CF	WELD TERMINAL CABLE TO FLAT, STRAIGHT, 45°, 90° .....	EHV-19
WAGL-2, 45, 90-CF	WELD TERMINAL (2) CABLES TO FLAT, STRAIGHT, 45°, 90° .....	EHV-20
WAXB-CF	WELD OR SLIDE BUS SUPPORT PIPE TO INSULATOR .....	EHV-21
WAXP-CF	WELD OR SLIDE BUS SUPPORT PIPE TO INSULATOR .....	EHV-22
WAXC-CF	WELD OR SLIDE HOOK-ON BUS SUPPORT PIPE TO INSULATOR .....	EHV-23
WAST-CF	WELD SLIDE BUS SUPPORT PIPE TO INSULATOR .....	EHV-24
WAXY-CF	WELD VERTICAL BUS SUPPORT PIPE TO INSULATOR .....	EHV-25
WAFS-CF	WELD EXPANSION BUS SUPPORT PIPE TO INSULATOR (345kv) .....	EHV-26
WAFS-CR-CF	WELD EXPANSION BUS SUPPORT PIPE TO INSULATOR (500kv) .....	EHV-27
WP-CF	WELD GROUND STUD .....	EHV-28

# SUBSTATION PRODUCTS BY SECTION

SERIES #	EXTRA HIGH VOLTAGE (continued)	PAGE
WVM-CF	WELD CORONA BELL . . . . .	EHV-29
AVA-CF	BOLTED TEE CONNECTOR PIPE RUN TO PIPE TAP . . . . .	EHV-30
AVAA-CF	BOLTED TEE CONNECTOR PIPE RUN TO FLAT TAP . . . . .	EHV-31
AVB-CF	BOLTED TEE CONNECTOR PIPE RUN TO CABLE TAP . . . . .	EHV-32
AVB-CF	BOLTED TEE CONNECTOR PIPE RUN TO CABLE TAP . . . . .	EHV-33
AVC-CF	BOLTED TEE CONNECTOR CABLE RUN TO CABLE TAP . . . . .	EHV-34
AVC-CF	BOLTED TEE CONNECTOR CABLE RUN TO CABLE TAP . . . . .	EHV-35
AVD-CF	BOLTED TEE CONNECTOR PIPE RUN TO FLAT TAP . . . . .	EHV-36
AVLA-CF	BOLTED COUPLER PIPE TO PIPE . . . . .	EHV-37
AVKA-45-CF	BOLTED ELBOW PIPE TO PIPE, 45° . . . . .	EHV-38
AVKA-90-CF	BOLTED ELBOW PIPE TO PIPE, 90° . . . . .	EHV-38
AFG-CF	BOLTED EXPANSION COUPLER PIPE TO PIPE (345kv) . . . . .	EHV-39
AFG-CR-CF	BOLTED EXPANSION COUPLER PIPE TO PIPE (500kv) . . . . .	EHV-40
AVP-90-CF	BOLTED TERMINAL PIPE TO FLAT, 90° . . . . .	EHV-42
AFF-CT-CF	BOLTED EXPANSION TERMINAL PIPE TO FLAT (345kv) . . . . .	EHV-43
AFF-CT-CR-CF	BOLTED EXPANSION TERMINAL PIPE TO FLAT (500kv) . . . . .	EHV-44
AGL-CF	BOLTED TERMINAL CABLE TO FLAT . . . . .	EHV-45
AGL-2-CF	BOLTED TERMINAL (2) CABLES TO FLAT . . . . .	EHV-46
AVIE-CF	BOLTED STUD CONNECTOR STUD TO FLAT . . . . .	EHV-47
AVXE-CF	BOLTED BUS SUPPORT CLAMP OR SLIP FIT PIPE TO INSULATOR . . . . .	EHV-48
AVS-CF	BOLTED EXPANSION BUS SUPPORT PIPE TO INSULATOR (345kv) . . . . .	EHV-49
AVS-CR-CF	BOLTED EXPANSION BUS SUPPORT PIPE TO INSULATOR (500kv) . . . . .	EHV-50
AVXA-CF	BOLTED BUS SUPPORT CABLE TO INSULATOR . . . . .	EHV-51
AVXA-2-CF	BOLTED BUS SUPPORT (2) CABLES TO INSULATOR . . . . .	EHV-52
AS-CF	BOLTED CABLE SPACER . . . . .	EHV-53
ASLA-CF	BOLTED CABLE SPACER TEE CONNECTOR . . . . .	EHV-54
ASLA-90-CF	BOLTED CABLE SPACER TEE CONNECTOR, 90° . . . . .	EHV-55
AP-CF	BOLTED GROUND STUD . . . . .	EHV-56
AVM-CF	BOLTED CORONA BELL . . . . .	EHV-57
AVW-CF	PARALLEL CLAMP CABLE TO CABLE . . . . .	EHV-58

# GENERAL REFERENCE



## RECOMMENDED TORQUE

SIZE	TORQUE INCH POUNDS
SILICON BRONZE & STAINLESS STEEL	
3/8-16	240
1/2-13	480
5/8-11	660
ALUMINUM (LUBRICATED)	
3/8-16	144
1/2-13	300
5/8-11	480

## CAST ALLOYS

ALLOY	DESIGNATION	USED FOR	
ALUMINUM	ALUMINUM ASSOCIATION	A100	COMPRESSION
		356-T6	ALL OTHERS
BRONZE	COPPER DEVELOPMENT ASSOCIATION  NEMA CC1 85-5-5-5	833	BRONZE
		836	
		844	

## WROUGHT ALLOYS

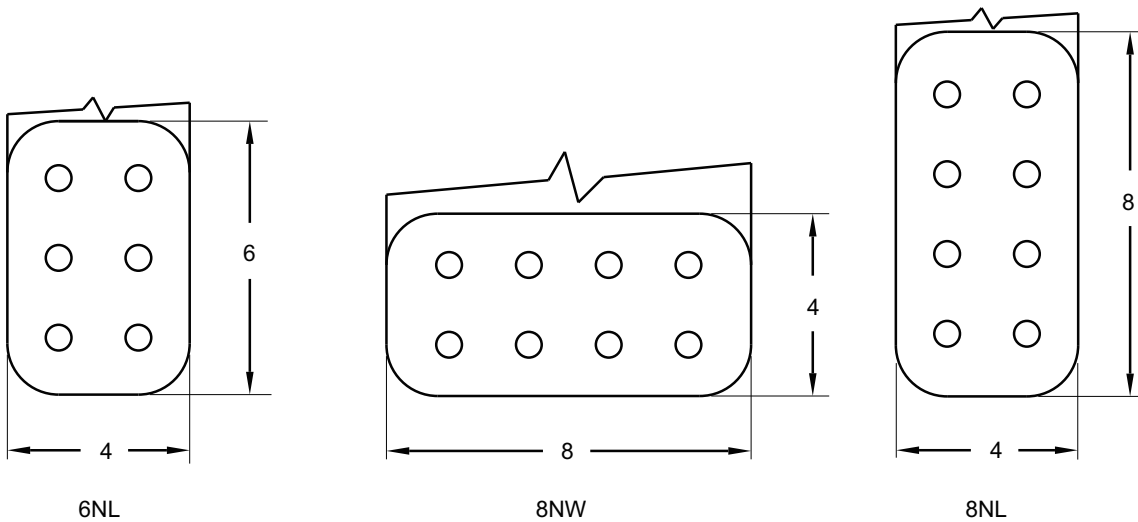
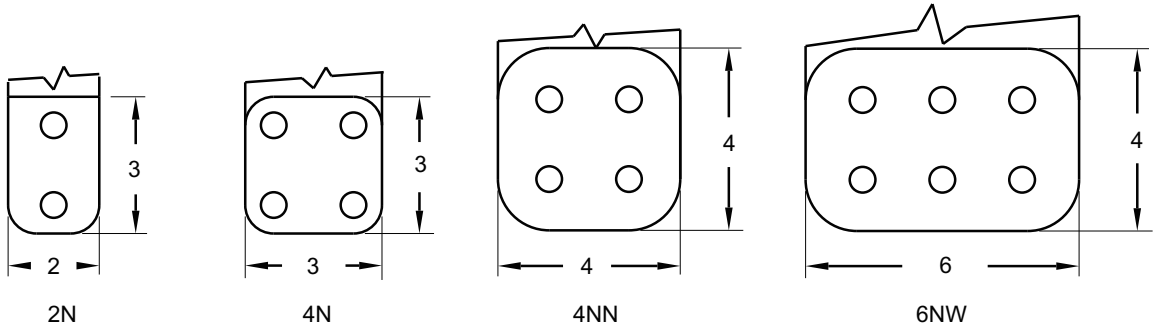
OTHER THAN HARDWARE

ALLOY	DESIGNATION	USED FOR	
ALUMINUM	ALUMINUM ASSOCIATION	1100-0	ALUMINUM STRAPS
		6063-T6	PIPE
COPPER	COPPER DEVELOPMENT ASSOCIATION	110	COPPER STRAPS
BRAID	TINNED, FLAT, BRAIDED COPPER CABLE		BRAIDS
ST. STL.	17-7 PH, PRECIPITATION HARDENABLE		ANTI-STATIC SPRINGS

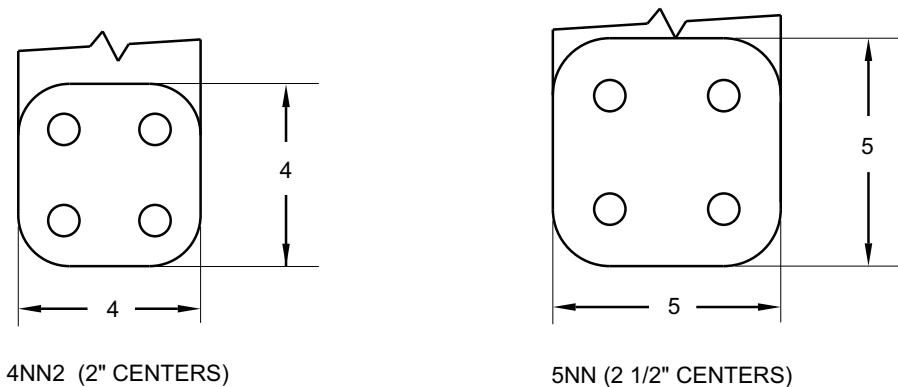


## PAD DESIGNATIONS

ALL HOLES IN THESE PADS ARE 9/16" DIAMETER ON 1 3/4" CENTERS.



ALL HOLES IN THESE PADS ARE 11/16" DIAMETER



## BOLTED ALUMINUM CABLE RANGES

CODE	CABLE SIZE		CABLE DIA. MIN - MAX
	AAC	ACSR	
25	#4 - 250	#4 - 4/0	.232 - .575
40	1/0 - 400	1/0 - 336	.368 - .741
100	250 - 1000	300 - 795	.567 - 1.150
150	556 - 1500	636 - 1272	.856 - 1.412
250	1100 - 2500	1113 - 2300	1.209 - 1.823

## COPPER CABLE RANGES

CODE	CABLE SIZE	CABLE DIA. MIN - MAX
60	#4 - 600	.232 - .893
100	4/0 - 1000	.528 - 1.152
150	600 - 1500	.893 - 1.412
200	500 - 2000	.813 - 1.632

CABLE SIZES ARE KCMIL



## WELD CABLE RANGES

CODE	CABLE SIZE		CABLE DIA.
	AAC	ACSR	MIN - MAX
1/0	1/0	1/0	.368 - .393
2/0	2/0	2/0	.414 - .460
3/0	3/0	3/0	.464 - .502
4/0	4/0	4/0	.522 - .566
26	250	266.8 (18/1)	.567 - .609
30	300	266.8 (26/7)	.629 - .660
35	336.4 - 350	300 (18/1) - 336.4 (18/1)	.666 - .700
40	397.5 - 400	336.4 (26/7) - 397.5 (18/1)	.721 - .743
47	450 - 477	397.5 (24/7) & (30/7)	.770 - .806
55	500 - 550	397.5 (30/7) - 477 (26/7)	.806 - .858
60	556.5 - 600	477 (26/7) - 556 (24/7)	.856 - .915
70	636 - 700	556.5 (26/7) - 605 (26/7)	.918 - .974
79	750 - 795	636 (24/7) - 666.6 (26/7)	.977 - 1.030
87	874.5	715.5	1.036 - 1.081
95	900 - 954	795 (24/7) & (30/19)	1.092 - 1.146
103	1000 - 1033.5	900 (54/7) - 954 (54/7)	1.152 - 1.196
119	1100 - 1192.5	1033.5 - 1113 (45/7)	1.203 - 1.259
130	1200 - 1300	1113 (45/7) - 1192.5 (54/19)	1.259 - 1.334
143	1351.5 - 1431	1272 - 1351 (45/7)	1.340 - 1.398
150	1431 - 1500	1272 (54/19) - 1351.5 (45/7)	1.364 - 1.412
160	1510.5 - 1600	1351.5 (54/19) - 1510.5 (45/7)	1.415 - 1.478
180	1700 - 1800	1510.5 (54/19) - 1590	1.492 - 1.548
200	1900 - 2000	1780 (72/7) & (84/19)	1.571 - 1.630
225	2250	2167 (72/7)	1.667 - 1.735
230	2300	2156 (84/19) - 2312	1.751 - 1.802
251	2500 - 2515	N/A	1.820 - 1.880
300	2750 - 3000	N/A	1.912 - 1.996

CABLE SIZES ARE KCMIL

## PIPE CHART

PIPE		DIAMETER		AMPS NEMA CC-1 OUTDOOR
CODE	SIZE	OD	ID	
<b>SCHEDULE 40 ALUMINUM PIPE, SPS</b>				
E	3/4	1.050	.824	495
F	1	1.315	1.049	650
G	1 1/4	1.660	1.380	810
H	1 1/2	1.900	1.610	930
J	2	2.375	2.067	1155
K	2 1/2	2.875	2.469	1550
L	3	3.500	3.068	1895
M	3 1/2	4.000	3.548	2170
P	4	4.500	4.026	2460
R	5	5.563	5.047	3080
S	6	6.625	6.065	3735
<b>SCHEDULE 80 ALUMINUM PIPE, EHPS</b>				
E	3/4	1.050	.742	565
F	1	1.315	.957	740
G	1 1/4	1.660	1.278	930
H	1 1/2	1.900	1.500	1070
J	2	2.375	1.939	1355
K	2 1/2	2.875	2.323	1780
L	3	3.500	2.900	2195
M	3 1/2	4.000	3.364	2530
P	4	4.500	3.826	2880
R	5	5.563	4.813	3635
S	6	6.625	5.761	4490

PIPE		DIAMETER		AMPS NEMA CC-1 OUTDOOR
CODE	SIZE	OD	ID	
<b>SCHEDULE 40 COPPER PIPE, SPS</b>				
C	1/2	.840	.625	510
E	3/4	1.050	.822	710
F	1	1.315	1.062	850
G	1 1/4	1.660	1.368	1120
H	1 1/2	1.900	1.600	1280
J	2	2.375	2.062	1550
K	2 1/2	2.875	2.500	2000
L	3	3.500	3.062	2250
M	3 1/2	4.000	3.500	3050
P	4	4.500	4.000	3400
<b>SCHEDULE 80 COPPER PIPE, EHPS</b>				
C	1/2	.840	.542	580
E	3/4	1.050	.736	780
F	1	1.315	.951	1010
G	1 1/4	1.660	1.272	1250
H	1 1/2	1.900	1.494	1450
J	2	2.375	1.933	1850
K	2 1/2	2.875	2.315	2400
L	3	3.500	2.892	2950
M	3 1/2	4.000	3.358	3400
P	4	4.500	3.818	3800

## STANDARD SUFFIXES

THE FOLLOWING SUFFIXES ARE TO BE USED FOR VARIATIONS TO STANDARD CATALOG NUMBERS. CONSULT THE FACTORY FOR ADDITIONAL CONFIGURATIONS.

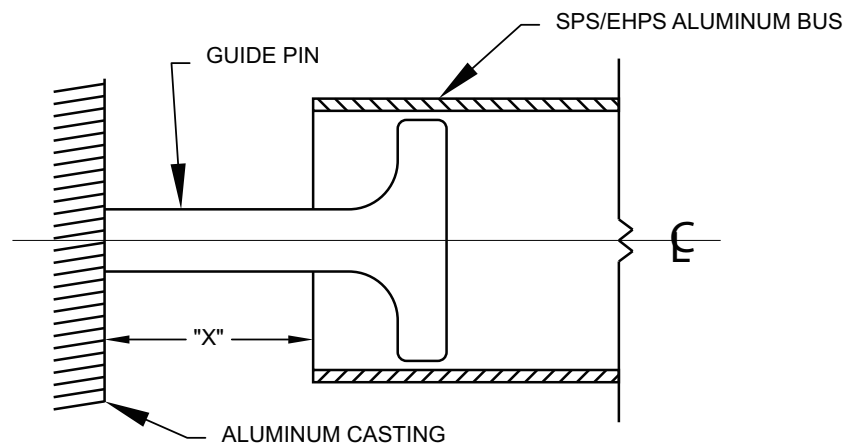
- EH -- SUBSTITUTE WITH GALVANIZED HARDWARE  
E.G.: 2709-1-30-EH
- R -- TIN PLATE  
E.G.: 2709-1-30R
- S -- SILVER PLATE  
E.G.: 2709-1-30S
- TGP -- TUBE GUIDE PIN, REPLACES CAST GUIDE PIN ON EXPANSION COUPLERS AND TERMINALS  
E.G.: AWEPC-H-4NN-TGP
- PNW -- PAD NOT WELDED, EXPANSION TERMINALS  
E.G.: AWEPC-H-4NN-PNW
- SS -- SUBSTITUTE WITH STAINLESS STEEL HARDWARE  
E.G.: ABT-R-H-SS
- B -- BLANK PAD, NO HOLES  
E.G.: ABNT-J-4NB
- SSB -- SUBSTITUTE WITH STAINLESS STEEL BOLT, LOCK WASHER AND SILICON BRONZE NUT  
E.G.: ABN-P-4N-SSB

## GA-735 GRAPH FOR INSTALLING EXPANSION TERMINALS AND COUPLERS

DETERMINE BUS TEMPERATURE AT TIME OF INSTALLATION  
READ ACROSS CHART TO FIND PROPER "X" DIMENSION  
IF BUS RUN IS LONGER THAN SHOWN, CONTACT FACTORY

BUS TEMP. F°	<100 FT. UP TO 3 1/2 SPS/EHPS ALUMINUM BUS	<140 FT. 4-6 SPS/EHPS ALUMINUM BUS
	"X" INCHES	"X" INCHES
110	1 7/8	2 3/4
90	2 1/8	3 1/8
70	2 1/2	3 5/8
50	2 5/8	3 15/16
30	2 7/8	4 7/16
10	3 1/8	4 7/8
-10	3 1/3	5 1/4
-30	3 5/8	5 5/8
-50	3 7/8	6

DO NOT USE THIS CHART TO INSTALL EXPANSION BUS SUPPORTS.  
SEE CHART GA-796 FOR THESE DEVICES.

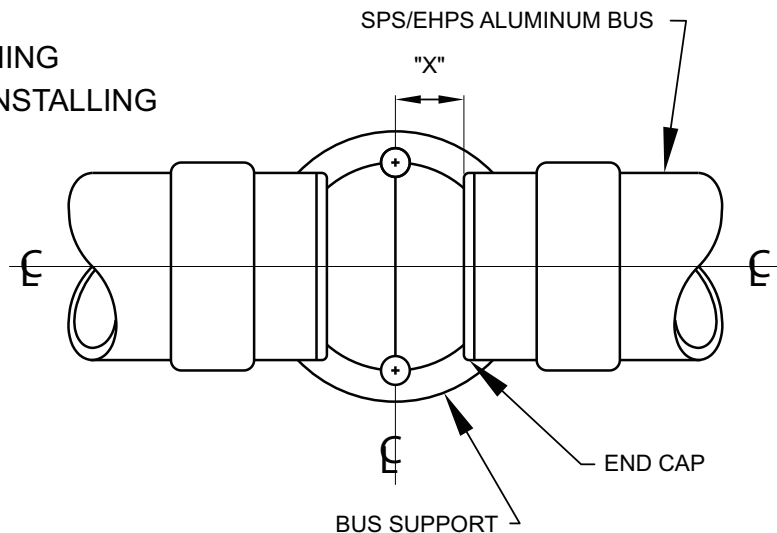


## GA-796 GRAPH FOR INSTALLING EXPANSION BUS SUPPORTS

DETERMINE BUS TEMPERATURE AT TIME OF INSTALLATION  
READ ACROSS CHART TO FIND PROPER "X" DIMENSION  
IF BUS RUN IS LONGER THAN SHOWN, CONTACT FACTORY

	<70 FT. BUS 3" BOLT CIRCLE ALUMINUM BUS	<100 FT. BUS 5" BOLT CIRCLE ALUMINUM BUS	<125 FT. BUS 7" BOLT CIRCLE ALUMINUM BUS
BUS TEMP. F°	"X" INCHES	"X" INCHES	"X" INCHES
110	1 1/8	1 5/8	3
90	1 7/16	1 15/16	3 7/16
70	1 9/16	2 1/3	3 5/8
50	1 7/8	2 5/8	3 7/8
30	2	2 7/8	4
10	2 1/4	3 1/8	4 1/3
-10	2 1/2	3 1/2	4 5/8
-30	2 11/16	3 7/8	4 7/8
-50	2 15/16	4	5

USE THIS CHART FOR DETERMINING  
PROPER "X" DIMENSION WHEN INSTALLING  
EXPANSION SUPPORTS.  
EACH "X" IS DEPENDENT  
ON BUS LENGTH PER SIDE.  
USE FOR HV OR EHV, BOLTED  
OR WELDED.  
DO NOT USE FOR EXPANSION  
TERMINALS OR COUPLERS







**WELD ALUMINUM**

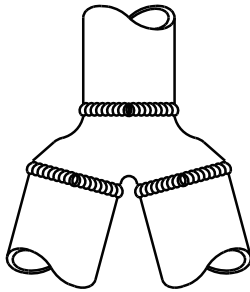


 <sup>®</sup> **THE  
HOMAC  
COMPANIES**

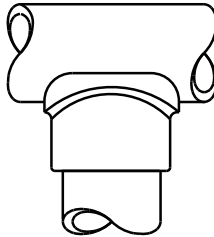




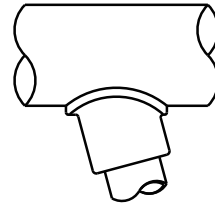
**WELD TEE CONNECTORS**  
**Pictorial Index**



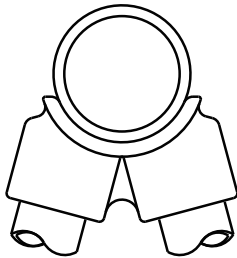
TYPE AWY-15-15  
PAGE W-01



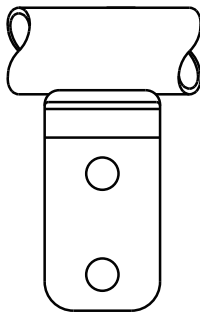
TYPE AWT  
PAGE W-02 - W-03



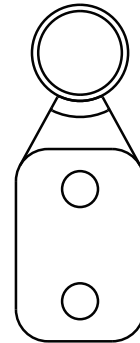
TYPE AWTA-15  
PAGE W-04 - W-05



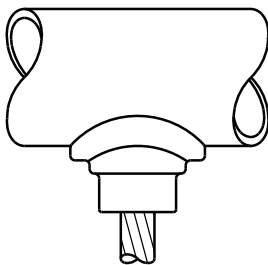
TYPE AWTA-2-15  
PAGE W-06 - W-07



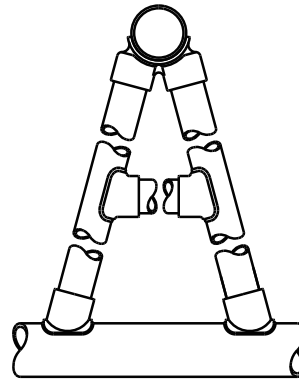
TYPE AWBT  
PAGE W-08



TYPE AWBT-90  
PAGE W-09

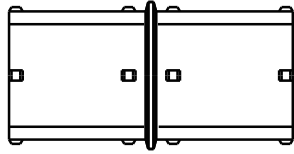


TYPE AWT  
PAGE W-10

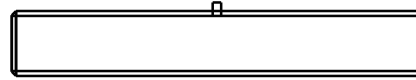


TYPE AFRW  
PAGE W-17

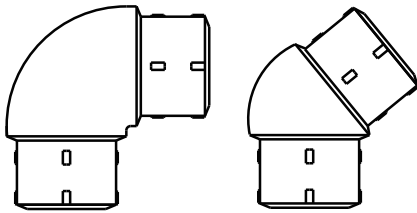
## WELD COUPLERS Pictorial Index



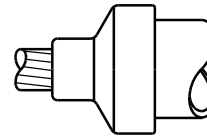
TYPE WALB  
PAGE W-11



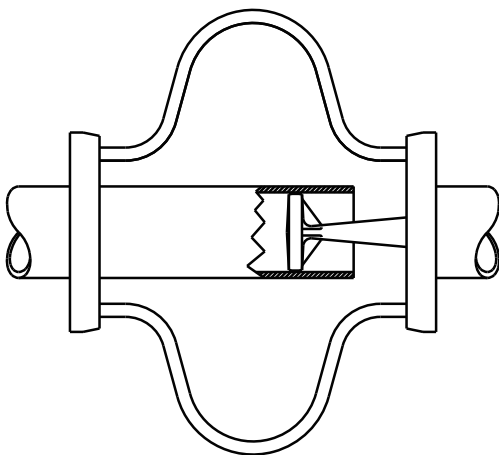
TYPE AWCE & AWCL  
PAGE W-12



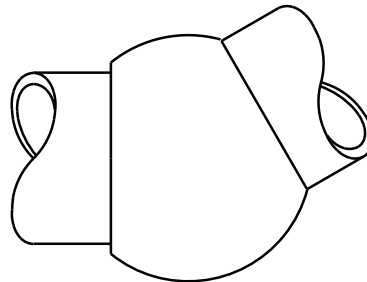
TYPE AWBE-90 & 45  
PAGE W-13



TYPE AWDC  
PAGE W-16

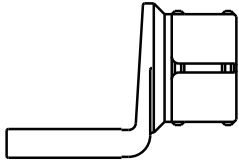


TYPE WAFG  
PAGE W-14

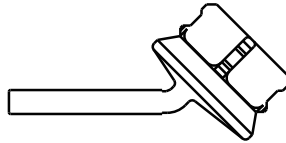


TYPE WASC  
PAGE W-15

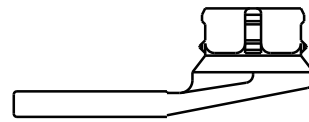
**WELD TERMINALS**  
**Pictorial Index**



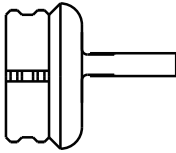
TYPE AWF  
 PAGE W-18 - W-19



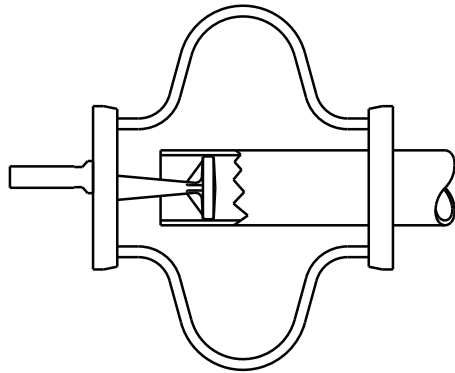
TYPE AWF-45  
 PAGE W-20 - W-21



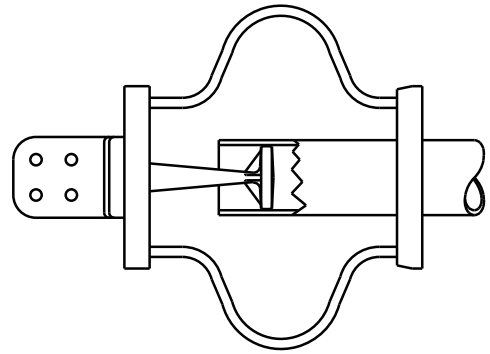
TYPE AWF-90  
 PAGE W-22 - W-23



TYPE AWEE  
 PAGE W-24 - W-25



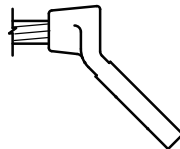
TYPE AWEPD  
 PAGE W-26 - W-27



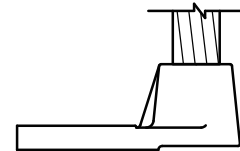
TYPE AWEPF  
 PAGE W-27.1



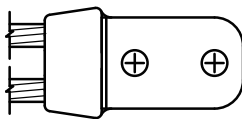
TYPE AWM  
 PAGE W-28 - W-30



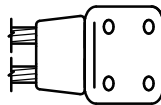
TYPE AWM-45  
 PAGE W-31 - W-33



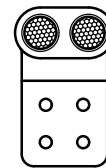
TYPE AWM-90  
 PAGE W-34 - W-36



TYPE AWMM  
 PAGE W-37 - W-39



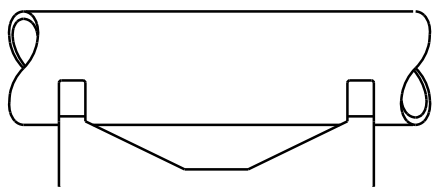
TYPE AWMM-45  
 PAGE W-40 - W-42



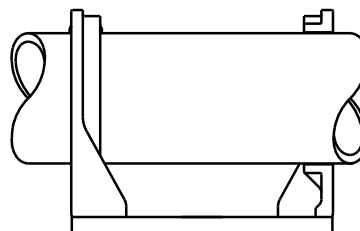
TYPE AWMM-90  
 PAGE W-43 - W-45

## WELD BUS SUPPORTS

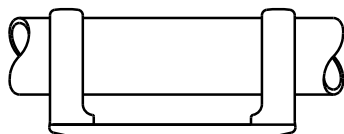
### Pictorial Index



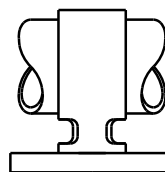
TYPE AWBP  
PAGE W-47



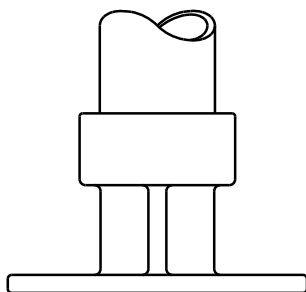
TYPE AWBQ  
PAGE W-49



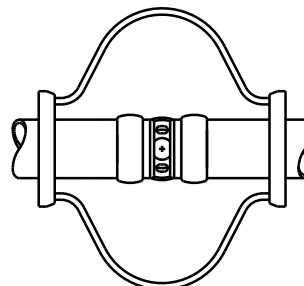
TYPE AWBS  
PAGE W-48



TYPE WAXB  
PAGE W-50

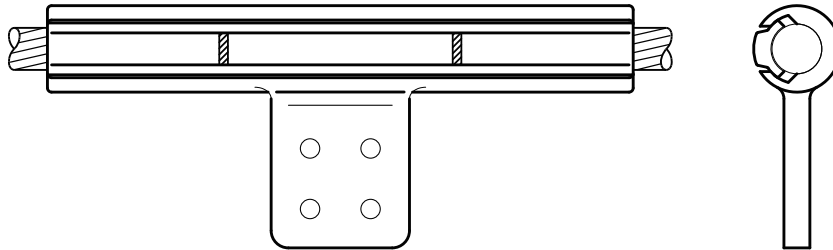


TYPE AWPX  
PAGE W-51

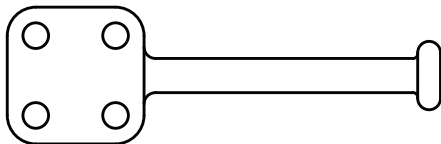
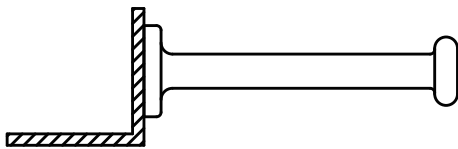
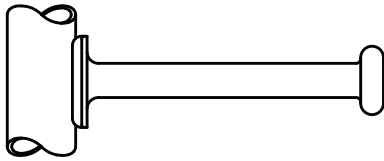


TYPE AWECC  
W-52

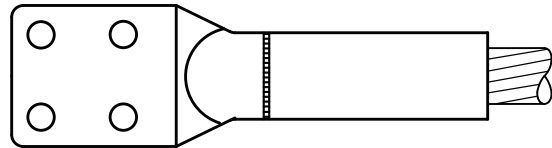
## WELD MISCELLANEOUS Pictorial Index



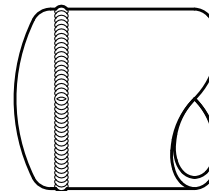
TYPE AYTF  
PAGE W-55



TYPE AWGS  
PAGE W-53



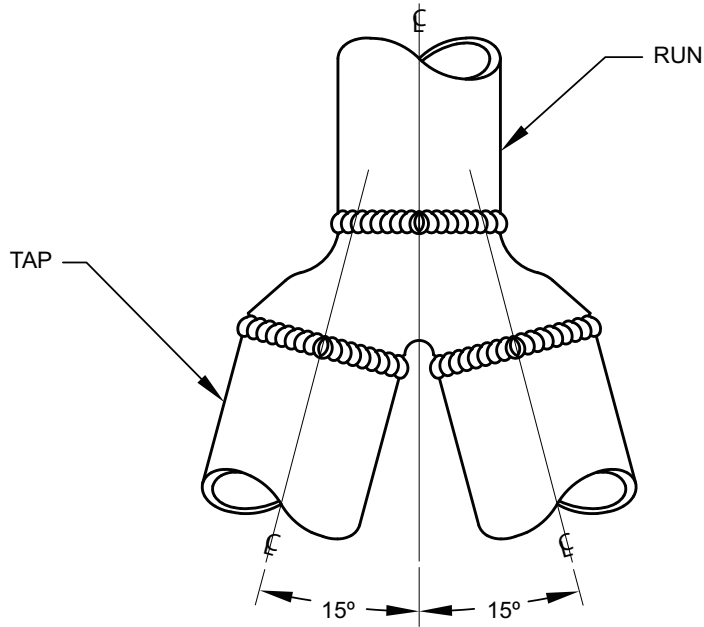
TYPE ALCC  
PAGE W-54



TYPE AWNP  
PAGE W-46

WELD "Y" CONNECTOR  
PIPE RUN TO (2) PIPE TAPS  
EACH AT 15°  
INTERNAL FIT

TYPE AWY-15-15



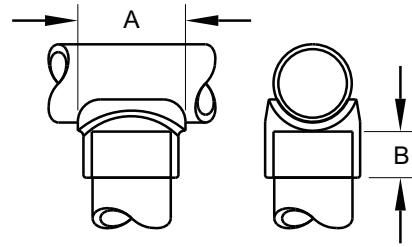
HOMAC CATALOG NUMBER	RUN SPS	TAP SPS
AWY-F-F2-15	1	1
AWY-G-G2-15	1 1/4	1 1/4
AWY-H-H2-15	1 1/2	1 1/2
AWY-J-J2-15	2	2
AWY-K-K2-15	2 1/2	2 1/2
AWY-L-L2-15	3	3
AWY-M-M2-15	3 1/2	3 1/2
AWY-P-P2-15	4	4
AWY-R-R2-15	5	5
AWY-S-S2-15	6	6

FOR SCHEDULE 80 PIPE, ADD "H" TO CATALOG NUMBER; E.G. "AWYH-P-P2-15"  
FOR OTHER CONFIGURATIONS, CONSULT THE FACTORY.



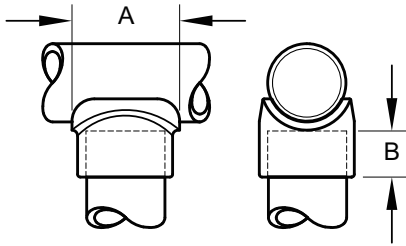
## TYPE AWT

WELD TEE CONNECTOR  
PIPE TO PIPE



HOMAC CATALOG NUMBER	RUN SPS	TAP SPS	A	B
AWT-E-E	3/4	3/4	2 1/2	1
AWT-F-E	1	1	1 13/16	1 13/32
AWT-F-F				
AWT-G-E	1 1/4	3/4	2 3/4	1
AWT-G-F		1		
AWT-G-G		1 1/4		
AWT-H-E	1 1/2	3/4	3	1
AWT-H-F		1		2 1/4
AWT-H-G		1 1/4		1 1/4
AWT-H-H		1 1/2		1
AWT-J-E	2	3/4	3 11/16	1
AWT-J-F		1	2 3/4	1 1/8
AWT-J-G		1 1/4	3	1
AWT-J-H		1 1/2		
AWT-J-J		2		
AWT-K-E	2 1/2	3/4	3	1 1/4
AWT-K-F		1		
AWT-K-G		1 1/4		
AWT-K-H		1 1/2		
AWT-K-J		2		
AWT-K-K		2 1/2		
AWT-L-E	3	3/4	3	1
AWT-L-F		1		
AWT-L-G		1 1/4		
AWT-L-H		1 1/2		
AWT-L-I		2		
AWT-L-J		2		
AWT-L-K		2 1/2		
AWT-L-L	3			
AWT-M-E	3 1/2	3/4	3	1
AWT-M-F		1	4 3/8	1 1/2
AWT-M-G		1 1/4	2 11/16	1
AWT-M-H		1 1/2	3 1/4	

**WELD ALUMINUM**



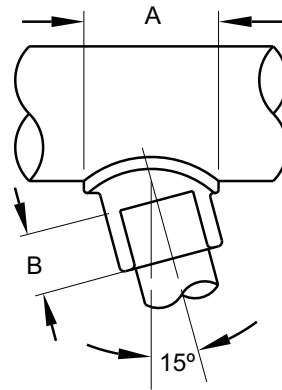
## TYPE AWT

WELD TEE CONNECTOR  
PIPE TO PIPE

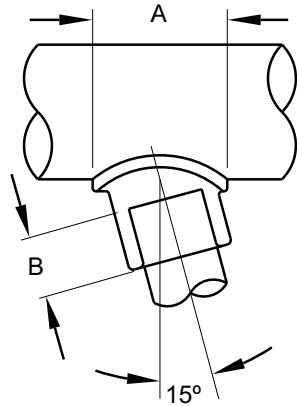
HOMAC CATALOG NUMBER	RUN SPS	TAP SPS	A	B
AWT-M-J	3 1/2	2	4	1 3/4
AWT-M-K		2 1/2	5	2
AWT-M-L		3	4 13/16	1 5/8
AWT-M-M		3 1/2	5 3/8	1 1/2
AWT-P-E	4	3/4	3	1 1/8
AWT-P-F		1	3 1/2	
AWT-P-G		1 1/4	2 5/8	1
AWT-P-H		1 1/2	3 3/16	
AWT-P-J		2	4 1/2	
AWT-P-K		2 1/2	4 3/4	2
AWT-P-L		3	4 1/2	1 1/4
AWT-P-M		3 1/2	5	1 1/2
AWT-P-P		4	5 13/16	
AWT-R-E		5	3/4	2
AWT-R-F	1		2 3/8	
AWT-R-G	1 1/4		2 5/8	1
AWT-R-H	1 1/2		3	
AWT-R-J	2		3 3/4	2
AWT-R-K	2 1/2		4 1/8	1 1/4
AWT-R-L	3		4 7/8	
AWT-R-M	3 1/2			3
AWT-R-P	4		6 3/8	1 1/2
AWT-R-R	5		7	
AWT-S-E	6	3/4	2	3/4
AWT-S-F		1	2 3/8	
AWT-S-H		1 1/4	2 5/8	1
AWT-S-H		1 1/2	3	
AWT-S-J		2	3 5/8	
AWT-S-K		2 1/2	4 1/8	1 1/4
AWT-S-L		3	4 7/8	
AWT-S-M		3 1/2	6 5/16	1 1/2
AWT-S-P		4	5 7/8	
AWT-S-R		5	6 7/8	
AWT-S-S	6	8		

## TYPE AWTA-15

WELD TEE CONNECTOR  
PIPE RUN TO PIPE TAP  
AT 15°



HOMAC CATALOG NUMBER	RUN SPS	TAP SPS	A	B
AWTA-E-E15	3/4	3/4	2	3/4
AWTA-F-E15	1			
AWTA-F-F15		1	2 3/8	
AWTA-G-E15	1 1/4	3/4	2	
AWTA-G-F15		1	2 3/8	
AWTA-G-G15		1 1/4	2 13/16	
AWTA-H-E15	1 1/2	3/4	2	3/4
AWTA-H-F15		1	3	1
AWTA-H-G15		1 1/4	3 3/8	1 1/2
AWTA-H-H15		1 1/2	3	1
AWTA-J-E15	2	3/4	2	3/4
AWTA-J-F15		1	3	1
AWTA-J-G15		1 1/4	3 1/4	1 1/2
AWTA-J-H15		1 1/2	3 3/4	
AWTA-J-J15		2	4	1 3/4
AWTA-K-E15	2 1/2	3/4	2	3/4
AWTA-K-F15		1	2 3/8	
AWTA-K-G15		1 1/4	3 1/4	1
AWTA-K-H15		1 1/2	3 1/2	1 1/2
AWTA-K-J15		2	3 5/8	1
AWTA-K-K15		2 1/2	4 3/4	1 1/4
AWTA-L-F15	3	1	3 1/4	1
AWTA-L-G15		1 1/4	3 1/2	1 1/4
AWTA-L-H15		1 1/2		1 1/2
AWTA-L-J15		2	4	1
AWTA-L-K15		2 1/2	4 1/4	1 1/4
AWTA-L-L15		3	4 3/4	



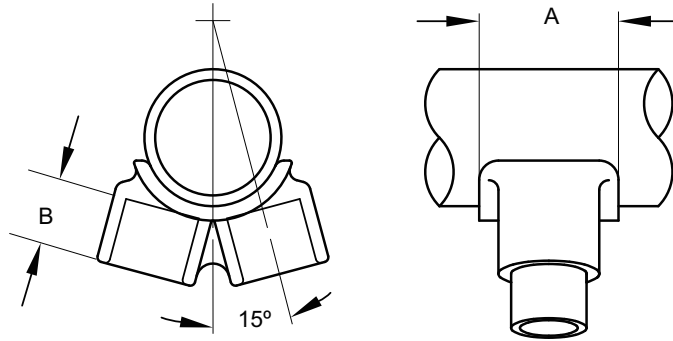
## TYPE AWTA-15

WELD TEE CONNECTOR  
PIPE RUN TO PIPE TAP  
AT 15°

HOMAC CATALOG NUMBER	RUN SPS	TAP SPS	A	B
AWTA-M-F15	3 1/2	1	3 1/2	1 1/2
AWTA-M-G15		1 1/4	3	1
AWTA-M-H15		1 1/2	3 1/2	1 1/2
AWTA-M-J15		2	5 1/4	1
AWTA-M-K15		2 1/2	4 1/8	1 1/4
AWTA-M-L15		3	4 7/8	
AWTA-M-M15		3 1/2	5 3/8	1 1/2
AWTA-P-F15	4	1	2 3/8	3/4
AWTA-P-G15		1 1/4	2 5/8	1
AWTA-P-H15		1 1/2	3 1/2	1 1/2
AWTA-P-J15		2	4 1/2	1 3/4
AWTA-P-K15		2 1/2	5	1
AWTA-P-L15		3	6	1 1/4
AWTA-P-M15		3 1/2		1 1/2
AWTA-P-P15		4	5 7/8	1 1/2
AWTA-R-J15	5	2	4 3/4	1
AWTA-R-K15		2 1/2	5	1 1/4
AWTA-R-L15		3	4 7/8	
AWTA-R-M15		3 1/2	5	1 1/2
AWTA-R-P15		4	6 7/8	
AWTA-R-R15		5		
AWTA-S-J15	6	2	3 5/8	1
AWTA-S-K15		2 1/2	4 1/2	1 1/4
AWTA-S-L15		3	4 3/4	2
AWTA-S-M15		3 1/2	5	1 1/2
AWTA-S-P15		4	5 7/8	
AWTA-S-R15		5	6 7/8	
AWTA-S-S15		6	8	

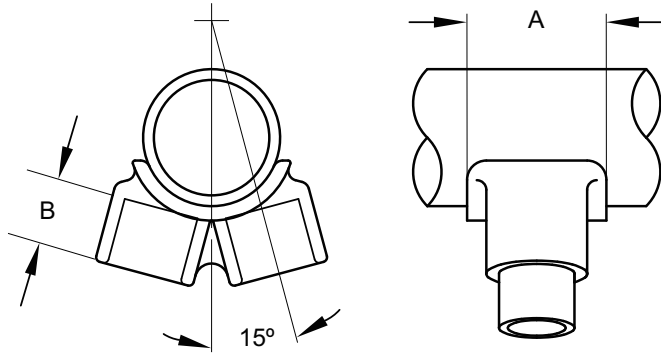
## TYPE AWTA-2-15

WELD VEE CONNECTOR  
PIPE RUN TO (2) PIPE TAPS  
EACH AT 15°



HOMAC CATALOG NUMBER	RUN SPS	TAP SPS	A	B
AWTA-E-E2-15	3/4	3/4	2 1/2	1 1/8
AWTA-F-E2-15	1		2	3/4
AWTA-F-F2-15		1	2 3/4	1
AWTA-G-E2-15	1 1/4	3/4	2	3/4
AWTA-G-F2-15		1	2 3/8	
AWTA-G-G2-15		1 1/4	2 5/8	1
AWTA-H-E2-15	1 1/2	3/4	2	3/4
AWTA-H-F2-15		1	3	1
AWTA-H-G2-15		1 1/4	2 5/8	
AWTA-H-H2-15		1 1/2	3 1/2	
AWTA-J-E2-15	2	3/4	2	3/4
AWTA-J-F2-15		1	2 3/8	1
AWTA-J-G2-15		1 1/4	3 1/4	3/4
AWTA-J-H2-15		1 1/2	3 1/2	1 1/2
AWTA-J-J2-15		2	4	1
AWTA-K-E2-15	2 1/2	3/4	2	3/4
AWTA-K-F2-15		1	3 1/4	1 1/2
AWTA-K-G2-15		1 1/4		1
AWTA-K-H2-15		1 1/2	3 1/2	
AWTA-K-J2-15		2	4	1 3/4
AWTA-K-K2-15		2 1/2	4 1/8	1 1/4
AWTA-L-F2-15	3	1	3	1
AWTA-L-G2-15		1 1/4	3 1/4	1 1/4
AWTA-L-H2-15		1 1/2	3 1/2	1 1/2
AWTA-L-J2-15		2	4 7/8	1 1/8
AWTA-L-K2-15		2 1/2	4 1/4	1 1/4
AWTA-L-L2-15		3	4 3/4	

**WELD ALUMINUM**



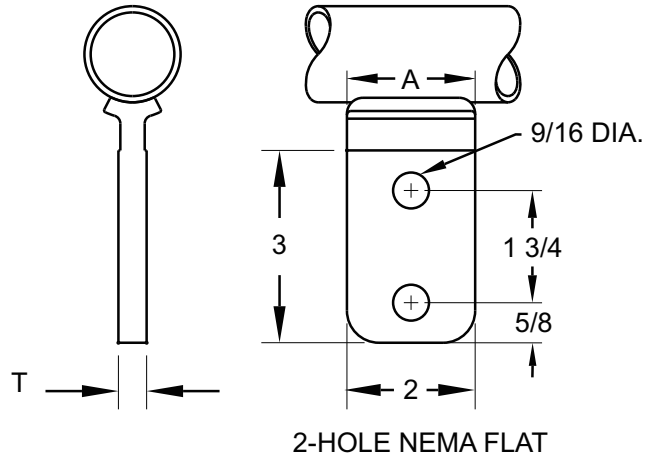
## TYPE AWTA-2-15

WELD VEE CONNECTOR  
PIPE RUN TO (2) PIPE TAPS  
EACH AT 15°

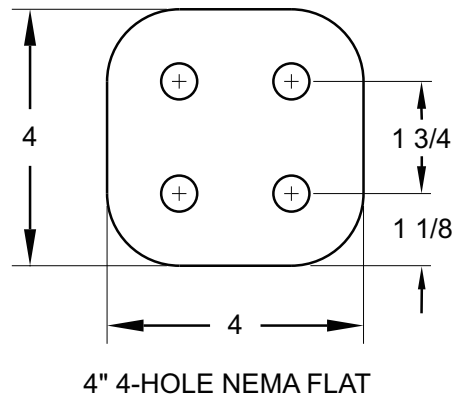
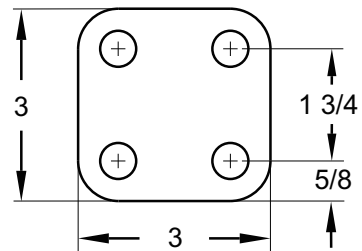
HOMAC CATALOG NUMBER	RUN SPS	TAP SPS	A	B
AWTA-M-F2-15	3 1/2	1	3	1
AWTA-M-G2-15		1 1/4	3 1/4	1/2
AWTA-M-H2-15		1 1/2	3 3/4	1 1/2
AWTA-M-J2-15		2	4 1/4	1 1/4
AWTA-M-K2-15		2 1/2	4 1/8	
AWTA-M-L2-15		3	5	
AWTA-M-M2-15		3 1/2	5 1/4	1 1/2
AWTA-P-F2-15	4	1	2 3/8	3/4
AWTA-P-G2-15		1 1/4	2 5/8	1
AWTA-P-H2-15		1 1/2	4 1/4	1 3/4
AWTA-P-J2-15		2		
AWTA-P-K2-15		2 1/2	5	1 1/4
AWTA-P-L2-15		3	4 3/8	1 1/2
AWTA-P-M2-15		3 1/2	5	
AWTA-P-P2-15		4	5 7/8	
AWTA-R-J2-15	5	2	4 1/4	1 3/4
AWTA-R-K2-15		2 1/2	4 3/4	
AWTA-R-L2-15		3	4 7/8	1 1/4
AWTA-R-M2-15		3 1/2	5 3/8	1 1/2
AWTA-R-P2-15		4	6	
AWTA-R-R2-15		5	6 7/8	
AWTA-S-J2-15	6	2	4 1/2	1 3/4
AWTA-S-K2-15		2 1/2	4 1/8	1 1/4
AWTA-S-L2-15		3	4 7/8	2 5/8
AWTA-S-M2-15		3 1/2	5 3/8	1 1/2
AWTA-S-P2-15		4	5 7/8	
AWTA-S-R2-15		5	6 7/8	
AWTA-S-S2-15	6	8		

## TYPE AWBT

WELD TEE CONNECTOR  
PIPE RUN TO FLAT TAP



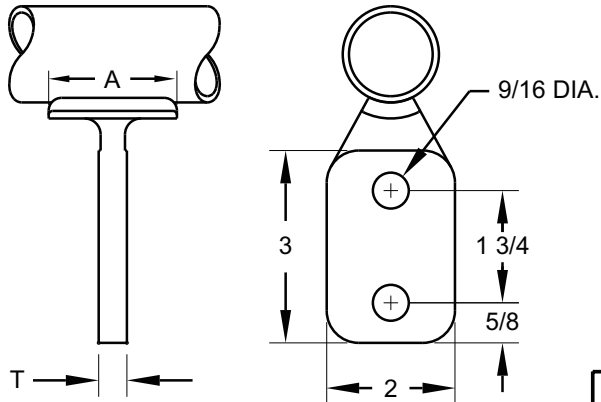
HOMAC CATALOG NUMBER	SPS	AMPS	A	T
<b>2-HOLE NEMA FLAT</b>				
AWBT-E-2N	3/4	600	2	7/16
AWBT-FK-2N	1 - 2 1/2			
AWBT-LS-2N	3 - 6			
<b>3" 4-HOLE NEMA FLAT</b>				
AWBT-E-4N	3/4	1200	3	9/16
AWBT-FK-4N	1 - 2 1/2			
AWBT-LS-4N	3 - 6			
<b>4" 4-HOLE NEMA FLAT</b>				
AWBT-E-4NN	3/4	2000	4	11/16
AWBT-FK-4NN	1 - 2 1/2			
AWBT-LS-4NN	3 - 6			



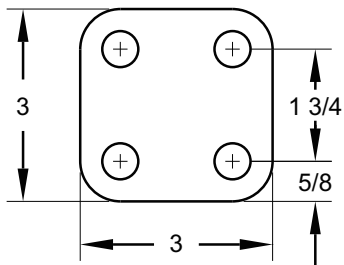
ALL PADS ARE FINISHED ON BOTH SIDES

## TYPE AWBT-90

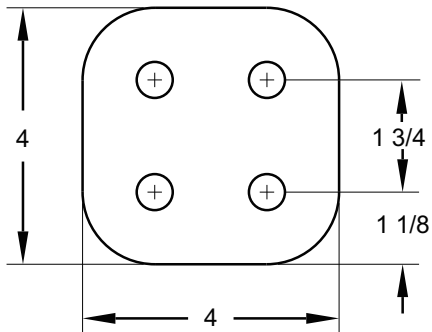
WELD TEE CONNECTOR  
PIPE TO 90° FLAT



2-HOLE NEMA FLAT



3" 4-HOLE NEMA FLAT



4" 4-HOLE NEMA FLAT

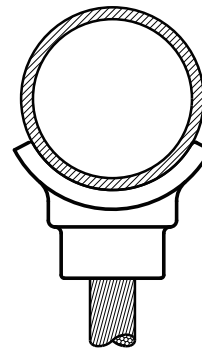
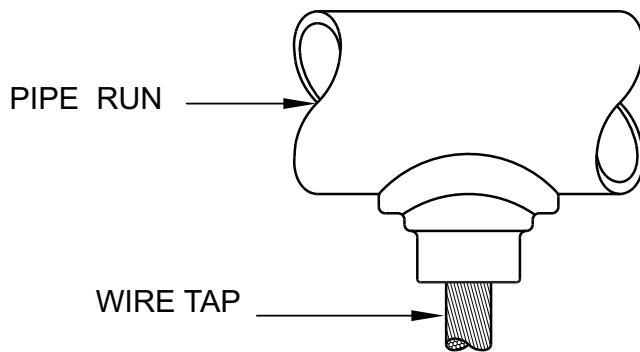
HOMAC CATALOG NUMBER	SPS	AMPS	A	T
<b>2-HOLE NEMA FLAT</b>				
AWBT-E-2N90	3/4	600	2	7/16
AWBT-FK-2N90	1-2 1/2			
AWBT-LS-2N90	3-6			
<b>3" 4-HOLE NEMA FLAT</b>				
AWBT-E-4N90	3/4	1200	3	9/16
AWBT-FK-4N90	1-2 1/2			
AWBT-LS-4N90	3-6			
<b>4" 4-HOLE NEMA FLAT</b>				
AWBT-E-4NN90	3/4	2000	4	11/16
AWBT-FK-4NN90	1-2 1/2			
AWBT-LS-4NN90	3-6			

ALL PADS ARE FINISHED ON BOTH SIDES



## TYPE AWT

WELD TEE CONNECTOR  
PIPE TO CABLE



PIPE RUN

CATALOG NUMBERS WILL BE DESIGNATED FROM THE FOLLOWING INFORMATION:

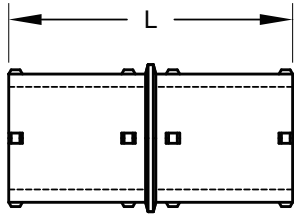
AWT - (PIPE RUN) - (\* WIRE TAP)

E.G.: "AWT - R - \*\*"

\* WIRE SIZE TYPE (AAC, ACSR) STRANDING MUST BE SUPPLIED IN ORDER TO DESIGNATE THE PROPER TAP SIZE

PIPE SIZE SCHEDULE 40 OR 80	LETTER
1	F
1 1/4	G
1 1/2	H
2	J
2 1/2	K
3	L
3 1/2	M
4	P
5	R
6	S

FOR OTHER CONFIGURATIONS, CONSULT THE FACTORY



## TYPE WALB

INTERNAL WELD CAST COUPLER  
PIPE TO PIPE

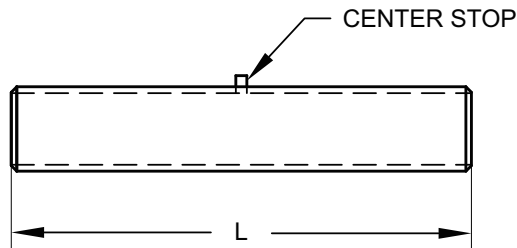
HOMAC CATALOG NUMBER	RUN SPS	TAP SPS	L
WALB-E	3/4	3/4	2 1/4
WALB-F-E	1		
WALB-F			
WALB-G-E	1 1/4	3/4	2 1/2
WALB-G-F		1	
WALB-G		1 1/4	2 7/8
WALB-H-E	1 1/2	3/4	2 3/4
WALB-H-F		1	
WALB-H-G		1 1/4	3
WALB-H		1 1/2	
WALB-J-E	2	3/4	3 1/4
WALB-J-F		1	
WALB-J-G		1 1/4	3 5/16
WALB-J-H		1 1/2	3 3/4
WALB-J		2	4 1/4
WALB-K-E	2 1/2	3/4	3 3/4
WALB-K-F		1	
WALB-K-G		1 1/4	4
WALB-K-H		1 1/2	4 1/4
WALB-K-J		2	5
WALB-K		2 1/2	5 1/4
WALB-L-E		3	3/4
WALB-L-F	1		
WALB-L-G	1 1/4		4 1/2
WALB-L-H	1 1/2		4 3/4
WALB-L-J	2		5 1/4
WALB-L-K	2 1/2		5 3/4
WALB-L	3		6 3/4
WALB-M-E	3 1/2		3/4
WALB-M-F		1	
WALB-M-G		1 1/4	5
WALB-M-H		1 1/2	5 1/4

HOMAC CATALOG NUMBER	RUN SPS	TAP SPS	L
WALB-M-J	3 1/2	2	5 3/4
WALB-M-K		2 1/2	6 1/4
WALB-M-L		3	6 3/4
WALB-M		3 1/2	7 1/4
WALB-P-E	4	3/4	5 1/2
WALB-P-F		1	
WALB-P-G		1 1/4	
WALB-P-H		1 1/2	5 3/4
WALB-P-J		2	6 3/8
WALB-P-K		2 1/2	6 7/8
WALB-P-L		3	7 3/8
WALB-P-M		3 1/2	7 7/8
WALB-P	4	8 3/8	
WALB-R-E	5	3/4	6 3/8
WALB-R-F		1	
WALB-R-G		1 1/4	6 5/8
WALB-R-H		1 1/2	6 7/8
WALB-R-J		2	7 3/8
WALB-R-K		2 1/2	7 7/8
WALB-R-L		3	8 3/8
WALB-R-M		3 1/2	8 7/8
WALB-R-P		4	9 3/8
WALB-R		5	10 3/8
WALB-S-E	6	3/4	7 3/8
WALB-S-F		1	
WALB-S-G		1 1/4	7 5/8
WALB-S-H		1 1/2	7 7/8
WALB-S-J		2	8 3/8
WALB-S-K		2 1/2	8 7/8
WALB-S-L		3	9 3/8
WALB-S-M		3 1/2	9 7/8
WALB-S-P		4	10 3/8
WALB-S-R		5	11 3/8
WALB-S	6	12 3/8	

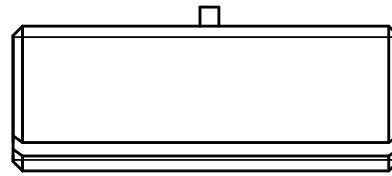
FOR SCHEDULE 80 PIPE, ADD "H" TO CATALOG NUMBER; E.G. "WALBH-J-F"

## TYPE AWCE & AWCL

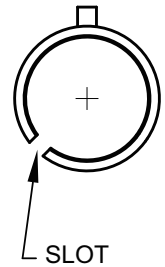
INTERNAL WELD EXTRUDED COUPLER  
PIPE TO PIPE



AWCL STYLE



AWCE STYLE

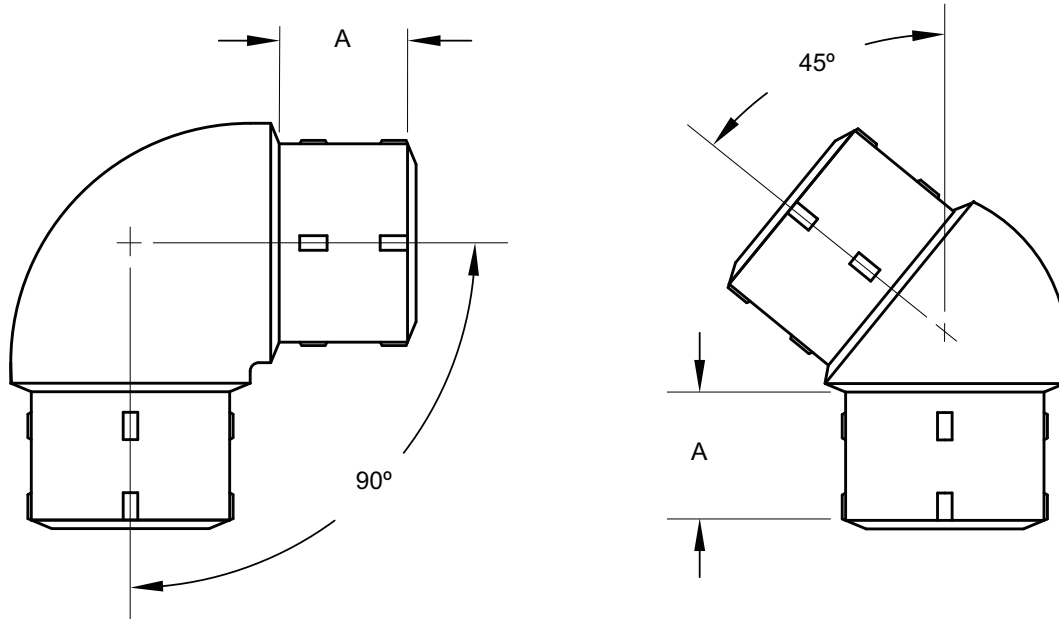


HOMAC CATALOG NUMBER	HOMAC CATALOG NUMBER	SPS	L
AWCL-E	AWCE-E	3/4	4 1/2
AWCL-F	AWCE-F	1	6
AWCL-G	AWCE-G	1 1/4	7
AWCL-H	AWCE-H	1 1/2	9
AWCL-J	AWCE-J	2	12
AWCL-K	AWCE-K	2 1/2	10 1/4
AWCL-L	AWCE-L	3	18
AWCL-M	AWCE-M	3 1/2	21
AWCL-P	AWCE-P	4	24
AWCL-R	AWCE-R	5	24
AWCL-S	AWCE-S	6	24
AWCL-V	AWCE-V	8	24
AWCL-V8	AWCE-V8	8 O.D.	24

FOR SCHEDULE 80 PIPE ADD "H" TO CATALOG NUMBER; E.G. "AWCLH-J"  
COUPLERS SUITABLE FOR INSTALLATION AT ANY SYSTEM VOLTAGE

## TYPE AWBE

WELD ELBOW  
PIPE TO PIPE

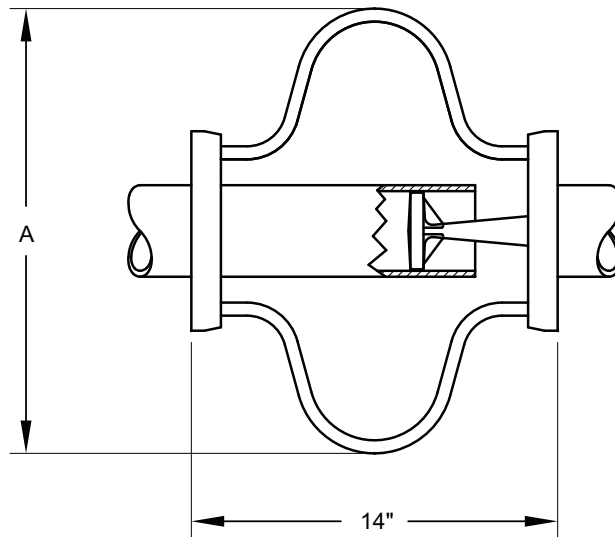


HOMAC CATALOG NUMBER		SPS	A
90 DEGREE	45 DEGREE		
AWBE-F-90	AWBE-F-45	1	2
AWBE-G-90	AWBE-G-45	1 1/4	2 1/2
AWBE-H-90	AWBE-H-45	1 1/2	3
AWBE-J-90	AWBE-J-45	2	
AWBE-K-90	AWBE-K-45	2 1/2	
AWBE-L-90	AWBE-L-45	3	4
AWBE-M-90	AWBE-M-45	3 1/2	
AWBE-P-90	AWBE-P-45	4	5
AWBE-R-90	AWBE-R-45	5	
AWBE-S-90	AWBE-S-45	6	6

FOR SCHEDULE 80 PIPE, ADD "H" TO CATALOG NUMBER; E.G. "AWBEH-J-90"  
FOR OTHER CONFIGURATIONS, CONSULT THE FACTORY

## TYPE WAFG

WELD EXPANSION COUPLER  
PIPE TO PIPE

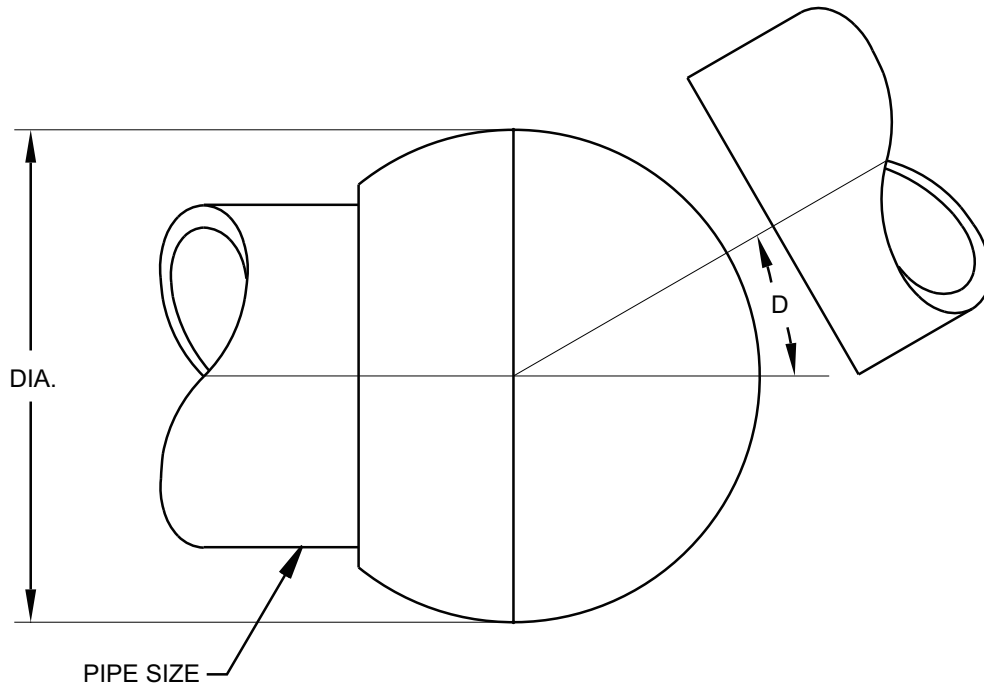


HOMAC CATALOG NUMBER	SPS	A MAX.	AMPS
WAFG-G	1 1/4	11	930
WAFG-H	1 1/2		1070
WAFG-J	2	12 1/2	1355
WAFG-K	2 1/2		1780
WAFG-L	3	14	2195
WAFG-M	3 1/2		2530
WAFG-P	4	17	2800
WAFG-R	5	19	3000
WAFG-S	6		

FOR SCHEDULE 80 ADD "H" TO CATALOG NUMBER. E.G. "WAFGH-K"  
USE CHART GA-735 FOR INSTALLATION SEE GENERAL REFERENCE PAGE 24

## TYPE WASC

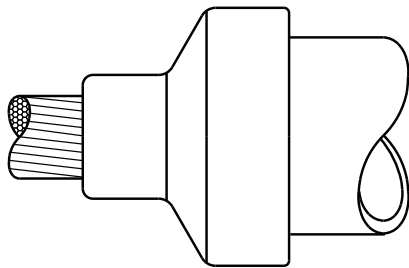
SPHERICAL COUPLER  
PIPE TO PIPE



HOMAC CATALOG NUMBER	SPS	DIA.	D MAX.
WASC-F	1	4 1/2	110°
WASC-G	1 1/4		100°
WASC-H	1 1/2		90°
WASC-J	2	5	115°
WASC-K	2 1/2		90°
WASC-L	3	8	105°
WASC-M	3 1/2		100°
WASC-P	4		9 1/2
WASC-R	5		
WASC-S	6	11	

## TYPE AWDC

WELD COUPLER  
PIPE TO CABLE



CATALOG NUMBERS WILL BE DESIGNATED FROM THE FOLLOWING INFORMATION:

AWDC - (PIPE) - (\* WIRE)

E.G.: AWDC - R - \*

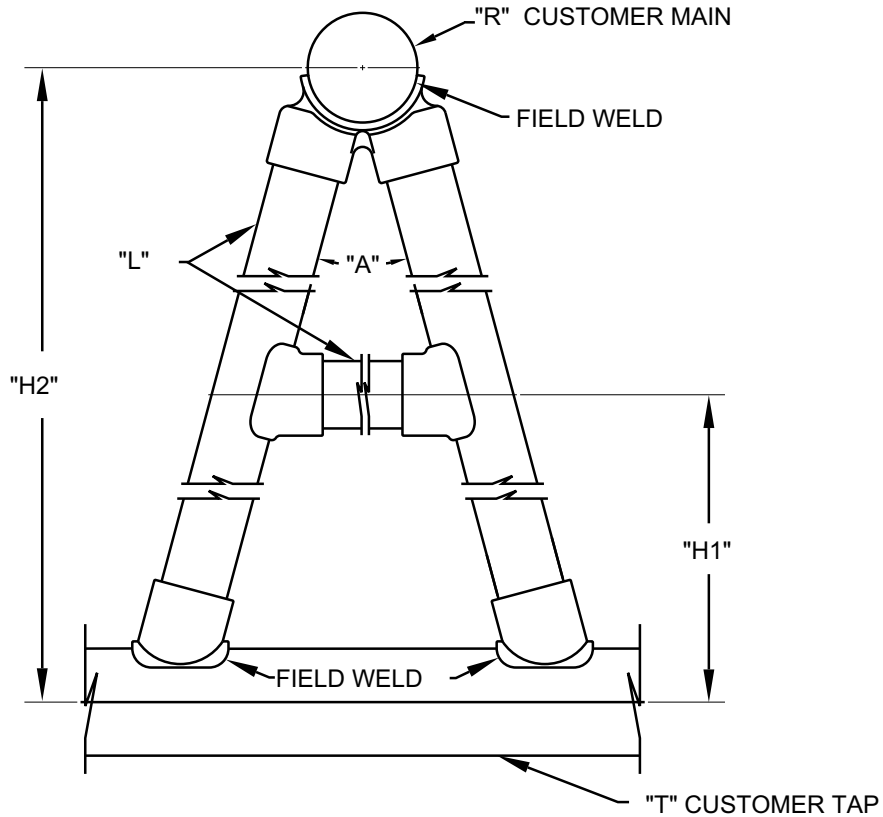
\* WIRE SIZE TYPE (AAC, ACSR)  
STRANDING MUST BE SUPPLIED IN ORDER TO DESIGNATE THE PROPER COUPLER

PIPE SIZE SCH. 40 OR 80	LETTER
1	F
1 1/4	G
1 1/2	H
2	J
2 1/2	K
3	L
3 1/2	M
4	P
5	R
6	S

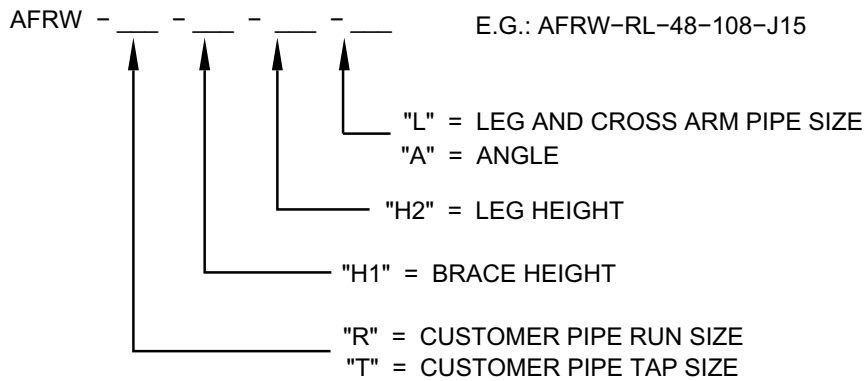
FOR OTHER CONFIGURATIONS, CONSULT THE FACTORY

**TYPE AFRW**

WELDED "A" FRAMES  
 FOR PIPE



CATALOG NUMBERS WILL BE DESIGNATED BY THE FACTORY  
 CUSTOMER TO SUPPLY THE FOLLOWING INFORMATION

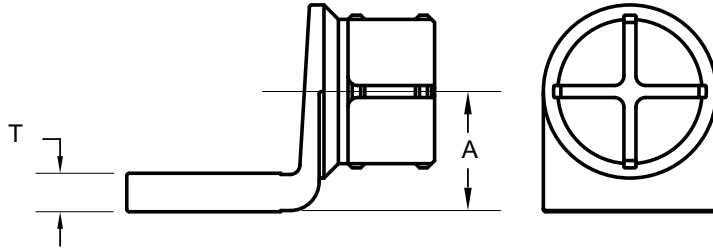


PLEASE SPECIFY VOLTAGE IF OVER 230 KV

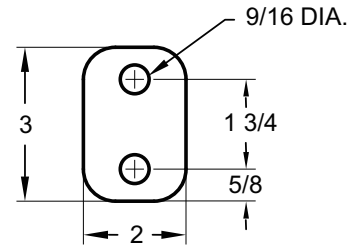


## TYPE AWF

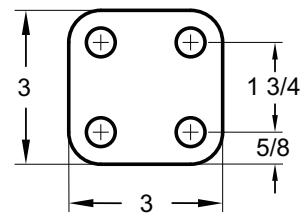
WELD TERMINAL  
PIPE TO FLAT



HOMAC CATALOG NUMBER	SPS	A	T	AMPS
<b>2-HOLE NEMA FLAT</b>				
AWF-E-2N	3/4	7/8	7/16	600
AWF-F-2N	1	1 1/4		
AWF-G-2N	1 1/4	1 1/16	1/2	
AWF-H-2N	1 1/2	1 5/8		
AWF-J-2N	2	1 7/16		
AWF-K-2N	2 1/2	1 3/4	5/8	
AWF-L-2N	3	2 1/16		
AWF-M-2N	3 1/2	2 1/4	7/8	
AWF-P-2N	4	2 1/4		
AWF-R-2N	5	3 1/16		
AWF-S-2N	6	3 5/8	1	
<b>3" 4-HOLE NEMA FLAT</b>				
AWF-E-4N	3/4	7/8	7/16	495
AWF-F-4N	1	1 1/4		650
AWF-G-4N	1 1/4	1 1/16		810
AWF-H-4N	1 1/2	1 1/4		930

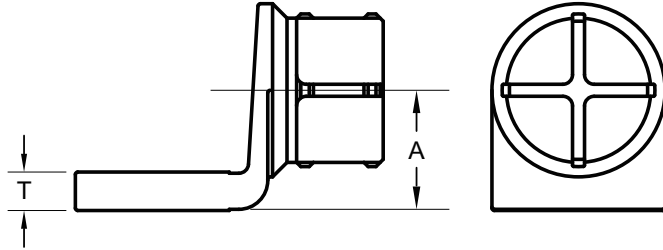


2-HOLE NEMA FLAT



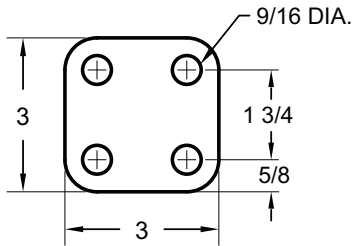
3" 4-HOLE NEMA FLAT

FOR SCHEDULE 80 PIPE, ADD "H" TO CATALOG NUMBER; E.G. "AWFH-E-4N"  
OTHER SIZES AVAILABLE, CONSULT THE FACTORY  
ALL PADS ARE FINISHED ON BOTH SIDES

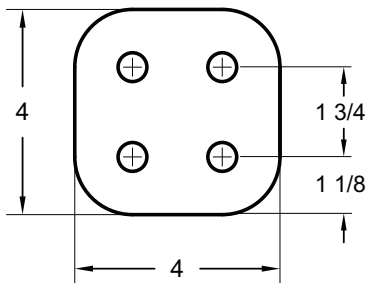


**TYPE AWF**

WELD TERMINAL  
PIPE TO FLAT



3" 4-HOLE NEMA FLAT



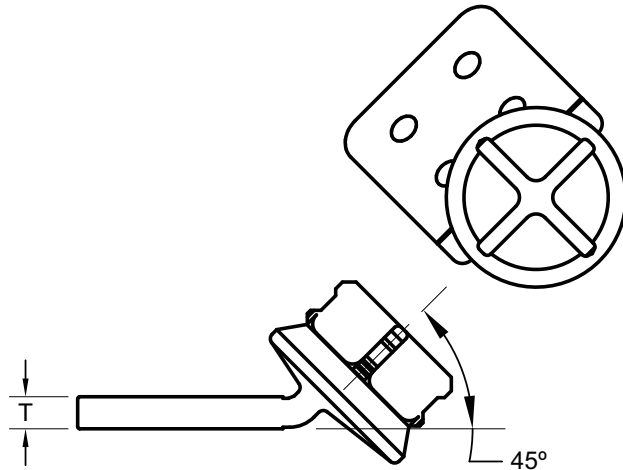
4" 4-HOLE NEMA FLAT

HOMAC CATALOG NUMBER	SPS	A	T	AMPS
<b>3" 4-HOLE NEMA FLAT</b>				
AWF-J-4N	2	1 7/16	5/8	1155
AWF-K-4N	2 1/2	1 3/4	3/4	1550
AWF-L-4N	3	2	1	1895
AWF-M-4N	3 1/2	2 1/4		2170
AWF-P-4N	4	2 1/2	7/8	2000
AWF-R-4N	5	3 1/16		2000
AWF-S-4N	6	3 5/8		2000
<b>4" 4-HOLE NEMA FLAT</b>				
AWF-J-4NN	2	1 7/16	5/8	1155
AWF-K-4NN	2 1/2	1 3/4		1550
AWF-L-4NN	3	2		1895
AWF-M-4NN	3 1/2	2 1/4	7/8	2170
AWF-P-4NN	4	3 1/8	1	2460
AWF-R-4NN	5	3 1/16	1 1/8	3080
AWF-S-4NN	6	3 5/8	1 7/8	3750

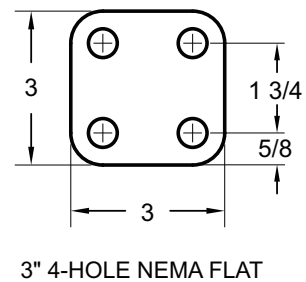
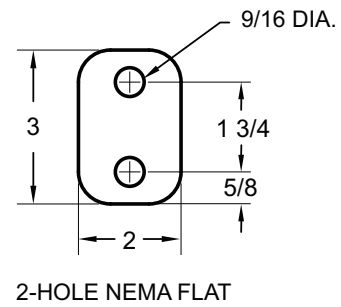
FOR SCHEDULE 80 PIPE, ADD "H" TO CATALOG NUMBER; E.G. "AWFH-J-4N"  
 OTHER SIZES AVAILABLE, CONSULT THE FACTORY  
 ALL PADS ARE FINISHED ON BOTH SIDES

## TYPE AWF-45

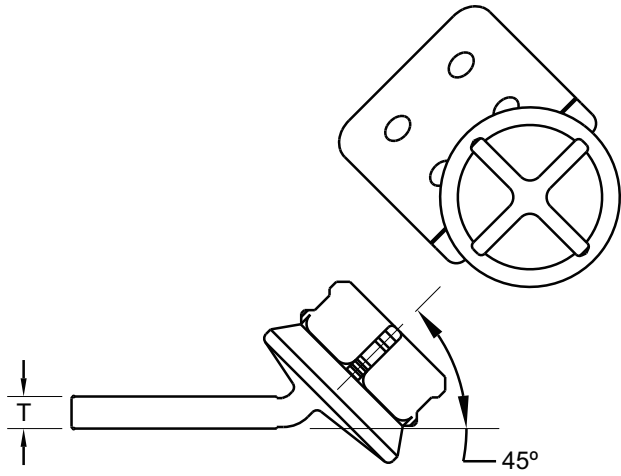
45° WELD TERMINAL  
PIPE TO FLAT



HOMAC CATALOG NUMBER	SPS	T	AMPS
<b>2-HOLE NEMA FLAT</b>			
AWF-E-2N45	3/4	3/8	600
AWF-F-2N45	1		
AWF-G-2N45	1 1/4	1/2	
AWF-H-2N45	1 1/2		
AWF-J-2N45	2		
AWF-K-2N45	2 1/2		
AWF-L-2N45	3	5/8	
AWF-M-2N45	3 1/2	7/8	
AWF-P-2N45	4	1	
AWF-R-2N45	5		
AWF-S-2N45	6		
<b>3" 4-HOLE NEMA FLAT</b>			
AWF-E-4N45	3/4	1/2	495
AWF-F-4N45	1		650
AWF-G-4N45	1 1/4		810
AWF-H-4N45	1 1/2		930

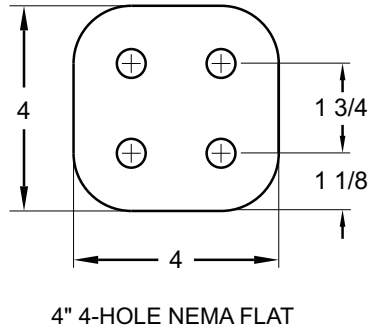
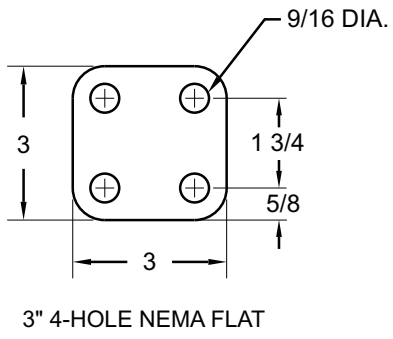


FOR SCHEDULE 80 PIPE, ADD "H" TO CATALOG NUMBER; E.G. "AWFH-E-4N45"  
 OTHER SIZES AVAILABLE, CONSULT THE FACTORY  
 ALL PADS ARE FINISHED ON BOTH SIDES



## TYPE AWF-45

45° WELD TERMINAL  
PIPE TO FLAT

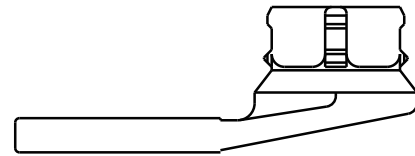
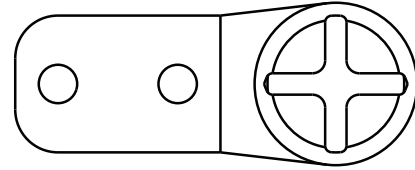


HOMAC CATALOG NUMBER	SPS	T	AMPS
<b>3" 4-HOLE NEMA FLAT</b>			
AWF-J-4N45	2	5/8	1155
AWF-K-4N45	2 1/2	3/4	1550
AWF-L-4N45	3		1895
AWF-M-4N45	3 1/2	1	2170
AWF-P-4N45	4	7/8	2000
AWF-R-4N45	5		
AWF-S-4N45	6		
<b>4" 4-HOLE NEMA FLAT</b>			
AWF-J-4NN45	2	5/8	1155
AWF-K-4NN45	2 1/2		1550
AWF-L-4NN45	3		1895
AWF-M-4NN45	3 1/2	7/8	2170
AWF-P-4NN45	4	1	2460
AWF-R-4NN45	5	1 1/8	3080
AWF-S-4NN45	6	1 7/8	3750

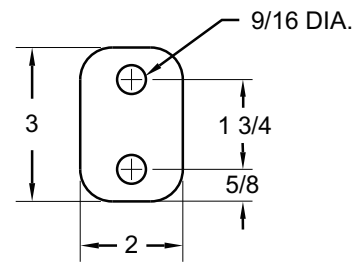
FOR SCHEDULE 80 PIPE, ADD "H" TO CATALOG NUMBER; E.G. "AWFH-J-4N45"  
 OTHER SIZES AVAILABLE, CONSULT THE FACTORY  
 ALL PADS ARE FINISHED ON BOTH SIDES

## TYPE AWF-90

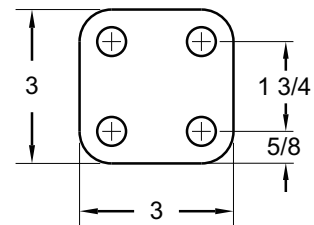
90° WELD TERMINAL  
PIPE TO FLAT



HOMAC CATALOG NUMBER	SPS	T	AMPS
<b>2-HOLE NEMA FLAT</b>			
AWF-E-2N90	3/4	3/8	600
AWF-F-2N90	1		
AWF-G-2N90	1 1/4	1/2	
AWF-H-2N90	1 1/2		
AWF-J-2N90	2		
AWF-K-2N90	2 1/2	5/8	
AWF-L-2N90	3		
AWF-M-2N90	3 1/2	7/8	
AWF-P-2N90	4		
AWF-R-2N90	5	1	
AWF-S-2N90	6		
<b>3" 4-HOLE NEMA FLAT</b>			
AWF-E-4N90	3/4	3/8	495
AWF-F-4N90	1		650
AWF-G-4N90	1 1/4		810
AWF-H-4N90	1 1/2		930

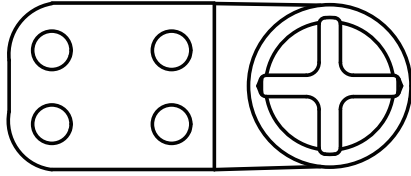


2-HOLE NEMA FLAT



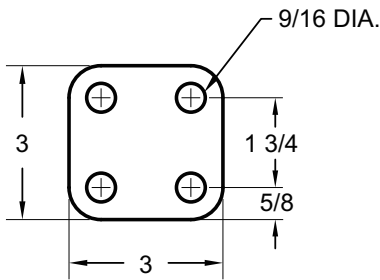
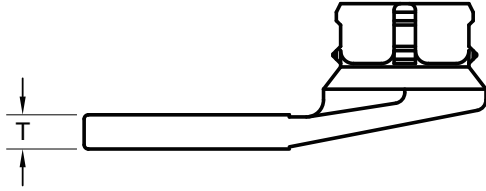
3" 4-HOLE NEMA FLAT

FOR SCHEDULE 80 PIPE, ADD "H" TO CATALOG NUMBER; E.G. "AWFH-E-4N90"  
 OTHER SIZES AVAILABLE, CONSULT THE FACTORY  
 ALL PADS ARE FINISHED ON BOTH SIDES

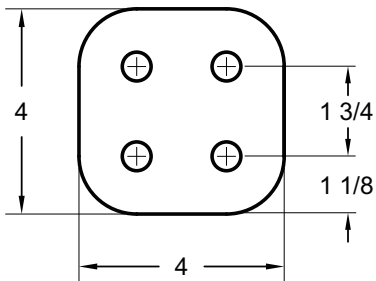


## TYPE AWF-90

90° WELD TERMINAL  
PIPE TO FLAT



3" 4-HOLE NEMA FLAT



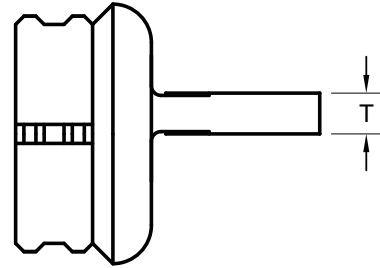
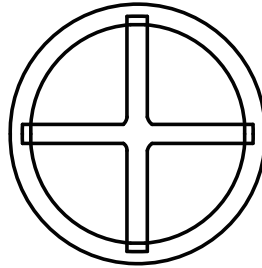
4" 4-HOLE NEMA FLAT

HOMAC CATALOG NUMBER	SPS	T	AMPS
<b>3" 4-HOLE NEMA FLAT</b>			
AWF-J-4N90	2	5/8	1155
AWF-K-4N90	2 1/2	3/4	1550
AWF-L-4N90	3		1895
AWF-M-4N90	3 1/2	1	2170
AWF-P-4N90	4	7/8	2000
AWF-R-4N90	5		
AWF-S-4N90	6		
<b>4" 4-HOLE NEMA FLAT</b>			
AWF-J-4NN90	2	5/8	1155
AWF-K-4NN90	2 1/2		1550
AWF-L-4NN90	3		1895
AWF-M-4NN90	3 1/2	7/8	2170
AWF-P-4NN90	4	1	2460
AWF-R-4NN90	5	1 1/8	3080
AWF-S-4NN90	6	1 7/8	3750

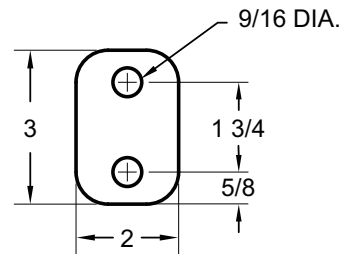
FOR SCHEDULE 80 PIPE, ADD "H" TO CATALOG NUMBER; E.G. "AWFH-J-4N90"  
 OTHER SIZES AVAILABLE, CONSULT THE FACTORY  
 ALL PADS ARE FINISHED ON BOTH SIDES

## TYPE AWEE

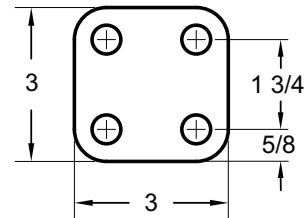
WELD TERMINAL  
PIPE TO  
CENTER FORMED FLAT



HOMAC CATALOG NUMBER	SPS	T	AMPS
<b>2-HOLE NEMA FLAT</b>			
AWEE-E-2N	3/4	3/8	600
AWEE-F-2N	1		
AWEE-G-2N	1 1/4	1/2	
AWEE-H-2N	1 1/2		
AWEE-J-2N	2		
AWEE-K-2N	2 1/2	5/8	
AWEE-L-2N	3		
AWEE-M-2N	3 1/2	7/8	
AWEE-P-2N	4	1	
AWEE-R-2N	5		
AWEE-S-2N	6		
<b>3" 4-HOLE NEMA FLAT</b>			
AWEE-E-4N	3/4	3/8	495
AWEE-F-4N	1		650
AWEE-G-4N	1 1/4		810
AWEE-H-4N	1 1/2		930



2-HOLE NEMA FLAT

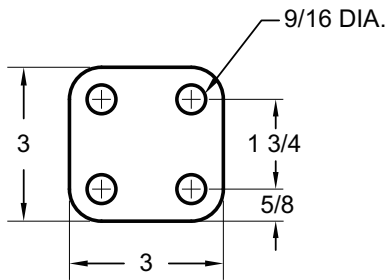
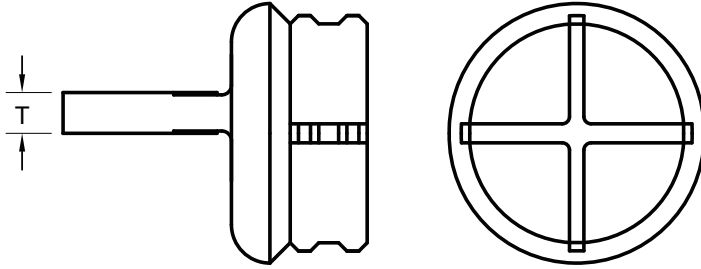


3" 4-HOLE NEMA FLAT

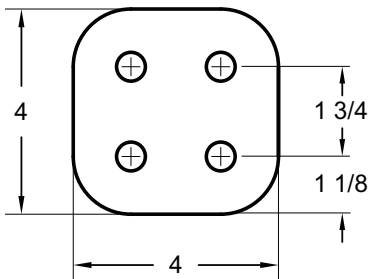
FOR SCHEDULE 80 PIPE, ADD "H" TO CATALOG NUMBER; E.G. "AWEEH-E-4N"  
 OTHER SIZES AVAILABLE, CONSULT THE FACTORY  
 ALL PADS ARE FINISHED ON BOTH SIDES

## TYPE AWEE

WELD TERMINAL  
PIPE TO  
CENTER FORMED FLAT



3" 4-HOLE NEMA FLAT



4" 4-HOLE NEMA FLAT

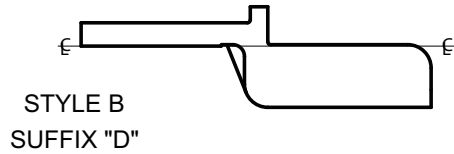
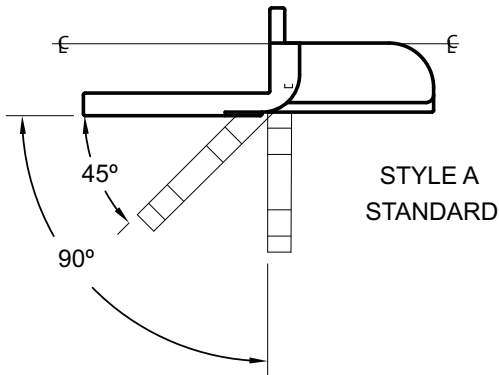
HOMAC CATALOG NUMBER	SPS	T	AMPS
<b>3" 4-HOLE NEMA FLAT</b>			
AWEE-J-4N	2	5/8	1155
AWEE-K-4N	2 1/2	3/4	1550
AWEE-L-4N	3		1895
AWEE-M-4N	3 1/2	1	2170
AWEE-P-4N	4	7/8	2000
AWEE-R-4N	5		
AWEE-S-4N	6		
<b>4" 4-HOLE NEMA FLAT</b>			
AWEE-J-4NN	2	5/8	1155
AWEE-K-4NN	2 1/2		1550
AWEE-L-4NN	3		1895
AWEE-M-4NN	3 1/2	7/8	2170
AWEE-P-4NN	4		2000
AWEE-R-4NN	5		
AWEE-S-4NN	6	1 7/8	3750

FOR SCHEDULE 80 PIPE, ADD "H" TO CATALOG NUMBER; E.G. "AWEEH-J-4NN"  
OTHER SIZES AVAILABLE, CONSULT THE FACTORY  
ALL PADS ARE FINISHED ON BOTH SIDES

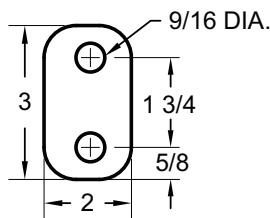


## TYPE AWO

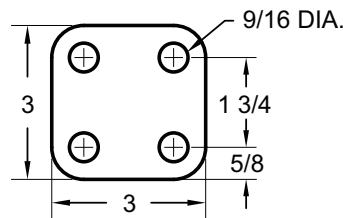
### WELD TERMINAL PIPE TO FLAT



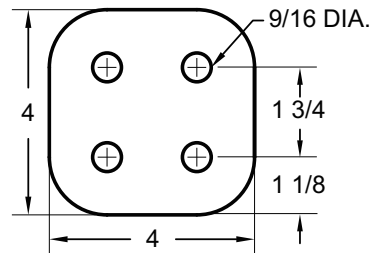
CONTACT SURFACE ON CENTER LINE OF BUS



**2-HOLE NEMA FLAT  
"2N"**



**3" 4-HOLE NEMA FLAT  
"4N"**



**4" 4-HOLE NEMA FLAT  
"4NN"**

CATALOG NUMBERS WILL BE DESIGNATED FROM THE FOLLOWING INFORMATION:

**STYLE A**  
AWO - (PIPE LETTER) - (PAD SIZE)  
E.G.: "AWO-R-2N"

AWO - (PIPE LETTER) - (PAD SIZE)(PAD ANGLE)  
E.G.: "AWO-R-4N90"

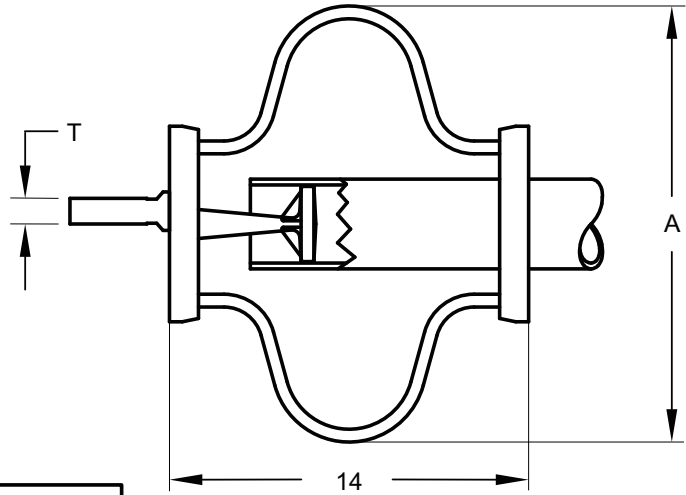
**STYLE B**  
AWO - (PIPE LETTER) - (PAD SIZE)(CONTACT SURFACE)  
E.G.: "AWO-R-4NND"

PIPE SIZE SCHEDULE 40 OR 80	PIPE LETTER
1	F
1 1/4	G
1 1/2	H
2	J
2 1/2	K
3	L
3 1/2	M
4	P
5	R
6	S

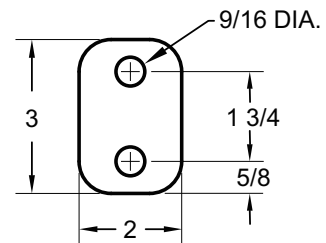
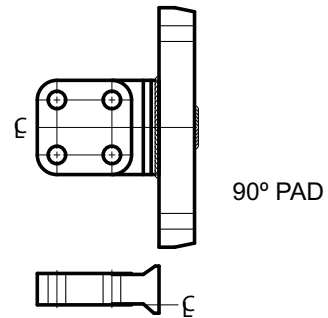
OTHER SIZES AVAILABLE, CONSULT THE FACTORY  
PARTS ARE DESIGNED FOR USE WITH EITHER SCHEDULE 40 OR 80 PIPE  
ALL PADS ARE FINISHED ON BOTH SIDES

## TYPE AWEPC

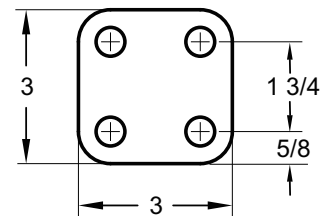
WELD EXPANSION TERMINAL  
PIPE TO  
CENTER FORMED FLAT



HOMAC CATALOG NUMBER	SPS	A MAX.	T	AMPS
<b>2-HOLE NEMA FLAT</b>				
AWEPC-H-2N	1 1/2	11 1/8	3/4	930
AWEPC-J-2N	2	12 1/2		1155
AWEPC-K-2N	2 1/2			1550
AWEPC-L-2N	3	14		1895
AWEPC-M-2N	3 1/2			2170
AWEPC-P-2N	4	17		2250
AWEPC-R-2N	5	19		
AWEPC-S-2N	6			
<b>3" 4-HOLE NEMA FLAT</b>				
AWEPC-H-4N	1 1/2	11 1/8	1	930
AWEPC-J-4N	2	12 1/2		1155
AWEPC-K-4N	2 1/2			1550
AWEPC-L-4N	3	14		1895
AWEPC-M-4N	3 1/2			2170
AWEPC-P-4N	4	17		2460
AWEPC-R-4N	5	19		
AWEPC-S-4N	6			

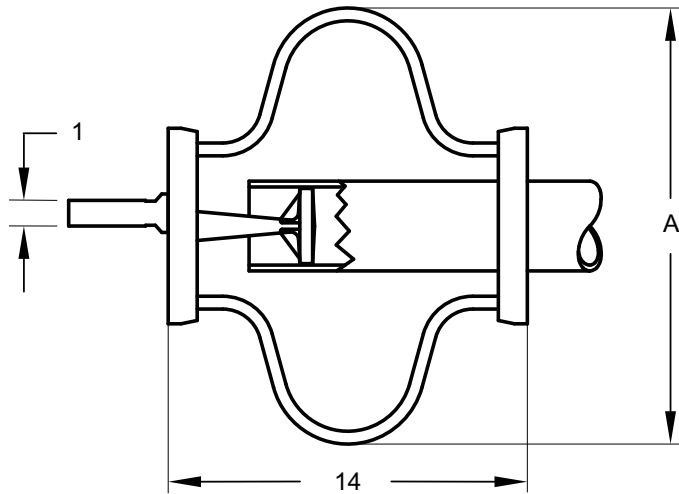


2-HOLE NEMA FLAT



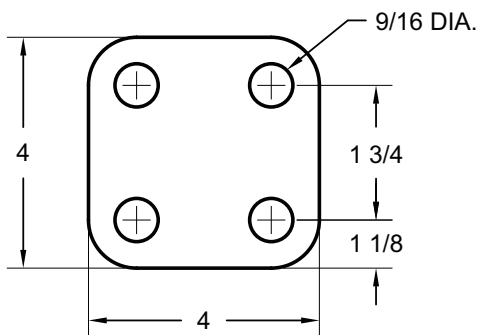
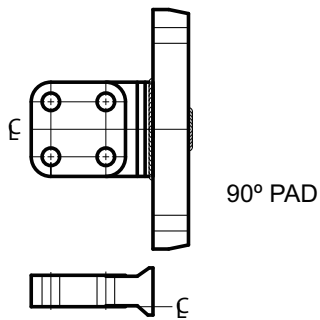
3" 4-HOLE NEMA FLAT

OTHER SIZES AVAILABLE, CONSULT THE FACTORY  
 FOR SCHEDULE 80 PIPE ADD "H" TO CATALOG NUMBER: E.G. "AWEPC-H-S-4N"  
 FOR 90° ROTATED PAD, ADD SUFFIX "-90" TO CATALOG NUMBER E.G. "AWEPC-S-4N-90"  
 USE CHART GA-735 FOR INSTALLATION SEE GENERAL REFERENCE PAGE 24  
 ALL PADS ARE FINISHED ON BOTH SIDES.



## TYPE AWEPC

WELD EXPANSION TERMINAL  
PIPE TO  
CENTER FORMED FLAT



4" 4-HOLE NEMA FLAT

HOMAC CATALOG NUMBER	SPS	A MAX.	AMPS
<b>4" 4-HOLE NEMA FLAT</b>			
AWEPC-H-4NN	1 1/2	11 1/8	930
AWEPC-J-4NN	2	12 1/2	1155
AWEPC-K-4NN	2 1/2		1550
AWEPC-L-4NN	3	14	1895
AWEPC-M-4NN	3 1/2		2170
AWEPC-P-4NN	4	17	2460
AWEPC-R-4NN	5	19	3000
AWEPC-S-4NN	6		

OTHER SIZES AVAILABLE, CONSULT THE FACTORY

FOR SCHEDULE 80 PIPE ADD "H" TO CATALOG NUMBER: E.G. "AWEPC-H-S-4NN"

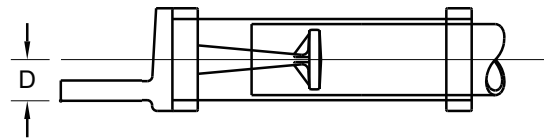
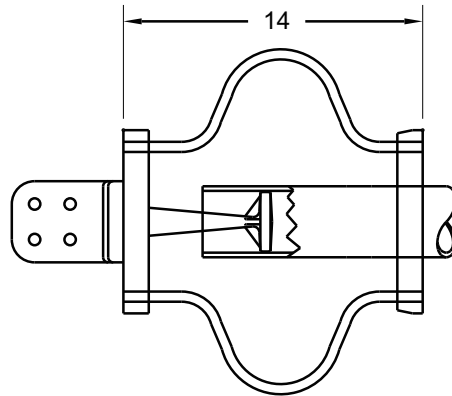
FOR 90° ROTATED PAD, ADD SUFFIX "90" TO CATALOG NUMBER E.G. "AWEPC-S-4NN90"

USE CHART GA-735 FOR INSTALLATION SEE GENERAL REFERENCE PAGE 24

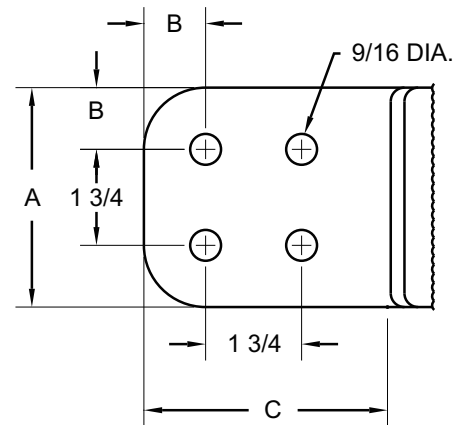
ALL PADS ARE FINISHED ON BOTH SIDES.

## TYPE AWEPF

WELD EXPANSION TERMINAL  
PIPE TO  
SIDE FORMED FLAT



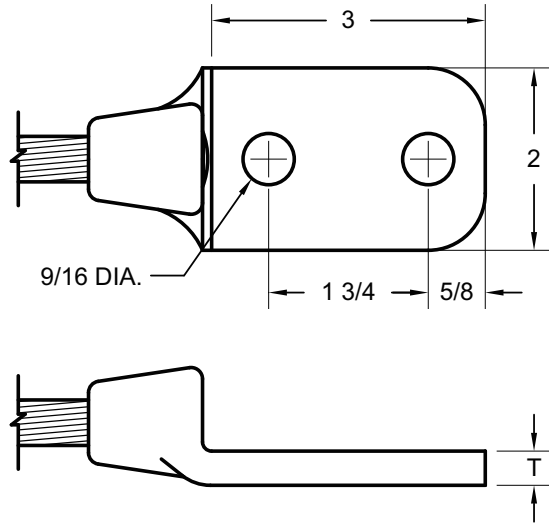
HOMAC CATALOG NUMBER	SPS	A	B	C	D	AMPS
<b>3" 4-HOLE NEMA FLAT</b>						
AWEPF-H-4N	1 1/2	3	5/8	3	1 1/2	930
AWEPF-J-4N	2				1 3/4	1155
AWEPF-K-4N	2 1/2				2	1550
AWEPF-L-4N	3				1895	
AWEPF-M-4N	3 1/2				2 5/8	2170
AWEPF-P-4N	4				2 7/8	2460
AWEPF-R-4N	5				3 1/2	3000
AWEPF-S-4N	6				3 7/8	
<b>4" 4-HOLE NEMA FLAT</b>						
AWEPF-H-4NN	1 1/2	4	1 1/8	4	1 1/2	930
AWEPF-J-4NN	2				1 3/4	1155
AWEPF-K-4NN	2 1/2				2	1550
AWEPF-L-4NN	3				2 1/2	1895
AWEPF-M-4NN	3 1/2				2 5/8	2170
AWEPF-P-4NN	4				2 7/8	2460
AWEPF-R-4NN	5				3 1/2	3000
AWEPF-S-4NN	6				3 7/8	



OTHER SIZES AVAILABLE, CONSULT THE FACTORY  
 FOR SCHEDULE 80 PIPE ADD "H" TO CATALOG NUMBER: E.G. "AWEPFH-S-4NN"  
 USE CHART GA-735 FOR INSTALLATION SEE GENERAL REFERENCE PAGE 24  
 ALL PADS ARE FINISHED ON BOTH SIDES.

**TYPE AWM**

WELD TERMINAL  
CABLE TO  
2-HOLE NEMA FLAT

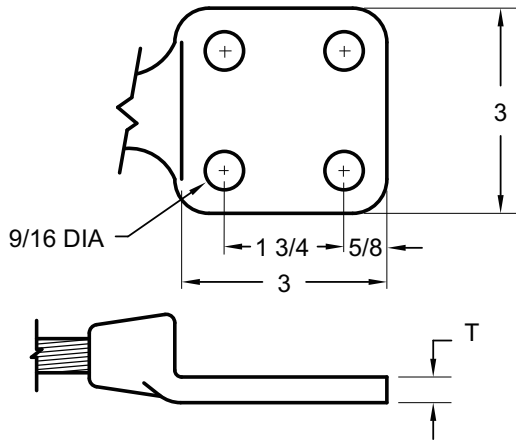


HOMAC CATALOG NUMBER	CABLE SIZE		CABLE DIAMETER MIN.-MAX.	T
	AAC	ACSR		
AWM-1/0-2N	1/0	1/0	.368 - .393	7/16
AWM-2/0-2N	2/0	2/0	.414 - .460	
AWM-3/0-2N	3/0	3/0	.464 - .502	
AWM-4/0-2N	4/0	4/0	.522 - .566	
AWM-26-2N	250	266.8 (18/1)	.567 - .609	
AWM-30-2N	300	266.8 (26/7)	.629 - .660	
AWM-35-2N	336.4 - 350	300 - 336.4 (18/1)	.666 - .700	
AWM-40-2N	397.5 - 400	336.4 (26/7) - 397.5 (18/1)	.721 - .743	
AWM-47-2N	450 - 477	397.5 (24/7) & (30/7)	.770 - .806	
AWM-55-2N	500 - 550	397.5 (30/7) - 477 (26/7)	.806 - .858	
AWM-60-2N	556.5 - 600	477 (26/7) - 556.5 (24/7)	.856 - .915	
AWM-70-2N	636 - 700	556.5 (26/7) - 605 (26/7)	.918 - .974	
AWM-79-2N	750 - 795	636 (24/7) - 666.6 (26/7)	.977 - 1.030	
AWM-87-2N	874.5	715.5	1.036 - 1.081	
AWM-95-2N	900 - 954	795 (24/7) & (30/19)	1.092 - 1.146	
AWM-103-2N	1000 - 1033.5	900 (54/7) - 954 (54/7)	1.152 - 1.196	
AWM-119-2N	1100 - 1192.5	1033.5 - 1113 (45/7)	1.203 - 1.259	

ALL PADS ARE FINISHED ON BOTH SIDES.


  
**THE HOMAC COMPANIES**
  
**SUBSTATION PRODUCTS**

**WELD ALUMINUM**



**TYPE AWM**

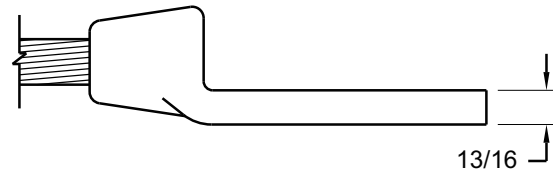
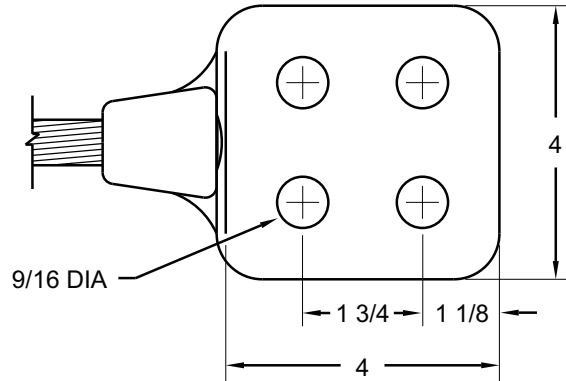
**WELD TERMINAL  
CABLE TO  
3" 4-HOLE NEMA FLAT**

HOMAC CATALOG NUMBER	CABLE SIZE		CABLE DIAMETER MIN.-MAX.	T
	AAC	ACSR		
AWM-1/0-4N	1/0	1/0	.368 - .393	9/16
AWM-2/0-4N	2/0	2/0	.414 - .460	
AWM-3/0-4N	3/0	3/0	.464 - .502	
AWM-4/0-4N	4/0	4/0	.522 - .566	
AWM-26-4N	250	266.8 (18/1)	.567 - .609	
AWM-30-4N	300	266.8 (26/7)	.629 - .660	
AWM-35-4N	336.4 - 350	300 - 336.4 (18/1)	.666 - .700	
AWM-40-4N	397.5 - 400	336.4 (26/7) - 397.5 (18/1)	.721 - .743	
AWM-47-4N	450 - 477	397.5 (24/7) & (30/7)	.770 - .806	
AWM-55-4N	500 - 550	397.5 (30/7) - 477 (26/7)	.806 - .858	1/2
AWM-60-4N	556.5 - 600	477 (26/7) - 556 (24/7)	.856 - .915	
AWM-70-4N	636 - 700	556.5 (26/7) - 605 (26/7)	.918 - .974	
AWM-79-4N	750 - 795	636 (24/7) - 666.6 (26/7)	.977 - 1.030	
AWM-87-4N	874.5	715.5	1.036 - 1.081	
AWM-95-4N	900 - 954	795 (24/7) & (30/19)	1.092 - 1.146	
AWM-103-4N	1000 - 1033.5	900 (54/7) - 954 (54/7)	1.152 - 1.196	
AWM-119-4N	1100 - 1192.5	1033.5 - 1113 (45/7)	1.203 - 1.259	
AWM-130-4N	1200 - 1300	1113 (45/7) - 1192.5 (54/19)	1.259 - 1.334	
AWM-143-4N	1351.5 - 1431	1272 - 1351(45/7)	1.340 - 1.398	
AWM-150-4N	1431 -1500	1272 (54/19) - 1351.5 (45/7)	1.364 - 1.412	
AWM-160-4N	1510.5 - 1600	1351.5 (54/19) - 1510.5 (45/7)	1.415 - 1.478	
AWM-180-4N	1700 - 1800	1510.5 (54/19) - 1590	1.492 - 1.548	
AWM-200-4N	1900 - 2000	1780	1.571 - 1.630	
AWM-225-4N	2250	2167 (72/7)	1.667 - 1.735	
AWM-230-4N	2300	2156 (84/19) - 2312	1.751 - 1.802	
AWM-251-4N	2500 - 2515	N/A	1.820 - 1.880	
AWM-300-4N	2750 - 3000	N/A	1.912 - 1.996	

ALL PADS ARE FINISHED ON BOTH SIDES

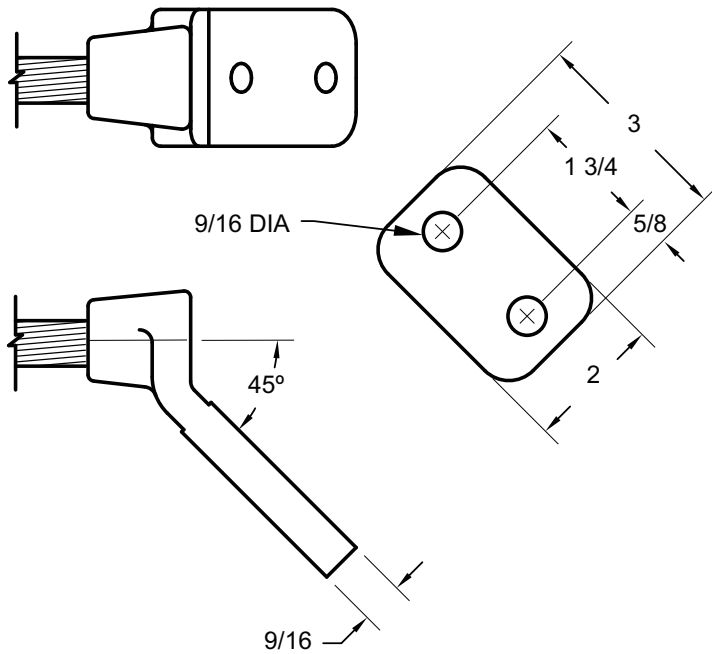
**TYPE AWM**

WELD TERMINAL  
CABLE TO  
4" 4-HOLE NEMA FLAT



HOMAC CATALOG NUMBER	CABLE SIZE		CABLE DIAMETER MIN.-MAX.
	AAC	ACSR	
AWM-55-4NN	500 - 550	397.5 (30/7) - 477 (26/7)	.806 - .858
AWM-60-4NN	556.5 - 600	477 (26/7) - 556 (24/7)	.856 - .915
AWM-70-4NN	636 - 700	556.5 (26/7) - 605 (26/7)	.918 - .974
AWM-79-4NN	750 - 795	636 (24/7) - 666.6 (26/7)	.977 - 1.030
AWM-87-4NN	874.5	715.5	1.036 - 1.081
AWM-95-4NN	900 - 954	795 (24/7) & (30/19)	1.092 - 1.146
AWM-103-4NN	1000 - 1033.5	900 (54/7) - 954 (54/7)	1.152 - 1.196
AWM-119-4NN	1100 - 1192.5	1033.5 - 1113 (45/7)	1.203 - 1.259
AWM-130-4NN	1200 - 1300	1113 (45/7) - 1192.5 (54/19)	1.259 - 1.334
AWM-143-4NN	1351.5 - 1431	1272 - 1351 (45/7)	1.340 - 1.398
AWM-150-4NN	1431 - 1500	1272 (54/19) - 1351.5 (45/7)	1.364 - 1.412
AWM-160-4NN	1510.5 - 1600	1351.5 (54/19) - 1510.5 (45/7)	1.415 - 1.478
AWM-180-4NN	1700 - 1800	1510.5 (54/19) - 1590	1.492 - 1.548
AWM-200-4NN	1900 - 2000	1780	1.571 - 1.630
AWM-225-4NN	2250	2167 (72/7)	1.667 - 1.735
AWM-230-4NN	2300	2156 (84/19) - 2312	1.751 - 1.802
AWM-251-4NN	2500 - 2515	N/A	1.820 - 1.880
AWM-300-4NN	2750 - 3000	N/A	1.912 - 1.996

ALL PADS ARE FINISHED ON BOTH SIDES



**TYPE AWM-45**

**45° WELD TERMINAL  
CABLE TO  
2-HOLE NEMA FLAT**

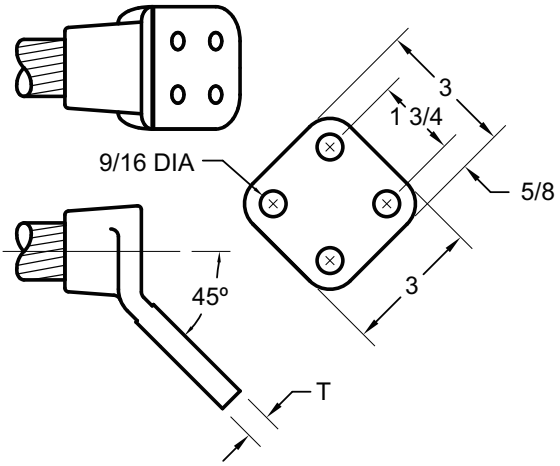
HOMAC CATALOG NUMBER	CABLE SIZE		CABLE DIAMETER MIN.-MAX.
	AAC	ACSR	
AWM-1/0-2N45	1/0	1/0	.368 - .393
AWM-2/0-2N45	2/0	2/0	.414 - .460
AWM-3/0-2N45	3/0	3/0	.464 - .502
AWM-4/0-2N45	4/0	4/0	.522 - .566
AWM-26-2N45	250	266.8 (18/1)	.567 - .609
AWM-30-2N45	300	266.8 (26/7)	.629 - .660
AWM-35-2N45	336.4 - 350	300 - 336.4 (18/1)	.666 - .700
AWM-40-2N45	397.5 - 400	336.4 (26/7) - 397.5 (18/1)	.721 - .743
AWM-47-2N45	450 - 477	397.5 (24/7) & (30/7)	.770 - .806
AWM-55-2N45	500 - 550	397.5 (30/7) - 477 (26/7)	.806 - .858
AWM-60-2N45	556.5 - 600	477 (26/7) - 556 (24/7)	.856 - .915
AWM-70-2N45	636 - 700	556.5 (26/7) - 605 (26/7)	.918 - .974
AWM-79-2N45	750 - 795	636 (24/7) - 666.6 (30/7)	.977 - 1.030
AWM-87-2N45	874.5	715.5	1.036 - 1.081
AWM-95-2N45	900 - 954	795 (24/7) & (30/19)	1.092 - 1.146
AWM-103-2N45	1000 - 1033.5	900 (54/7) - 954 (54/7)	1.152 - 1.196
AWM-119-2N45	1100 - 1192.5	1033.5 - 1113 (45/7)	1.203 - 1.259

ALL PADS ARE FINISHED ON BOTH SIDES.



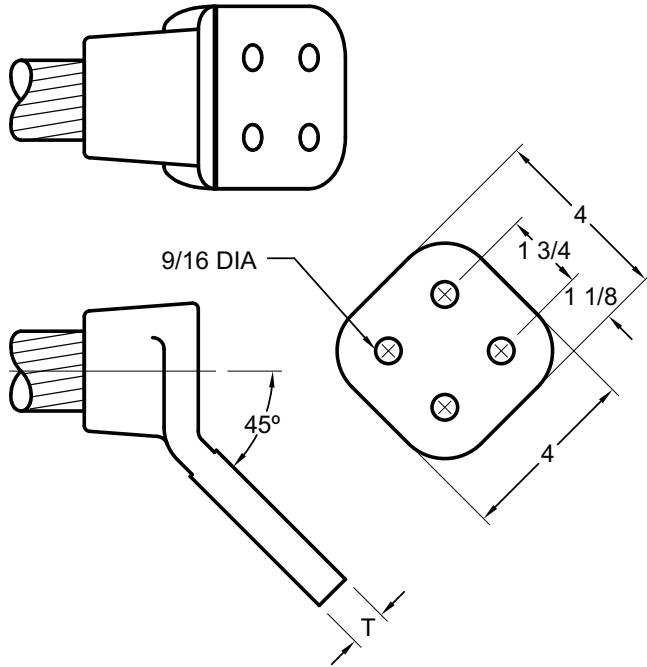
## TYPE AWM-45

45° WELD TERMINAL  
CABLE TO  
3" 4-HOLE NEMA FLAT



HOMAC CATALOG NUMBER	CABLE SIZE		CABLE DIAMETER MIN.-MAX.	T
	AAC	ACSR		
AWM-1/0-4N45	1/0	1/0	.368 - .393	3/8
AWM-2/0-4N45	2/0	2/0	.414 - .460	
AWM-3/0-4N45	3/0	3/0	.464 - .502	
AWM-4/0-4N45	4/0	4/0	.522 - .566	
AWM-26-4N45	250	266.8 (18/1)	.567 - .609	
AWM-30-4N45	300	266.8 (26/7)	.629 - .660	
AWM-35-4N45	336.4 - 350	300 - 336.4 (18/1)	.666 - .700	
AWM-40-4N45	397.5 - 400	336.4 (26/7) - 397.5 (18/1)	.721 - .743	
AWM-47-4N45	450 - 477	397.5 (24/7) & (30/7)	.770 - .806	
AWM-55-4N45	500 - 550	397.5 (30/7) - 477 (26/7)	.806 - .858	5/8
AWM-60-4N45	556.5 - 600	477 (26/7) - 556 (24/7)	.856 - .915	
AWM-70-4N45	636 - 700	556.5 (26/7) - 605 (26/7)	.918 - .974	
AWM-79-4N45	750 - 795	636 (24/7) - 666.6 (26/7)	.977 - 1.030	
AWM-87-4N45	874.5	715.5	1.036 - 1.081	
AWM-95-4N45	900 - 954	795 (24/7) & (30/19)	1.092 - 1.146	
AWM-103-4N45	1000 - 1033.5	900 (54/7) - 954 (54/7)	1.152 - 1.196	11/16
AWM-119-4N45	1100 - 1192.5	1033.5 - 1113 (45/7)	1.203 - 1.259	
AWM-130-4N45	1200 - 1300	1113 (45/7) - 1192.5 (54/19)	1.259 - 1.334	
AWM-143-4N45	1351.5 - 1431	1272 - 1351.5 (45/7)	1.340 - 1.398	
AWM-150-4N45	1431 - 1500	1272 (54/19) - 1351.5 (45/7)	1.364 - 1.412	
AWM-160-4N45	1510.5 - 1600	1351.5 (54/19) - 1510.5 (45/7)	1.415 - 1.478	
AWM-180-4N45	1700 - 1800	1510.5 (54/19) - 1590	1.492 - 1.548	
AWM-200-4N45	1900 - 2000	1780	1.571 - 1.630	
AWM-225-4N45	2250	2167 (72/7)	1.667 - 1.735	
AWM-230-4N45	2300	2156 (84/19) - 2312	1.751 - 1.802	
AWM-251-4N45	2500 - 2515	N/A	1.820 - 1.880	
AWM-300-4N45	2750 - 3000	N/A	1.912 - 1.996	

ALL PADS ARE FINISHED ON BOTH SIDES



**TYPE AWM-45**

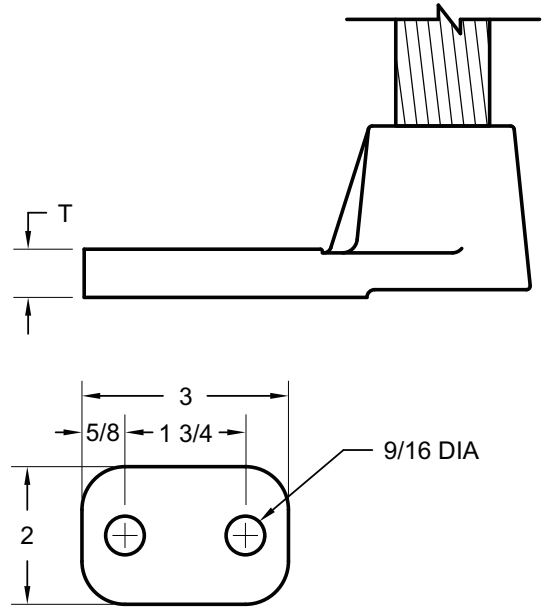
**45° WELD TERMINAL  
CABLE TO  
4" 4-HOLE NEMA FLAT**

HOMAC CATALOG NUMBER	CABLE SIZE		CABLE DIAMETER MIN.-MAX.	T
	AAC	ACSR		
AWM-55-4NN45	500 - 550	397.5 (30/7) - 477 (26/7)	.806 - .858	5/8
AWM-60-4NN45	556.5 - 600	477 (26/7) - 556 (24/7)	.856 - .915	
AWM-70-4NN45	636 - 700	556.5 (26/7) - 605 (26/7)	.918 - .974	
AWM-79-4NN45	750 - 795	636 (24/7) - 666.6 (26/7)	.977 - 1.030	
AWM-87-4NN45	874.5	715.5	1.036 - 1.081	
AWM-95-4NN45	900 - 954	795 (24/7) & (30/19)	1.092 - 1.146	
AWM-103-4NN45	1000 - 1033.5	900 (54/7) - 954 (54/7)	1.152 - 1.196	
AWM-119-4NN45	1100 - 1192.5	1033.5 - 1113 (45/7)	1.203 - 1.259	
AWM-130-4NN45	1200 - 1300	1113 (45/7) - 1192 (54/19)	1.259 - 1.334	
AWM-143-4NN45	1351.5 - 1431	1272 - 1351.5 (45/7)	1.340 - 1.398	
AWM-150-4NN45	1431 - 1500	1272 (54/19) - 1351.5 (45/7)	1.364 - 1.412	
AWM-160-4NN45	1510.5 - 1600	1351.5 (54/19) - 1510.5 (45/7)	1.415 - 1.478	
AWM-180-4NN45	1700 - 1800	1510.5 (54/19) - 1590	1.492 - 1.548	
AWM-200-4NN45	1900 - 2000	1780	1.571 - 1.630	13/16
AWM-225-4NN45	2250	2167 (72/7)	1.667 - 1.735	
AWM-230-4NN45	2300	2156 (84/19) - 2312	1.751 - 1.802	
AWM-251-4NN45	2500 - 2515	N/A	1.820 - 1.880	
AWM-300-4NN45	2750 - 3000	N/A	1.912 - 1.996	

ALL PADS ARE FINISHED ON BOTH SIDES

## TYPE AWM-90

90° WELD TERMINAL  
CABLE TO  
2-HOLE NEMA FLAT

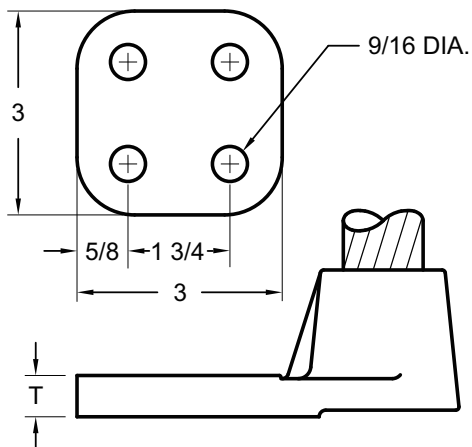


HOMAC CATALOG NUMBER	CABLE SIZE		CABLE DIAMETER MIN.-MAX.	T
	AAC	ACSR		
AWM-1/0-2N90	1/0	1/0	.368 - .393	1/2
AWM-2/0-2N90	2/0	2/0	.414 - .460	
AWM-3/0-2N90	3/0	3/0	.464 - .502	
AWM-4/0-2N90	4/0	4/0	.522 - .566	
AWM-26-2N90	250	266.8 (18/1)	.567 - .609	
AWM-30-2N90	300	266.8 (26/7)	.629 - .660	
AWM-35-2N90	336.4 - 350	300 - 336.4 (18/1)	.666 - .700	
AWM-40-2N90	397.5 - 400	336.4 (26/7) - 397.5 (18/1)	.721 - .743	
AWM-47-2N90	450 - 477	397.5 (24/7) & (30/7)	.770 - .806	
AWM-55-2N90	500 - 550	397.5 (30/7) - 477 (26/7)	.806 - .858	
AWM-60-2N90	556.5 - 600	477 (26/7) - 556 (24/7)	.856 - .915	
AWM-70-2N90	636 - 700	556.5 (26/7) - 605 (26/7)	.918 - .974	
AWM-79-2N90	750 - 795	636 (24/7) - 666.6 (26/7)	.977 - 1.030	
AWM-87-2N90	874.5	715.5	1.036 - 1.081	
AWM-95-2N90	900 - 954	795 (24/7) & (30/19)	1.092 - 1.146	
AWM-103-2N90	1000 - 1033.5	900 (54/7) - 954 (54/7)	1.152 - 1.196	
AWM-119-2N90	1100 - 1192.5	1033.5 - 1113 (45/7)	1.203 - 1.259	

ALL PADS ARE FINISHED ON BOTH SIDES


  
**THE HOMAC COMPANIES**
  
**SUBSTATION PRODUCTS**

**WELD ALUMINUM**



**TYPE AWM-90**

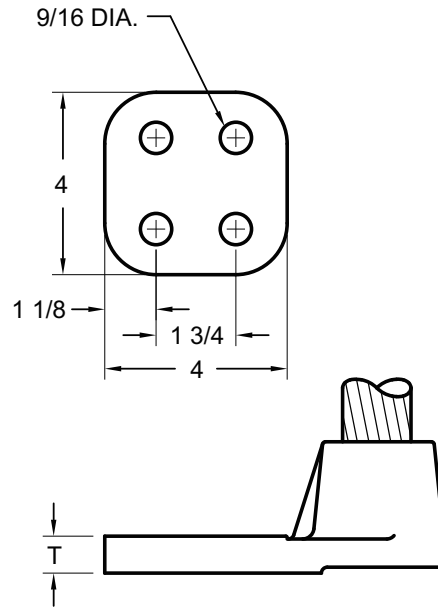
**90° WELD TERMINAL  
CABLE TO  
3" 4-HOLE NEMA FLAT**

HOMAC CATALOG NUMBER	CABLE SIZE		CABLE DIA. MIN-MAX	T
	AAC	ACSR		
AWM-1/0-4N90	1/0	1/0	.368 - .393	9/16
AWM-2/0-4N90	2/0	2/0	.414 - .460	
AWM-3/0-4N90	3/0	3/0	.464 - .502	
AWM-4/0-4N90	4/0	4/0	.522 - .566	
AWM-26-4N90	250	266.8 (18/1)	.567 - .609	
AWM-30-4N90	300	266.8 (26/7)	.629 - .660	
AWM-35-4N90	336.4 - 350	300 - 336.4 (18/1)	.666 - .700	
AWM-40-4N90	397.5 - 400	336.4 (26/7) - 397.5 (18/1)	.721 - .743	
AWM-47-4N90	450 - 477	397.5 (24/7) & (30/7)	.770 - .806	
AWM-55-4N90	500 - 550	397.5 (30/7) - 477 (26/7)	.806 - .858	1/2
AWM-60-4N90	556.5 - 600	477 (26/7) - 556 (24/7)	.856 - .915	
AWM-70-4N90	636 - 700	556.5 (26/7) - 605 (26/7)	.918 - .974	
AWM-79-4N90	750 - 795	636 (24/7) - 666.6 (26/7)	.977 - 1.030	
AWM-87-4N90	874.5	715.5	1.036 - 1.081	
AWM-95-4N90	900 - 954	795 (24/7) & (30/19)	1.092 - 1.146	
AWM-103-4N90	1000 - 1033.5	900 (54/7) - 954 (54/7)	1.152 - 1.196	
AWM-119-4N90	1100 - 1192.5	1033.5 - 1113 (45/7)	1.203 - 1.259	11/16
AWM-130-4N90	1200 - 1300	1113 (45/7) - 1192.5 (54/19)	1.259 - 1.334	
AWM-143-4N90	1351.5 - 1431	1272 - 1351 (45/7)	1.340 - 1.398	
AWM-150-4N90	1431 - 1500	1272 (54/19) - 1351.5 (45/7)	1.364 - 1.412	
AWM-160-4N90	1510.5 - 1600	1351.5 (54/19) - 1510.5 (45/7)	1.415 - 1.478	
AWM-180-4N90	1700 - 1800	1510.5 (54/19) - 1590	1.492 - 1.548	
AWM-200-4N90	1900 - 2000	1780	1.571 - 1.630	
AWM-225-4N90	2250	2167 (72/7)	1.667 - 1.735	
AWM-230-4N90	2300	2156 (84/19) - 2312	1.751 - 1.802	
AWM-251-4N90	2300 - 2515	N/A	1.820 - 1.880	
AWM-300-4N90	2750 - 3000	N/A	1.912 - 1.996	

ALL PADS ARE FINISHED ON BOTH SIDES

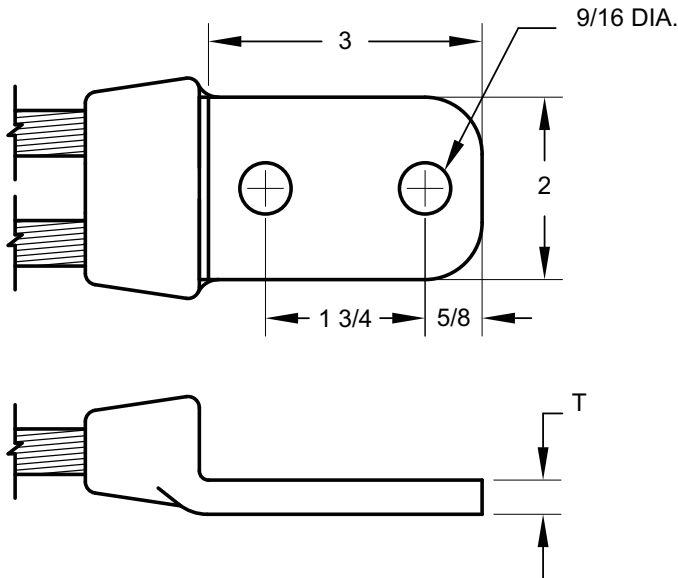
## TYPE AWM-90

90° WELD TERMINAL  
CABLE TO  
4" 4-HOLE NEMA FLAT



HOMAC CATALOG NUMBER	CABLE SIZE		CABLE DIAMETER MIN.-MAX.	T
	AAC	ACSR		
AWM-55-4NN90	500 - 550	397.5 (30/7) - 477 (26/7)	.806 - .858	13/16
AWM-60-4NN90	556.5 - 600	477 (26/7) - 556 (24/7)	.856 - .915	
AWM-70-4NN90	636 - 700	556.5 (26/7) - 605 (26/7)	.918 - .974	
AWM-79-4NN90	750 - 795	636 (24/7) - 666.6 (26/7)	.977 - 1.030	
AWM-87-4NN90	874.5	715.5	1.036 - 1.081	
AWM-95-4NN90	900 - 954	795 (24/7) & (30/19)	1.092 - 1.146	
AWM-103-4NN90	1000 - 1033.5	900 (54/7) - 954 (54/7)	1.152 - 1.196	
AWM-119-4NN90	1100 - 1192.5	1033.5 - 1113 (45/7)	1.203 - 1.259	
AWM-130-4NN90	1200 - 1300	1113 (45/7) - 1192.5 (54/19)	1.259 - 1.334	
AWM-143-4NN90	1351.5 - 1431	1272 - 1351 (45/7)	1.340 - 1.398	
AWM-150-4NN90	1431 - 1500	1272 (54/19) - 1351.5 (45/7)	1.364 - 1.412	
AWM-160-4NN90	1510.5 - 1600	1351.5 (54/19) - 1510.5 (45/7)	1.415 - 1.478	
AWM-180-4NN90	1700 - 1800	1510.5 (54/19) - 1590	1.492 - 1.548	
AWM-200-4NN90	1900 - 2000	1780	1.571 - 1.630	
AWM-225-4NN90	2250	2167 (72/7)	1.667 - 1.735	
AWM-230-4NN90	2300	2156 (84/19) - 2312	1.751 - 1.802	
AWM-251-4NN90	2500 - 2515	N/A	1.820 - 1.880	
AWM-300-4NN90	2750 - 3000	N/A	1.912 - 1.996	

ALL PADS ARE FINISHED ON BOTH SIDES



**TYPE AWMM**

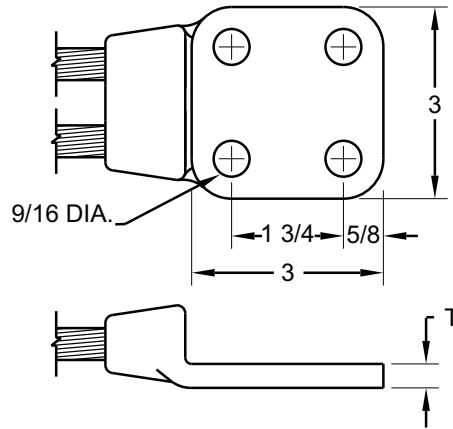
WELD TERMINAL  
(2) CABLES TO  
2-HOLE NEMA FLAT

HOMAC CATALOG NUMBER	CABLE SIZE		CABLE DIAMETER MIN.-MAX.	T
	AAC	ACSR		
AWMM-1/0-2N	1/0	1/0	.368 - .393	7/16
AWMM-2/0-2N	2/0	2/0	.414 - .460	
AWMM-3/0-2N	3/0	3/0	.464 - .502	
AWMM-4/0-2N	4/0	4/0	.522 - .566	
AWMM-26-2N	250	266.8 (18/1)	.567 - .609	
AWMM-30-2N	300	266.8 (26/7)	.629 - .660	
AWMM-35-2N	336.4 - 350	300 - 336.4 (18/1)	.666 - .700	
AWMM-40-2N	397.5 - 400	336.4 (26/7) - 397.5 (18/1)	.721 - .743	
AWMM-47-2N	450 - 477	397.5 (24/7) & (30/7)	.770 - .806	
AWMM-55-2N	500 - 550	397.5 (30/7) - 477 (26/7)	.806 - .858	
AWMM-60-2N	556.5 - 600	477 (26/7) - 556 (24/7)	.856 - .915	
AWMM-70-2N	636 - 700	556.5 (26/7) - 605 (26/7)	.918 - .974	3/4
AWMM-79-2N	750 - 795	636 (24/7) - 666.6 (26/7)	.977 - 1.030	7/8
AWMM-87-2N	874.5	715.5	1.036 - 1.081	1
AWMM-95-2N	900 - 954	795 (24/7) & (30/19)	1.092 - 1.146	
AWMM-103-2N	1000 - 1033.5	900 (54/7) - 954 (54/7)	1.152 - 1.196	
AWMM-119-2N	1100 - 1192.5	1033.5 - 1113 (45/7)	1.203 - 1.259	

ALL PADS ARE FINISHED ON BOTH SIDES

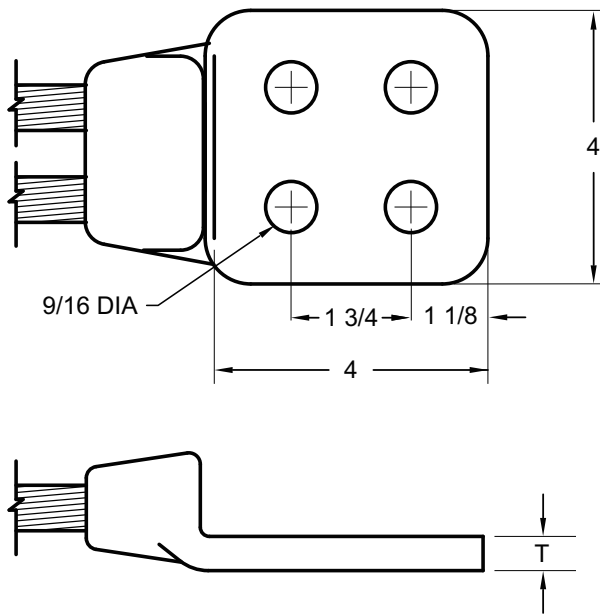
## TYPE AWMM

WELD TERMINAL  
(2) CABLES TO  
3" 4-HOLE NEMA FLAT



HOMAC CATALOG NUMBER	CABLE SIZE		CABLE DIAMETER MIN.-MAX.	T
	AAC	ACSR		
AWMM-1/0-4N	1/0	1/0	.368 - .393	1/2
AWMM-2/0-4N	2/0	2/0	.414 - .460	
AWMM-3/0-4N	3/0	3/0	.464 - .502	
AWMM-4/0-4N	4/0	4/0	.522 - .566	
AWMM-26-4N	250	266.8 (18/1)	.567 - .609	
AWMM-30-4N	300	266.8 (26/7)	.629 - .660	
AWMM-35-4N	336.4 - 350	300 - 336.4 (18/1)	.666 - .700	
AWMM-40-4N	397.5 - 400	336.4 (26/7) - 397.5 (18/1)	.721 - .743	
AWMM-47-4N	450 - 477	397.5 (24/7) & (30/7)	.770 - .806	
AWMM-55-4N	500 - 550	397.5 (30/7) - 477 (26/7)	.806 - .858	5/8
AWMM-60-4N	556.5 - 600	477 (26/7) - 556 (24/7)	.856 - .915	
AWMM-70-4N	636 - 700	556.5 (26/7) - 605 (26/7)	.918 - .974	
AWMM-79-4N	750 - 795	636 (24/7) - 666.6 (26/7)	.977 - 1.030	
AWMM-87-4N	874.5	715.5	1.036 - 1.081	
AWMM-95-4N	900 - 954	795 (24/7) & (30/19)	1.092 - 1.146	
AWMM-103-4N	1000 - 1033.5	900 (54/7) - 954 (54/7)	1.152 - 1.196	
AWMM-119-4N	1100 - 1192.5	1033.5 - 1113 (45/7)	1.203 - 1.259	7/8
AWMM-130-4N	1200 - 1300	1113 (45/7) - 1192.5 (54/19)	1.259 - 1.334	
AWMM-143-4N	1351.5 - 1431	1272 - 1351 (45/7)	1.340 - 1.398	
AWMM-150-4N	1431 - 1500	1272 (54/19) - 1351.5 (45/7)	1.364 - 1.412	
AWMM-160-4N	1510.5 - 1600	1351.5 (54/19) - 1510.5 (45/7)	1.415 - 1.478	
AWMM-180-4N	1700 - 1800	1510.5 (54/19) - 1590	1.492 - 1.548	1
AWMM-200-4N	1900 - 2000	1780	1.571 - 1.630	
AWMM-225-4N	2250	2167 (72/7)	1.667 - 1.735	
AWMM-230-4N	2300	2156 (84/19) - 2312	1.751 - 1.802	
AWMM-251-4N	2500 - 2515	N/A	1.820 - 1.880	
AWMM-300-4N	2750 - 3000	N/A	1.912 - 1.996	

ALL PADS ARE FINISHED ON BOTH SIDES



**TYPE AWMM**

WELD TERMINAL  
(2) CABLES TO  
4" 4-HOLE NEMA FLAT

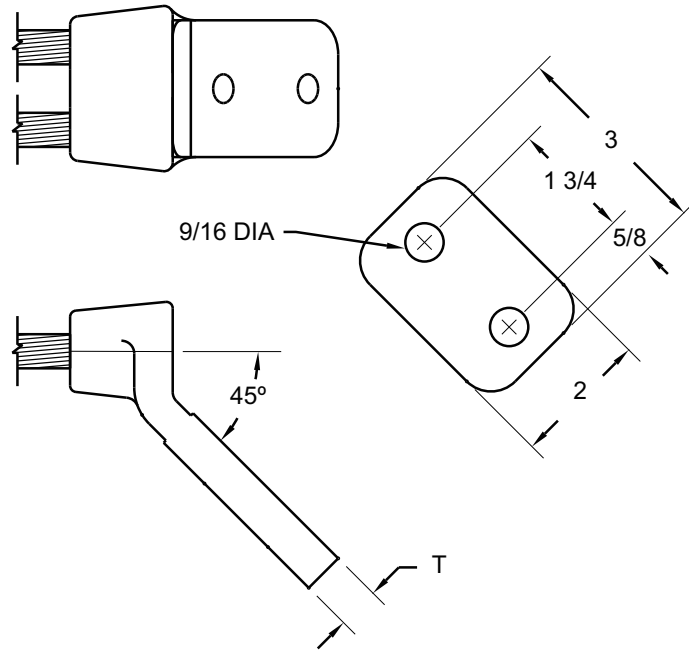
HOMAC CATALOG NUMBER	CABLE SIZE		CABLE DIAMETER MIN.-MAX.	T
	AAC	ACSR		
AWMM-55-4NN	500 - 550	397.5 (30/7) - 477 (26/7)	.806 - .858	5/8
AWMM-60-4NN	556.5 - 600	477 (26/7) - 556 (24/7)	.856 - .915	
AWMM-70-4NN	636 - 700	556.5 (26/7) - 605 (26/7)	.918 - .974	
AWMM-79-4NN	750 - 795	605 (24/7) - 666.6 (26/7)	.977 - 1.030	
AWMM-87-4NN	874.5	715.5	1.03 - 1.081	
AWMM-95-4NN	900 - 954	795 (24/7) & (30/19)	1.092 - 1.146	
AWMM-103-4NN	1000 - 1033.5	900 (54/7) - 954 (54/7)	1.152 - 1.196	
AWMM-119-4NN	1100 - 1192.5	1033.5 - 1113 (45/7)	1.203 - 1.259	
AWMM-130-4NN	1200 - 1300	1113 (45/7) - 1192.5 (54/19)	1.259 - 1.334	7/8
AWMM-143-4NN	1351.5 - 1431	1272 - 1351 (45/7)	1.340 - 1.398	
AWMM-150-4NN	1431 - 1500	1272 (54/19) - 1351.5 (45/7)	1.364 - 1.412	
AWMM-160-4NN	1510.5 - 1600	1351.5 (54/19) - 1510.5 (45/7)	1.415 - 1.478	
AWMM-180-4NN	1700 - 1800	1510.5 (54/19) - 1590	1.492 - 1.548	
AWMM-200-4NN	1900 - 2000	1780	1.571 - 1.630	1
AWMM-225-4NN	2250	2167 (72/7)	1.667 - 1.735	
AWMM-230-4NN	2300	2156 (84/19) - 2312	1.751 - 1.802	
AWMM-251-4NN	2300 - 2515	N/A	1.820 - 1.880	
AWMM-300-4NN	2750 - 3000	N/A	1.912 - 1.996	

ALL PADS ARE FINISHED ON BOTH SIDES



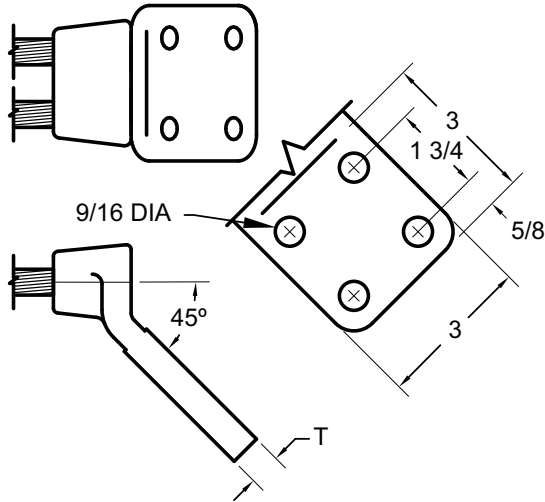
## TYPE AWMM-45

45° WELD TERMINAL  
(2) CABLES TO  
2-HOLE NEMA FLAT



HOMAC CATALOG NUMBER	CABLE SIZE		CABLE DIAMETER MIN.-MAX.	T
	AAC	ACSR		
AWMM-1/0-2N45	1/0	1/0	.368 - .393	3/8
AWMM-2/0-2N45	2/0	2/0	.414 - .460	
AWMM-3/0-2N45	3/0	3/0	.464 - .502	
AWMM-4/0-2N45	4/0	4/0	.522 - .566	
AWMM-26-2N45	250	266.8 (18/1)	.567 - .609	
AWMM-30-2N45	300	266.8 (26/7)	.629 - .660	1/2
AWMM-35-2N45	336.4 - 350	300 - 336.4 (18/1)	.666 - .700	
AWMM-40-2N45	397.5 - 400	336.4 (26/7) - 397.5 (18/1)	.721 - .743	
AWMM-47-2N45	450 - 477	397.5 (24/7) & (30/7)	.770 - .806	
AWMM-55-2N45	500 - 550	397.5 (30/7) - 477 (26/7)	.806 - .858	
AWMM-60-2N45	556.5 - 600	477 (26/7) - 556 (24/7)	.856 - .915	5/8
AWMM-70-2N45	636 - 700	556.5 (26/7) - 605 (26/7)	.918 - .974	3/4
AWMM-79-2N45	750 - 795	636 (24/7) - 666.6 (26/7)	.977 - 1.030	7/8
AWMM-87-2N45	874.5	715.5	1.036 - 1.081	1
AWMM-95-2N45	900 - 954	795 (24/7) & (30/19)	1.092 - 1.146	
AWMM-103-2N45	1000 - 1033.5	900 (54/7) - 954 (54/7)	1.152 - 1.196	
AWMM-119-2N45	1100 - 1192.5	1033.5 - 1113 (45/7)	1.203 - 1.259	

ALL PADS ARE FINISHED ON BOTH SIDES



**TYPE AWMM-45**

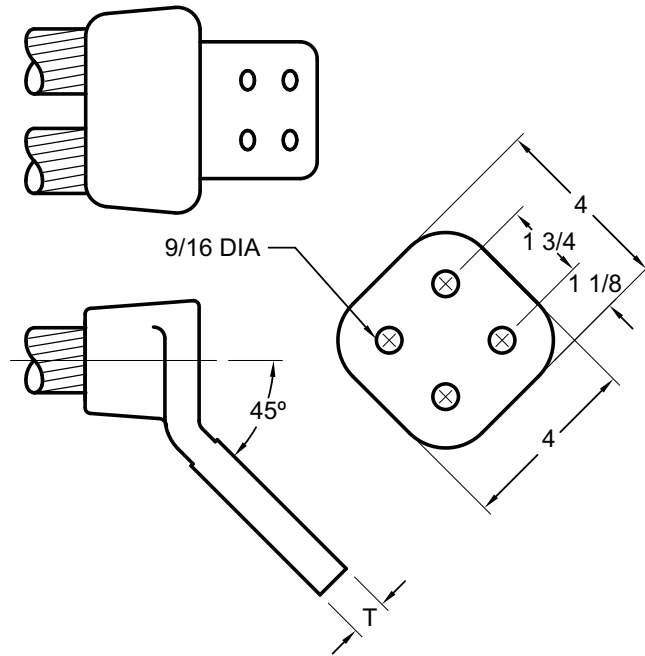
45° WELD TERMINAL  
(2) CABLES TO  
3" 4-HOLE NEMA FLAT

HOMAC CATALOG NUMBER	CABLE SIZE		CABLE DIAMETER MIN.-MAX.	T
	AAC	ACSR		
AWMM-1/0-4N45	1/0	1/0	.368 - .393	1/2
AWMM-2/0-4N45	2/0	2/0	.414 - .460	
AWMM-3/0-4N45	3/0	3/0	.464 - .502	
AWMM-4/0-4N45	4/0	4/0	.522 - .566	
AWMM-26-4N45	250	266.8 (18/1)	.567 - .609	
AWMM-30-4N45	300	266.8 (26/7)	.629 - .660	
AWMM-35-4N45	336.4 - 350	300 - 336.4 (18/1)	.666 - .700	
AWMM-40-4N45	397.5 - 400	336.4 (26/7) - 397.5 (18/1)	.721 - .743	
AWMM-47-4N45	450 - 477	397.5 (24/7) & (30/7)	.770 - .806	
AWMM-55-4N45	500 - 550	397.5 (30/7) - 477 (26/7)	.806 - .858	
AWMM-60-4N45	556.5 - 600	477 (26/7) - 556 (24/7)	.856 - .915	5/8
AWMM-70-4N45	636 - 700	556.5 (26/7) - 605 (26/7)	.918 - .974	
AWMM-79-4N45	750 - 795	636 (24/7) - 666.6 (26/7)	.977 - 1.030	
AWMM-87-4N45	874.5	715.5	1.036 - 1.081	
AWMM-95-4N45	900 - 954	795 (24/7) & (30/19)	1.092 - 1.146	
AWMM-103-4N45	1000 - 1033.5	900 (54/7) - 954 (54/7)	1.152 - 1.196	
AWMM-119-4N45	1100 - 1192.5	1033 - 1113 (45/7)	1.203 - 1.259	
AWMM-130-4N45	1200 - 1300	1113 (45/7) - 1192.5 (54/19)	1.259 - 1.334	
AWMM-143-4N45	1351.5 - 1431	1272 - 1351 (45/7)	1.340 - 1.398	13/16
AWMM-150-4N45	1431 - 1500	1272 (54/19) - 1351.5 (45/7)	1.364 - 1.412	
AWMM-160-4N45	1510.5 - 1600	1351.5 (54/19) - 1510.5 (45/7)	1.415 - 1.478	
AWMM-180-4N45	1700 - 1800	1510.5 (54/19) - 1590	1.492 - 1.548	
AWMM-200-4N45	1900 - 2000	1780 (54/19)	1.571 - 1.630	
AWMM-225-4N45	2250	2032 - 2035	1.667 - 1.735	
AWMM-230-4N45	2300	2156 - 2312	1.751 - 1.802	1
AWMM-251-4N45	2300 - 1515	N/A	1.820 - 1.880	
AWMM-300-4N45	2750 - 3000	N/A	1.912 - 1.996	

ALL PADS ARE FINISHED ON BOTH SIDES

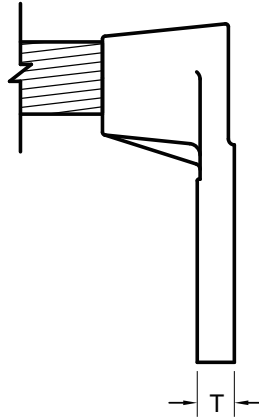
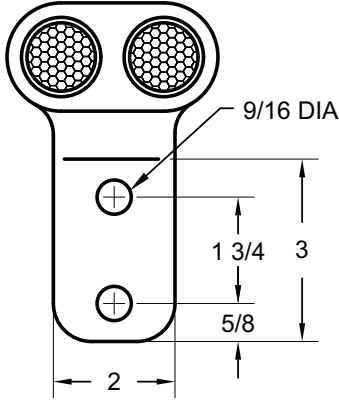
## TYPE AWMM-45

45° WELD TERMINAL  
(2) CABLES TO  
4" 4-HOLE NEMA FLAT



HOMAC CATALOG NUMBER	CABLE SIZE		CABLE DIAMETER MIN.-MAX.	T
	AAC	ACSR		
AWMM-55-4NN45	500 - 550	397.5 (30/7) - 477 (26/7)	.806 - .858	5/8
AWMM-60-4NN45	556.5 - 600	477 (26/7) - 556 (24/7)	.856 - .915	
AWMM-70-4NN45	636 - 700	556.5 (26/7) - 605 (26/7)	.918 - .974	
AWMM-79-4NN45	750 - 795	636 (24/7) - 666.6 (26/7)	.977 - 1.030	
AWMM-87-4NN45	874.5	715.5	1.036 - 1.081	
AWMM-95-4NN45	900 - 954	795 (24/7) & (30/19)	1.092 - 1.146	
AWMM-103-4NN45	1000 - 1033.5	900 (54/7) - 954 (54/7)	1.152 - 1.196	
AWMM-119-4NN45	1100 - 1192.5	1033.5 - 1113 (45/7)	1.203 - 1.259	
AWMM-130-4NN45	1200 - 1300	1113 (45/7) - 1192.5 (54/19)	1.259 - 1.334	13/16
AWMM-143-4NN45	1351.5 - 1431	1272 - 1351.5 (45/7)	1.340 - 1.398	
AWMM-150-4NN45	1431 - 1500	1272 (54/19) - 1351.5 (45/7)	1.415 - 1.478	
AWMM-160-4NN45	1510.5 - 1600	1351.5 (54/19) - 1510.5 (45/7)	1.415 - 1.478	
AWMM-180-4NN45	1700 - 1800	1510.5 (54/19) - 1590	1.492 - 1.548	
AMWM-200-4NN45	1900 - 2000	1780	1.571 - 1.630	
AWMM-225-4NN45	2250	2167 (72/7)	1.667 - 1.735	
AWMM-230-4NN45	2300	2156 (84/19) - 2312	1.751 - 1.802	
AWMM-251-4NN45	2500 - 2515	N/A	1.820 - 1.880	
AWMM-300-4NN45	2750 - 3000	N/A	1.912 - 1.996	

ALL PADS ARE FINISHED ON BOTH SIDES



**TYPE AWMM-90**

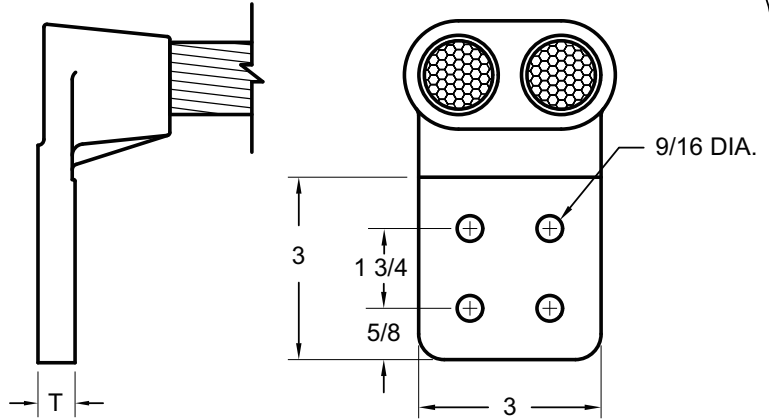
90° WELD TERMINAL  
(2) CABLES TO  
2-HOLE NEMA FLAT

HOMAC CATALOG NUMBER	CABLE SIZE		CABLE DIAMETER MIN.-MAX.	T
	AAC	ACSR		
AWMM-1/0-2N90	1/0	1/0	.368 - .393	7/16
AWMM-2/0-2N90	2/0	2/0	.414 - .460	
AWMM-3/0-2N90	3/0	3/0	.464 - .502	
AWMM-4/0-2N90	4/0	4/0	.522 - .566	
AWMM-26-2N90	250	266.8 (18/1)	.567 - .609	
AWMM-30-2N90	300	266.8 (26/7)	.629 - .660	
AWMM-35-2N90	336.5 - 350	300 - 336.4 (18/1)	.666 - .700	
AWMM-40-2N90	397 - 400	336.4 (26/7) - 397.5 (18/1)	.721 - .743	
AWMM-47-2N90	450 - 477	397.5 (24/7) & (30/7)	.770 - .806	
AWMM-55-2N90	500 - 550	397.5 (30/7) - 477 (26/7)	.806 - .858	
AWMM-60-2N90	556.5 - 600	477 (26/7) - 556 (24/7)	.856 - .915	
AWMM-70-2N90	636 - 700	556.5 (26/7) - 605 (26/7)	.918 - .974	
AWMM-79-2N90	750 - 795	636 (24/7) & (26/7)	.977 - 1.030	
AWMM-87-2N90	874.5	715.5	1.036 - 1.081	
AWMM-95-2N90	900 - 954	795 (24/7) & (30/19)	1.092 - 1.146	
AWMM-103-2N90	1000 - 1033.5	900 (54/7) - 954 (54/7)	1.152 - 1.196	
AWMM-119-2N90	1100 - 1192.5	1033.5 - 1113 (45/7)	1.203 - 1.259	

ALL PADS ARE FINISHED ON BOTH SIDES

## TYPE AWMM-90

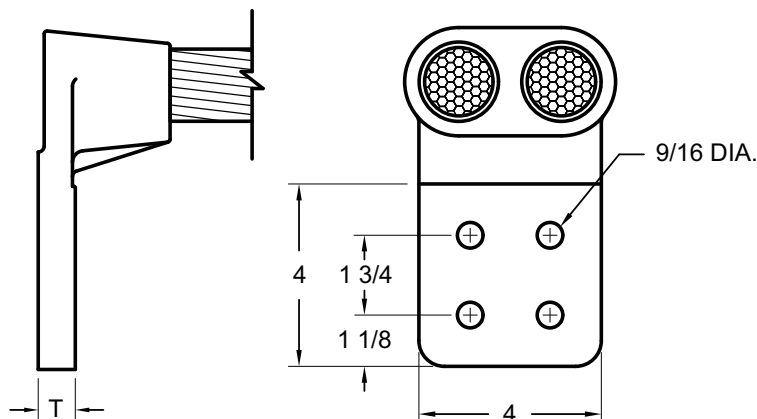
90° WELD TERMINAL  
(2) CABLES TO  
3" 4-HOLE NEMA FLAT



HOMAC CATALOG NUMBER	CABLE SIZE		CABLE DIAMETER MIN-MAX	T
	AAC	ACSR		
AWMM-1/0-4N90	1/0	1/0	.368 - .393	1/2
AWMM-2/0-4N90	2/0	2/0	.414 - .460	
AWMM-3/0-4N90	3/0	3/0	.464 - .502	
AWMM-4/0-4N90	4/0	4/0	.522 - .566	
AWMM-26-4N90	250	266.8 (18/1)	.567 - .609	
AWMM-30-4N90	300	266.8 (26/7)	.629 - .660	
AWMM-35-4N90	336	300 - 336.4 (18/1)	.666 - .700	
AWMM-40-4N90	397.5 - 400	336.4 (26/7) - 397.5 (18/1)	.721 - .743	
AWMM-47-4N90	450 - 477	397.5 (24/7) & (30/7)	.770 - .806	
AWMM-55-4N90	500 - 550	397.5 (30/7) - 477 (26/7)	.806 - .858	5/8
AWMM-60-4N90	556.5 - 600	477 (26/7) - 556 (24/7)	.856 - .915	
AWMM-70-4N90	636 - 700	556.5 (26/7) - 605 (26/7)	.918 - .974	
AWMM-79-4N90	750 - 795	636 (24/7) - 666.6 (26/7)	.977 - 1.030	
AWMM-87-4N90	874.5	715.5	1.036 - 1.081	
AWMM-95-4N90	900 - 954	795 (24/7) & (30/19)	1.092 - 1.146	
AWMM-103-4N90	1000 - 1033.5	900 (54/7) - 954 (54/7)	1.152 - 1.196	
AWMM-119-4N90	1100 - 1192.5	1033 - 1113 (45/7)	1.203 - 1.259	
AWMM-130-4N90	1200 - 1300	1113 (45/7) - 1192.5 (54/19)	1.259 - 1.334	
AWMM-143-4N90	1351.5 - 1431	1272 - 1351 (45/7)	1.340 - 1.398	11/16
AWMM-150-4N90	1431 - 1500	1272 (54/19) - 1351.5 (45/7)	1.364 - 1.412	
AWMM-160-4N90	1500.5 - 1600	1351.5 (54/19) - 1510.5 (45/7)	1.415 - 1.478	
AWMM-180-4N90	1700 - 1800	1510.5 (54/19) - 1590	1.492 - 1.548	
AWMM-200-4N90	1900 - 2000	1780	1.571 - 1.630	3/4
AWMM-225-4N90	2250	2167 (72/7)	1.667 - 1.735	
AWMM-230-4N90	2300	2156 (84/19 - 2312	1.751 - 1.802	
AWMM-251-4N90	2500 - 2515	N/A	1.820 - 1.880	
AWMM-300-4N90	2750 - 3000	N/A	1.912 - 1.996	

ALL PADS ARE FINISHED ON BOTH SIDES

## TYPE AWMM-90



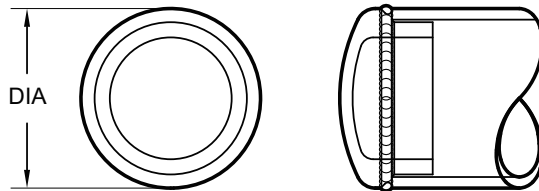
90° WELD TERMINAL  
(2) CABLES TO  
4" 4-HOLE NEMA FLAT

HOMAC CATALOG NUMBER	CABLE SIZE		CABLE DIAMETER MIN.-MAX.	T
	AAC	ACSR		
AWMM-55-4NN90	500 - 550	397.5 (30/7) - 477 (26/7)	.806 - .858	5/8
AWMM-60-4NN90	556.5 - 600	477 (26/7) - 556 (24/7)	.856 - .915	
AWMM-70-4NN90	636 - 700	556.5 (26/7) - 605 (26/7)	.918 - .974	
AWMM-79-4NN90	750 - 795	636 (24/7) - 666.6 (26/7)	.977 - 1.030	
AWMM-87-4NN90	874.5	715.5	1.036 - 1.081	
AWMM-95-4NN90	900 - 954	795 (24/7) & (30/19)	1.092 - 1.146	
AWMM-103-4NN90	1000 - 1033.5	900 (54/7) - 954 (54/7)	1.152 - 1.196	
AWMM-119-4NN90	1100 - 1192.5	1033.5 - 1113 (45/7)	1.203 - 1.259	
AWMM-130-4NN90	1200 - 1300	1113 (45/7) - 1192.5 (54/19)	1.259 - 1.334	
AWMM-143-4NN90	1351.5 - 1431	1272 - 1351 (45/7)	1.340 - 1.398	
AWMM-150-4NN90	1431 - 1500	1272 (54/19) - 1351.5 (45/7)	1.364 - 1.412	
AWMM-160-4NN90	1510.5 - 1600	1351.5 (54/19) - 1510.5 (45/7)	1.415 - 1.478	
AWMM-180-4NN90	1700 - 1800	1510.5 (54/19) - 1590	1.492 - 1.548	
AWMM-200-4NN90	1900 - 2000	1780	1.571 - 1.630	3/4
AWMM-225-4NN90	2250	2167 (72/7)	1.667 - 1.735	
AWMM-230-4NN90	2300	2156 (84/19) - 2312	1.751 - 1.802	
AWMM-251-4NN90	2500 - 2515	N/A	1.820 - 1.880	
AWMM-300-4NN90	2750 - 3000	N/A	1.912 - 1.996	

ALL PADS ARE FINISHED ON BOTH SIDES

## TYPE AWP

INTERNAL CORONA BELL  
WELD FIT

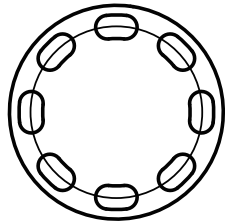
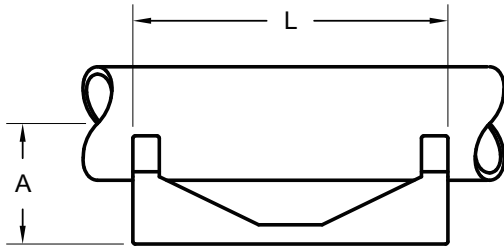


HOMAC CATALOG NUMBER	SPS	DIA.
AWNP-E	3/4	1 1/16
AWNP-F	1	1 5/16
AWNP-G	1 1/4	1 11/16
AWNP-H	1 1/2	1 15/16
AWNP-J	2	2 3/8
AWNP-K	2 1/2	2 7/8
AWNP-L	3	3 1/2
AWNP-M	3 1/2	4
AWNP-P	4	4 1/2
AWNP-R	5	5 5/8
AWNP-S	6	6 5/8

FOR SCHEDULE 80, PIPE ADD "H" TO CATALOG NUMBER E.G. "AWNPH-K".

## TYPE AWBP

WELD BUS SUPPORT  
PIPE TO INSULATOR



SLOTS: 3" BC 9/16 X 3/4  
5" BC 11/16 X 7/8

HOMAC CATALOG NUMBER	SPS	A	L
<b>3" BOLT CIRCLE</b>			
AWBP-E-3	3/4	2	5 3/4
AWBP-F-3	1		7
AWBP-G-3	1 1/4	2 1/4	6 1/2
AWBP-H-3	1 1/2	2 1/2	
AWBP-J-3	2	2 3/4	
AWBP-K-3	2 1/2	3 1/8	6
AWBP-L-3	3	3 5/8	6 1/2
AWBP-M-3	3 1/2	4	6
AWBP-P-3	4	4 1/2	
AWBP-R-3	5	5	6 1/2
AWBP-S-3	6	5 1/2	7
<b>5" BOLT CIRCLE</b>			
AWBP-E-5	3/4	2	8
AWBP-F-5	1	2 1/4	
AWBP-G-5	1 1/4	2 3/8	
AWBP-H-5	1 1/2	2 1/2	8 1/2
AWBP-J-5	2	2 3/4	
AWBP-K-5	2 1/2	3 1/8	8 1/4
AWBP-L-5	3	3 5/8	9
AWBP-M-5	3 1/2	4	8
AWBP-P-5	4	4 1/2	8 1/2
AWBP-R-5	5	5	
AWBP-S-5	6	5 1/2	

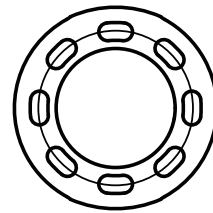
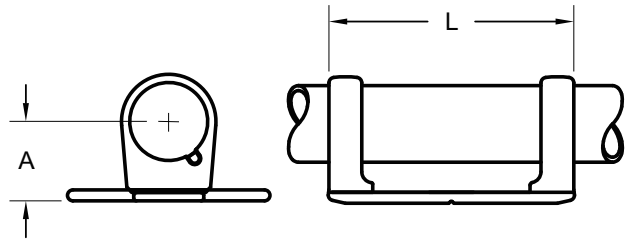
GALVANIZED HARDWARE FOR MOUNTING TO INSULATOR IS SUPPLIED



## TYPE AWBS

DOUBLE RING BUS SUPPORT  
 WELD OR SLIDE  
 PIPE TO INSULATOR

HOMAC CATALOG NUMBER	SPS	A	L
<b>3" BOLT CIRCLE</b>			
AWBS-E-3	3/4	2	7
AWBS-F-3	1		
AWBS-G-3	1 1/4	2 1/4	
AWBS-H-3	1 1/2	2 1/2	
AWBS-J-3	2	2 3/4	
AWBS-K-3	2 1/2	3 1/8	
AWBS-L-3	3	3 5/8	
AWBS-M-3	3 1/2	4	
AWBS-P-3	4	4 1/2	
AWBS-R-3	5	5	
AWBS-S-3	6	5 1/2	
<b>5" BOLT CIRCLE</b>			
AWBS-E-5	3/4	2 1/4	9 1/4
AWBS-F-5	1		
AWBS-G-5	1 1/4	2 3/8	
AWBS-H-5	1 1/2	2 1/2	
AWBS-J-5	2	2 3/4	
AWBS-K-5	2 1/2	3 1/8	
AWBS-L-5	3	3 5/8	
AWBS-M-5	3 1/2	4	
AWBS-P-5	4	4 1/2	
AWBS-R-5	5	5	
AWBS-S-5	6	5 1/2	

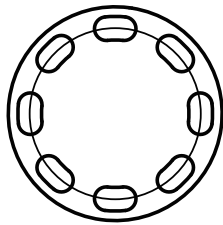
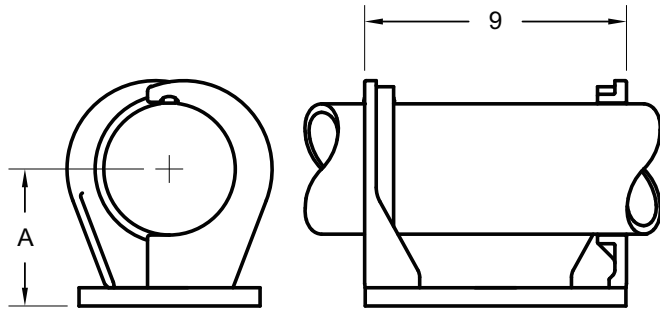


SLOTS: 3" BC 9/16 X 3/4  
 5" BC 11/16 X 7/8

STAINLESS STEEL ANTI-CHATTER SPRINGS ARE SUPPLIED  
 GALVANIZED HARDWARE FOR MOUNTING TO INSULATOR IS SUPPLIED

## TYPE AWBQ

HOOK-ON BUS SUPPORT  
 WELD OR SLIDE  
 PIPE TO INSULATOR



SLOTS: 3" BC 9/16 X 3/4  
 5" BC 11/16 X 7/8

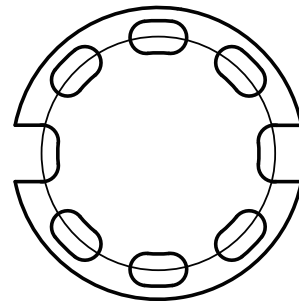
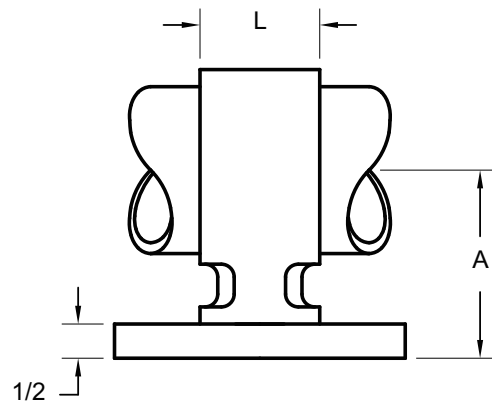
HOMAC CATALOG NUMBER	SPS	A
<b>3" BOLT CIRCLE</b>		
AWBQ-E-3	3/4	2
AWBQ-F-3	1	
AWBQ-G-3	1 1/4	2 1/4
AWBQ-H-3	1 1/2	2 1/2
AWBQ-J-3	2	2 3/4
AWBQ-K-3	2 1/2	3 1/8
AWBQ-L-3	3	3 5/8
AWBQ-M-3	3 1/2	4
AWBQ-P-3	4	4 1/2
AWBQ-R-3	5	5
AWBQ-S-3	6	5 1/2
<b>5" BOLT CIRCLE</b>		
AWBQ-E-5	3/4	2 1/4
AWBQ-F-5	1	
AWBQ-G-5	1 1/4	2 3/8
AWBQ-H-5	1 1/2	2 1/2
AWBQ-J-5	2	2 3/4
AWBQ-K-5	2 1/2	3 1/8
AWBQ-L-5	3	3 5/8
AWBQ-M-5	3 1/2	4
AWBQ-P-5	4	4 1/2
AWBQ-R-5	5	5
AWBQ-S-5	6	5 1/2

STAINLESS STEEL ANTI-CHATTER SPRINGS ARE SUPPLIED  
 GALVANIZED HARDWARE FOR MOUNTING TO INSULATOR IS SUPPLIED

## TYPE WAXB

WELD OR SLIDE BUS SUPPORT  
PIPE TO INSULATOR

HOMAC CATALOG NUMBER	SPS	A	L
<b>3" BOLT CIRCLE</b>			
WAXB-E-3	3/4	2	1
WAXB-F-3	1		
WAXB-G-3	1 1/4	2 1/4	1 1/4
WAXB-H-3	1 1/2	2 1/2	
WAXB-J-3	2	2 3/4	1 3/4
WAXB-K-3	2 1/2	3 1/8	
WAXB-L-3	3	3 5/8	
WAXB-M-3	3 1/2	4	2
WAXB-P-3	4	4 1/2	
WAXB-R-3	5	5	
WAXB-S-3	6	5 1/2	
<b>5" BOLT CIRCLE</b>			
WAXB-E-5	3/4	2 1/4	1
WAXB-F-5	1		
WAXB-G-5	1 1/4	2 3/8	1 1/4
WAXB-H-5	1 1/2	2 1/2	
WAXB-J-5	2	2	1 3/4
WAXB-K-5	2 1/2	3 1/8	
WAXB-L-5	3	3 5/8	
WAXB-M-5	3 1/2	4	2
WAXB-P-5	4	4 1/2	
WAXB-R-5	5	5	
WAXB-S-5	6	5 1/2	

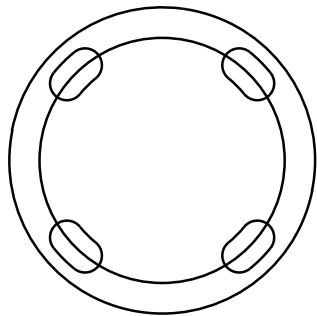
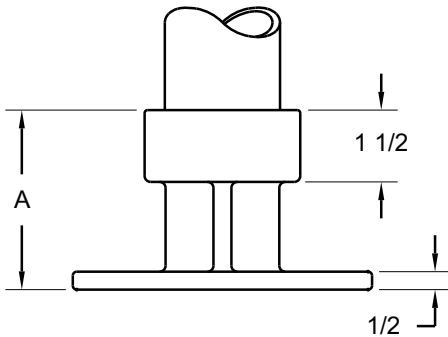


SLOTS: 3" BC 9/16 X 3/4  
5" BC 11/16 X 7/8

STAINLESS STEEL ANTI-CHATTER SPRING IS SUPPLIED  
GALVANIZED HARDWARE FOR MOUNTING TO INSULATOR IS SUPPLIED

## TYPE AWPX

WELD VERTICAL BUS SUPPORT  
 PIPE TO INSULATOR  
 VERTICAL TAKE-OFF



SLOTS: 3" BC 9/16 X 3/4  
 5" BC 11/16 X 7/8

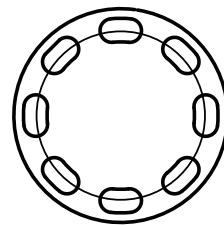
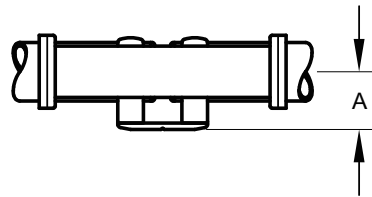
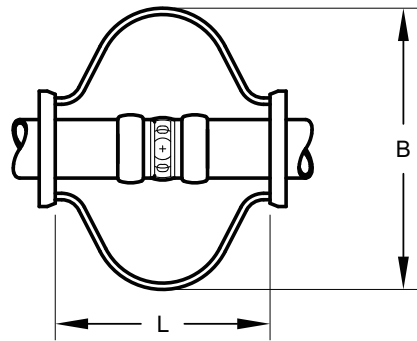
HOMAC CATALOG NUMBER	SPS	A
<b>3" BOLT CIRCLE</b>		
AWPX-E-3	3/4	3 1/4
AWPX-F-3	1	
AWPX-G-3	1 1/4	
AWPX-H-3	1 1/2	
AWPX-J-3	2	3 11/16
AWPX-K-3	2 1/2	3 3/4
AWPX-L-3	3	3 13/16
AWPX-M-3	3 1/2	3 15/16
AWPX-P-3	4	4
AWPX-R-3	5	4 1/8
AWPX-S-3	6	4 1/4
<b>5" BOLT CIRCLE</b>		
AWPX-E-5	3/4	3 1/4
AWPX-F-5	1	
AWPX-G-5	1 1/4	
AWPX-H-5	1 1/2	
AWPX-J-5	2	3 7/16
AWPX-K-5	2 1/2	3 1/2
AWPX-L-5	3	3 9/16
AWPX-M-5	3 1/2	3 11/16
AWPX-P-5	4	3 3/4
AWPX-R-5	5	3 13/16
AWPX-S-5	6	4

GALVANIZED HARDWARE FOR MOUNTING TO INSULATOR IS SUPPLIED

## TYPE AWECC

WELD EXPANSION  
 BUS SUPPORT  
 PIPE TO INSULATOR

HOMAC CATALOG NUMBER	SPS	A	L	B	AMPS
<b>3" BOLT CIRCLE</b>					
AWECC-H-3	1 1/2	2 1/2	12	14	930
AWECC-J-3	2	2 3/4		16	1155
AWECC-K-3	2 1/2	3 1/8		17	1550
AWECC-L-3	3	3 5/8		17	1895
AWECC-M-3	3 1/2	4		22	2170
AWECC-P-3	4	4 1/2		24	2000
AWECC-R-3	5	5			
AWECC-S-3	6	5 1/2			
<b>5" BOLT CIRCLE</b>					
AWECC-H-5	1 1/2	2 1/2	16 1/4	18	930
AWECC-J-5	2	2 3/4		19	1155
AWECC-K-5	2 1/2	3 1/8		20	1550
AWECC-L-5	3	3 5/8		21	1895
AWECC-M-5	3 1/2	4		22	2170
AWECC-P-5	4	4 1/2		24	2000
AWECC-R-5	5	5			
AWECC-S-5	6	5 1/2			



SLOTS: 3" BC 9/16 X 3/4  
 5" BC 11/16 X 7/8

END CAPS ARE SUPPLIED  
 GALVANIZED HARDWARE FOR MOUNTING TO INSULATOR IS SUPPLIED  
 OTHER SIZES AVAILABLE, CONSULT THE FACTORY  
 USE CHART GA-796 FOR INSTALLATION SEE GENERAL REFERENCE PAGE 25  
 FOR SCHEDULE 80 PIPE ADD "H" TO CATALOG NUMBER: E.G. "AWECC-H-5"  
 STAINLESS STEEL ANTI-CHATTER SPRINGS ARE SUPPLIED

**TYPE AWGS**  
**GROUND STUDS**

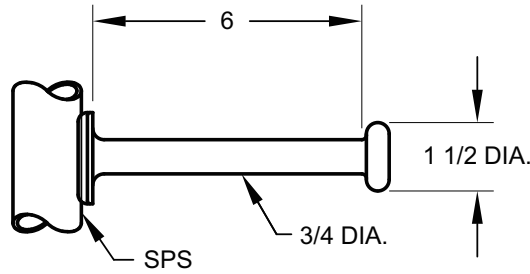


FIGURE 1

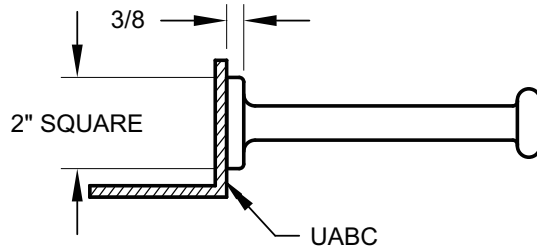


FIGURE 2

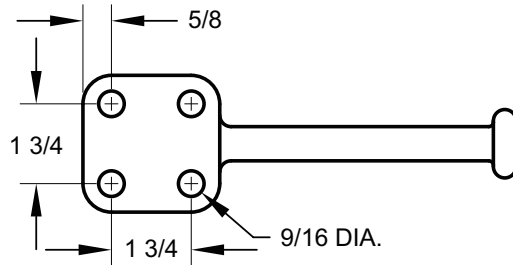


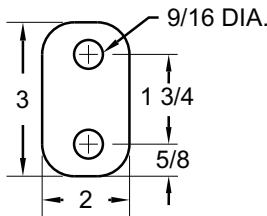
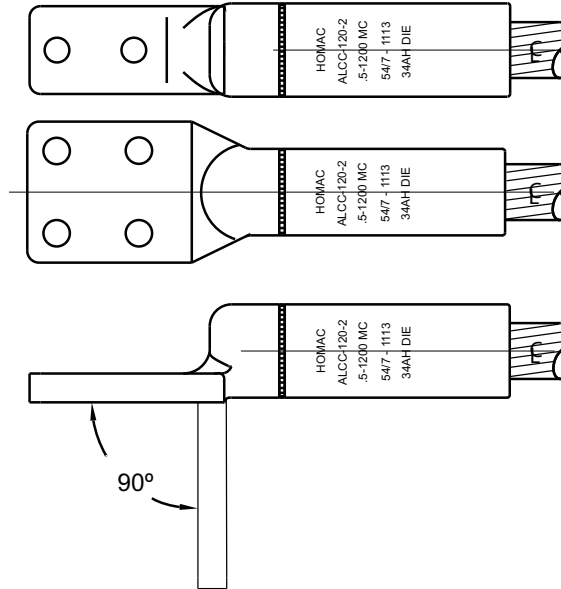
FIGURE 3

HOMAC CATALOG NUMBER	SPS	TYPE	FIGURE
AWGS-E	3/4	N/A	1
AWGS-FK	1 - 2 1/2		
AWGS-LS	3 - 6		
AWGS-FLAT	N/A	UABC / IWCB	2
AWGS-4N	N/A	4 - HOLE NEMA 13/16 THICK	3

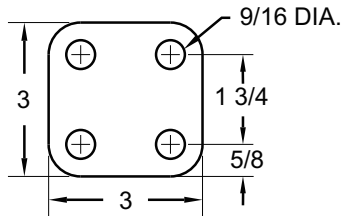
ALL PADS ARE FINISHED ON BOTH SIDES  
 FOR OTHER CONFIGURATIONS, CONSULT THE FACTORY

## TYPE ALCC

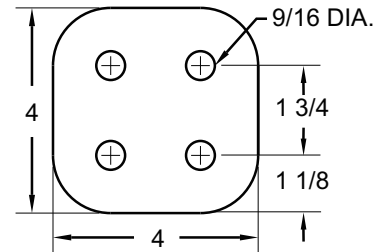
### COMPRESSION TERMINALS CABLE TO FLAT



2-HOLE NEMA FLAT  
"2N"

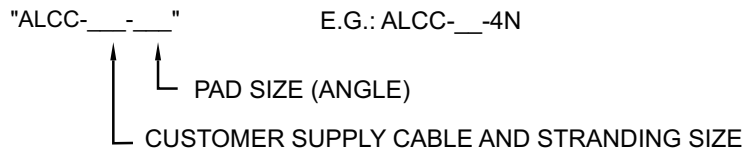


3" 4-HOLE NEMA FLAT  
"4N"



4" 4-HOLE NEMA FLAT  
"4NN"

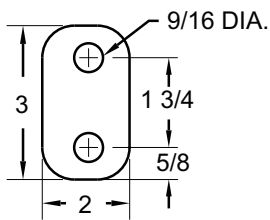
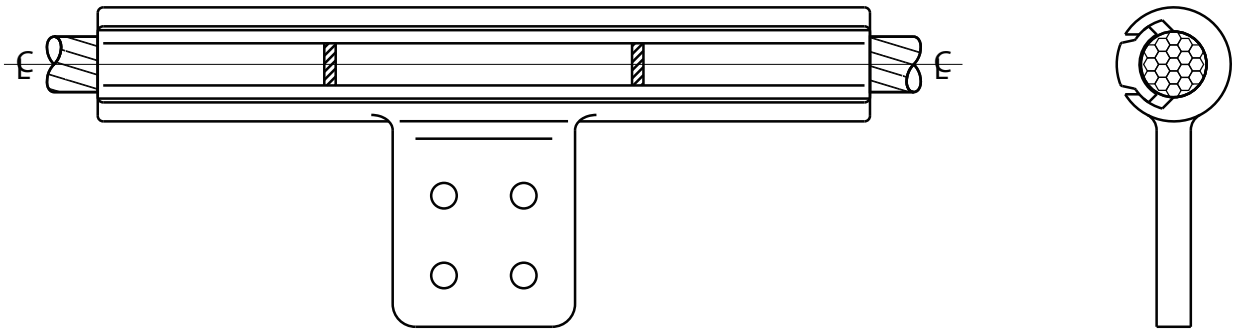
CATALOG NUMBERS WILL BE DESIGNATED FROM THE FOLLOWING INFORMATION:



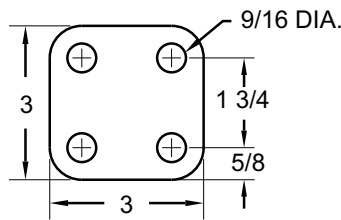
ALL PADS ARE FINISHED ON BOTH SIDES  
 CABLE RANGES AND CRIMPING DIES MARKED ON CONNECTOR  
 CABLE POCKET COATED WITH OXIDE INHIBITOR  
 FOR OTHER CONFIGURATIONS, CONSULT THE FACTORY

## TYPE AYTF

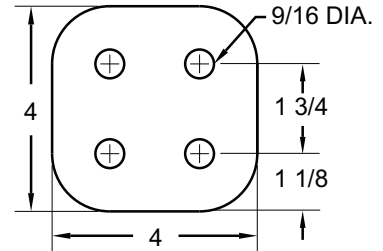
COMPRESSION TEE  
CABLE TO FLAT



2-HOLE NEMA FLAT  
"2N"



3" 4-HOLE NEMA FLAT  
"4N"



4" 4-HOLE NEMA FLAT  
"4NN"

CATALOG NUMBERS WILL BE DESIGNATED FROM THE FOLLOWING INFORMATION:

"AYTF-\_\_-\_\_"

E.G.: AYTF-\_\_-4N

↑  
PAD SIZE

↑ CUSTOMER SUPPLY CABLE AND STRANDING SIZE

ALL PADS ARE FINISHED ON BOTH SIDES  
 CABLE RANGES AND CRIMPING DIES MARKED ON BARREL  
 CABLE POCKET COATED WITH OXIDE INHIBITOR  
 FOR OTHER CONFIGURATIONS, CONSULT THE FACTORY



# BOLTED ALUMINUM



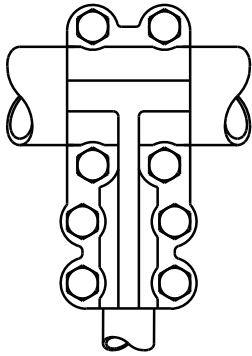
 <sup>®</sup> THE  
**HOMAC**  
COMPANIES



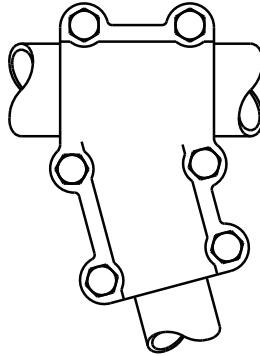


**BOLTED ALUMINUM TEE CONNECTORS**

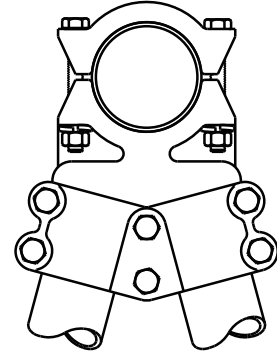
**Pictorial Index**



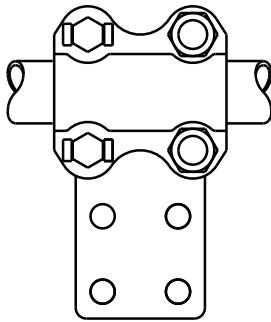
TYPE ABT  
PAGE A-02 - A-03



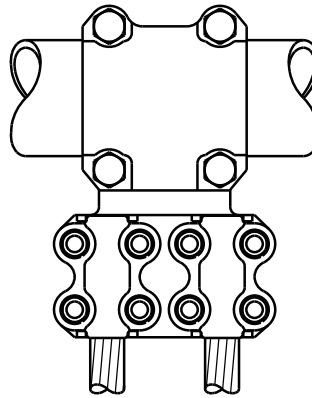
TYPE ABT-15  
PAGE A-04 - A-05



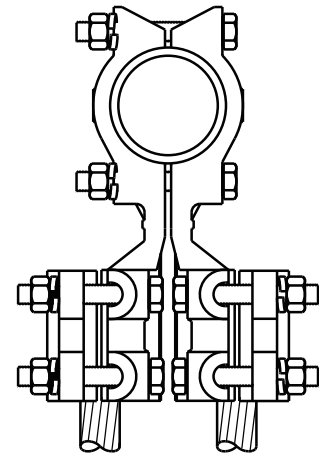
TYPE ABT-15-15  
PAGE A-06 - A-07



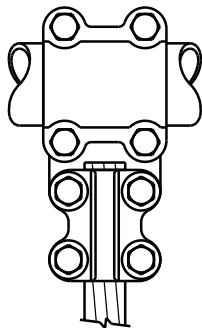
TYPE ABNT  
PAGE A-08 - A-09



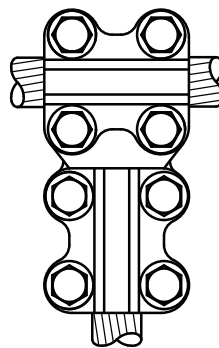
TYPE ABTT  
PAGE A-10



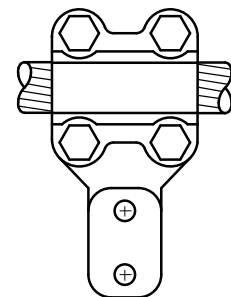
TYPE AB2T  
PAGE A-11



TYPE A6MT  
PAGE A-12 - A-14



TYPE A6MT  
PAGE A-15

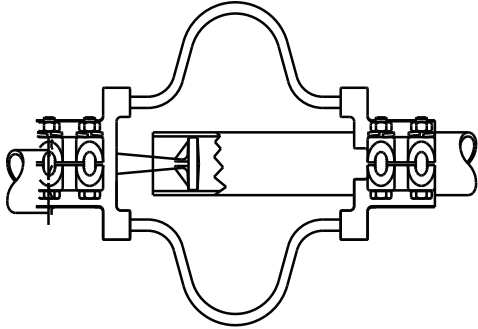


TYPE A7MT  
PAGE A-16

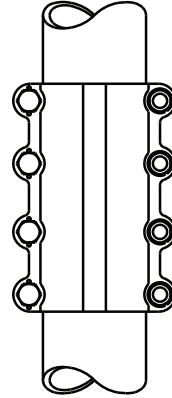
**BOLTED ALUMINUM**

**BOLTED ALUMINUM COUPLERS**

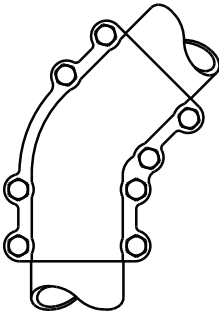
**Pictorial Index**



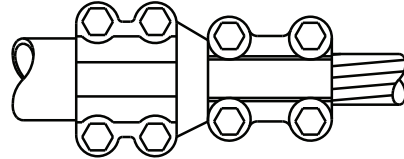
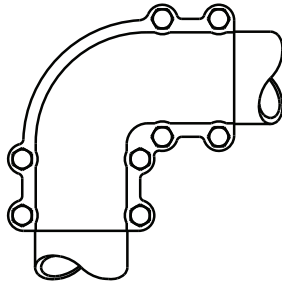
TYPE AFG  
PAGE A-17



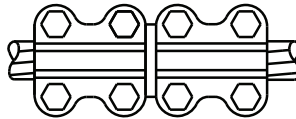
TYPE ABC  
PAGE A-18 - A-19



TYPE ABCE-45 & 90  
PAGE A-20



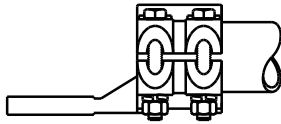
TYPE ABR  
PAGE A-21- A-23



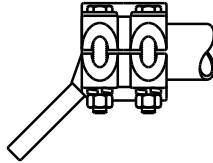
TYPE ABR  
PAGE A-26

**BOLTED ALUMINUM TERMINALS**

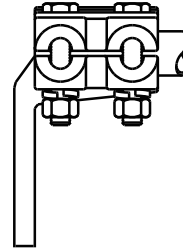
**Pictorial Index**



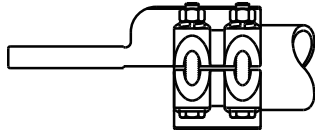
TYPE ABN  
PAGE A-28 - A-29



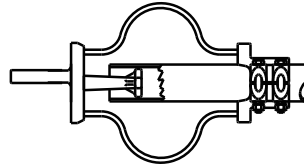
TYPE ABN-45  
PAGE A-30 - A-31



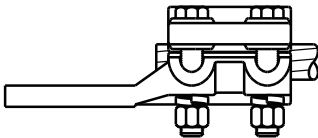
TYPE ABN-90  
PAGE A-32 - A-33



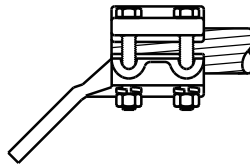
TYPE ABNC  
PAGE A-34 - A-35



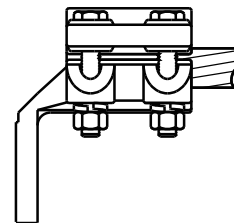
TYPE ABEPC  
PAGE A-36



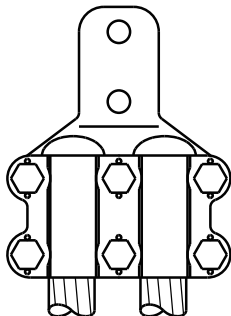
TYPE A7M  
PAGE A-37



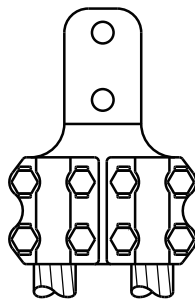
TYPE A7M-45  
PAGE A-38



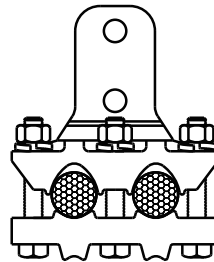
TYPE A7M-90  
PAGE A-39



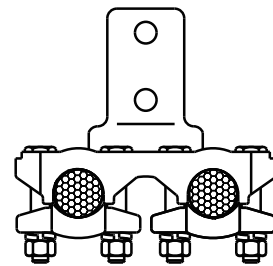
TYPE A7MM1  
PAGE A-40



TYPE A7MM  
PAGE A-41



TYPE A7MM1-90  
PAGE A-42

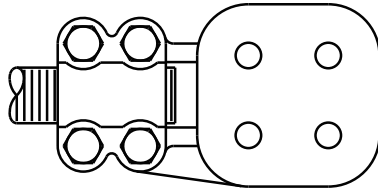


TYPE A7MM-90  
PAGE A-43

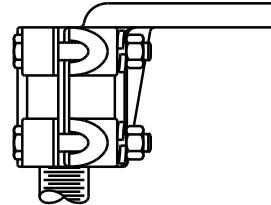
**BOLTED ALUMINUM**

**BOLTED ALUMINUM STUD CONNECTORS**

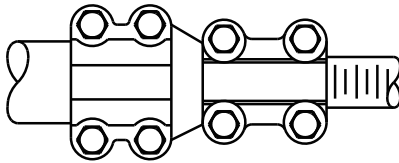
**Pictorial Index**



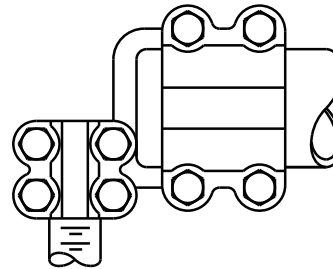
TYPE AVIE  
PAGE A-44



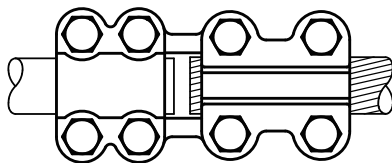
TYPE AVIE-90  
PAGE A-45



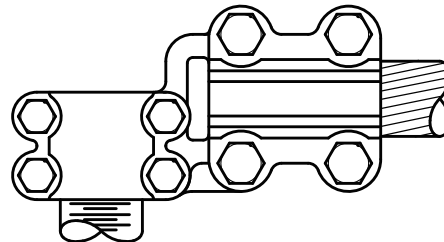
TYPE AVIC  
PAGE A-46



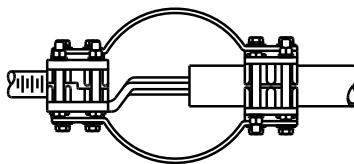
TYPE AVIC-90  
PAGE A-47



TYPE AVID  
PAGE A-48



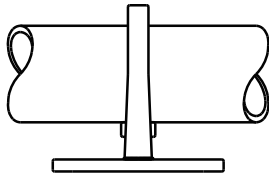
TYPE AVID-90  
PAGE A-49



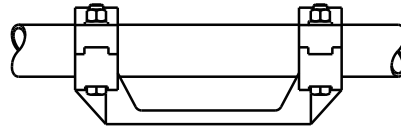
TYPE ASPKG  
PAGE A-54

**BOLTED ALUMINUM SUPPORTS**

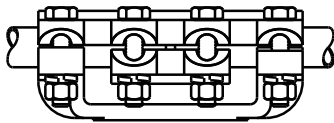
**Pictorial Index**



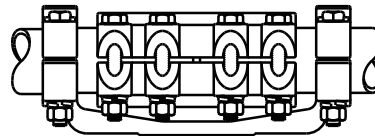
TYPE ATB  
PAGE A-58



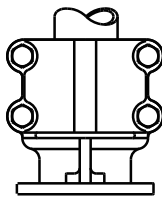
TYPE ASBC  
PAGE A-59



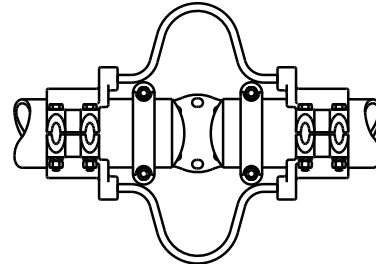
TYPE ASBCC  
PAGE A-60



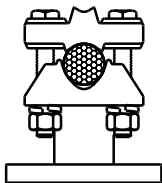
TYPE ASBCE  
PAGE A-61



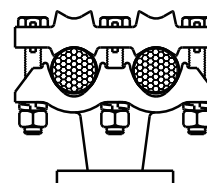
TYPE AVBS  
PAGE A-62



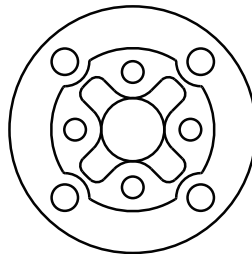
TYPE APPB  
PAGE A-63



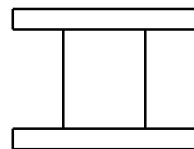
TYPE ASBD  
PAGE A-64



TYPE ASBP  
PAGE A-65



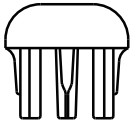
TYPE SPAE & SPAC  
PAGE A-67



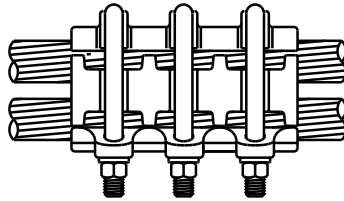
**BOLTED ALUMINUM**

**BOLTED ALUMINUM MISCELLANEOUS**

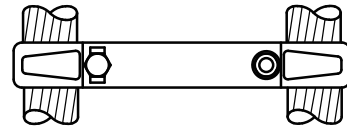
**Pictorial Index**



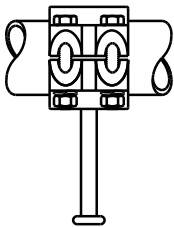
TYPE AKFI  
PAGE A-01



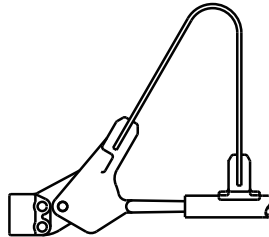
TYPE ABRU  
PAGE A-24



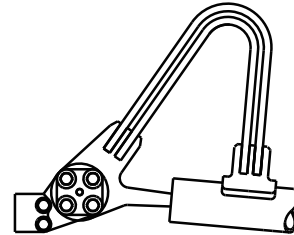
TYPE ACS2  
PAGE A-25



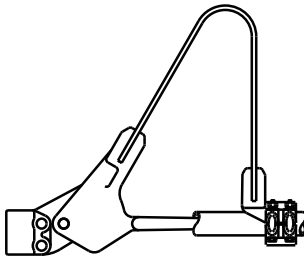
TYPE ABGS  
PAGE A-27



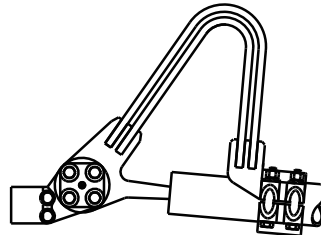
TYPE WVLS12  
PAGE A-50



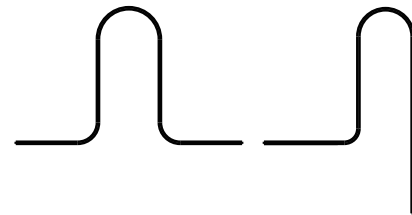
TYPE WVLS20  
PAGE A-51



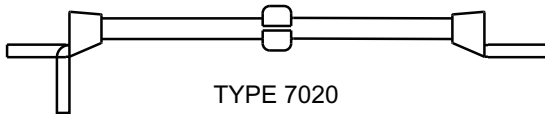
TYPE AVLS12  
PAGE A-52



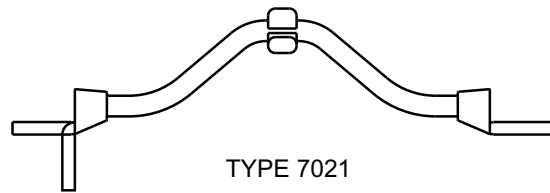
TYPE AVLS20  
PAGE A-53



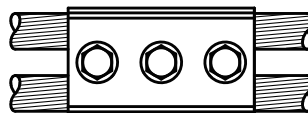
TYPE AVLS  
PAGE A-55



TYPE 7020  
PAGE A-56



TYPE 7021  
PAGE A-57



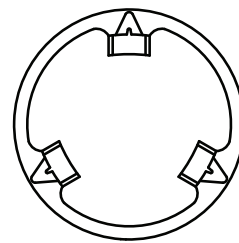
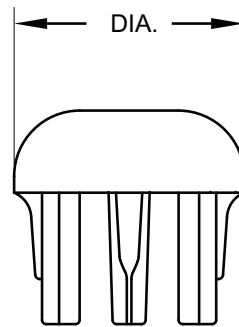
TYPE APP  
PAGE A-66



## TYPE AKFI

CORONA BELL  
DRIVE FIT

HOMAC CATALOG NUMBER	SPS	DIA.
AKFI-E	3/4	1.050
AKFI-F	1	1.315
AKFI-G	1 1/4	1.660
AKFI-H	1 1/2	1.900
AKFI-J	2	2.375
AKFI-K	2 1/2	2.875
AKFI-L	3	3.500
AKFI-M	3 1/2	4.000
AKFI-P	4	4.500
AKFI-R	5	5.563
AKFI-S	6	6.625



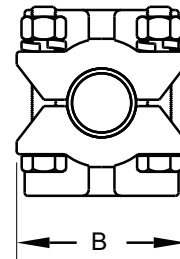
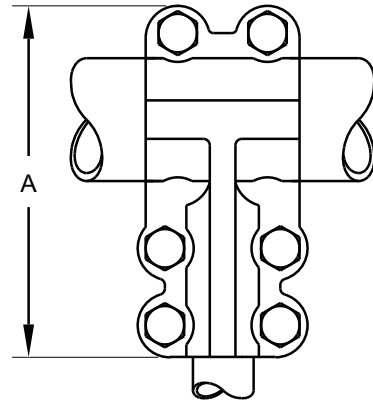
**BOLTED ALUMINUM**

FOR SCHEDULE 80 PIPE ADD "H" TO CATALOG NUMBER: E.G. "AKFIH-J"

## TYPE ABT

### BOLTED TEE CONNECTOR PIPE RUN TO PIPE TAP

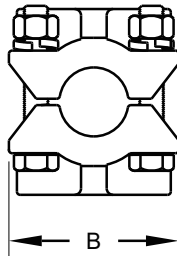
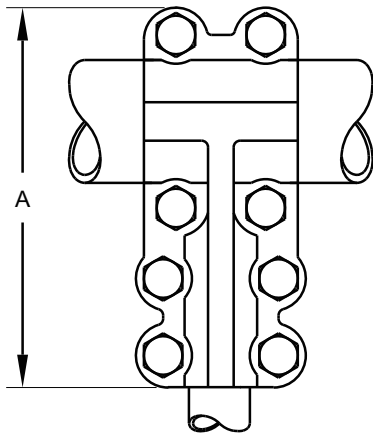
HOMAC CATALOG NUMBER	SPS RUN	SPS TAP	A	B
ABT-E-E	3/4	3/4	6 1/4	3
ABT-F-E	1		5 5/16	
ABT-F-F		1	3 1/2	
ABT-G-E	1 1/4	3/4	6 11/16	3
ABT-G-F		1	6 13/16	3 1/2
ABT-G-G		1 1/4	6 3/4	4 1/8
ABT-H-E	1 1/2	3/4	7 11/16	3
ABT-H-F		1	6 13/16	3 1/2
ABT-H-G		1 1/4	7 3/16	3 7/8
ABT-H-H		1 1/2	7 1/4	4 1/8
ABT-J-E	2	3/4	7 7/16	3
ABT-J-F		1		3 1/2
ABT-J-G		1 1/4	8	3 7/8
ABT-J-H		1 1/2	7 13/16	4 1/8
ABT-J-J		2	8 1/16	5 1/8
ABT-K-E	2 1/2	3/4	8 5/16	3
ABT-K-F		1	8 1/32	3 1/2
ABT-K-G		1 1/4	8 1/8	3 7/8
ABT-K-H		1 1/2	8 5/16	4 1/8
ABT-K-J		2	8 9/16	4 5/8
ABT-K-K		2 1/2	8 5/16	5 1/8
ABT-L-E	3	3/4	9 1/4	3
ABT-L-F		1	8 3/4	3 3/4
ABT-L-G		1 1/4	9 1/32	4
ABT-L-H		1 1/2	8 7/8	3 3/4
ABT-L-J		2	9 1/4	4 1/2
ABT-L-K		2 1/2	9 1/4	5
ABT-L-L		3	10 1/8	5 1/2
ABT-M-E	3 1/2	3/4	9 3/4	3
ABT-M-F		1	9 1/4	3 7/16
ABT-M-G		1 1/4	9 1/2	3 7/8
ABT-M-H		1 1/2	9 3/4	4 1/8



CONNECTORS SUPPLIED WITH CLAMPING HARDWARE IN ACCORDANCE WITH NEMA STANDARD (CC 1)

## TYPE ABT

**BOLTED TEE CONNECTOR  
PIPE RUN TO PIPE TAP**



HOMAC CATALOG NUMBER	SPS RUN	SPS TAP	A	B	
ABT-M-J	3 1/2	2	9 7/8	5 1/4	
ABT-M-K		2 1/2		5 1/8	
ABT-M-L		3	10 1/2	6 1/8	
ABT-M-M		3 1/2	9 3/4	6 7/16	
ABT-P-E	4	3/4	10 1/4	3	
ABT-P-F		1		3 1/2	
ABT-P-G		1 1/4		4 1/4	
ABT-P-H		1 1/2		4 1/8	
ABT-P-J		2	10 1/8	4 1/2	
ABT-P-K		2 1/2	10 1/4	5 1/8	
ABT-P-L		3		5 1/2	
ABT-P-M		3 1/2	10 3/4	6	
ABT-P-P		4	11	6 1/2	
ABT-R-E		5	3/4	11 1/2	3
ABT-R-F			1		3 1/2
ABT-R-G			1 1/4		3 7/8
ABT-R-H	1 1/2		4 1/8		
ABT-R-J	2		11 1/8	4 1/2	
ABT-R-K	2 1/2		11	5	
ABT-R-L	3		11 1/4	5 1/2	
ABT-R-M	3 1/2		12 3/4	6 5/8	
ABT-R-P	4		13	7 1/4	
ABT-R-R	5		13 1/2	7 1/2	
ABT-S-E	6	3/4	12 1/2	3	
ABT-S-F		1		3 1/2	
ABT-S-H		1 1/4		3 7/8	
ABT-S-H		1 1/2		4 1/8	
ABT-S-J		2	12 1/4	4 1/2	
ABT-S-K		2 1/2	12 1/8	5	
ABT-S-L		3	13 1/4	6 1/8	
ABT-S-M		3 1/2	13 7/8	6	
ABT-S-P		4	14 5/8	7 1/2	
ABT-S-R		5	16 1/2	8 1/2	
ABT-S-S		6	16 3/4	12	

CONNECTORS SUPPLIED WITH CLAMPING HARDWARE IN ACCORDANCE WITH NEMA STANDARD (CC 1)

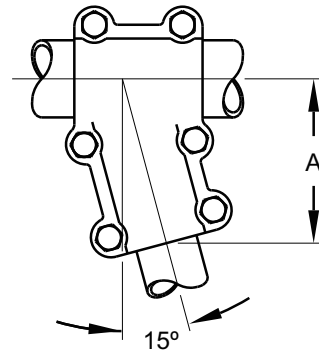
**BOLTED ALUMINUM**

## TYPE ABT-15

BOLTED TEE CONNECTOR  
PIPE RUN TO PIPE TAP AT 15°

**BOLTED ALUMINUM**

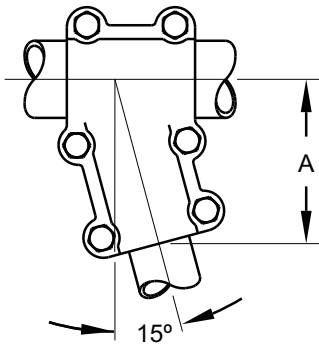
HOMAC CATALOG NUMBER	SPS RUN	SPS TAP	A
ABT-E-E-15	3/4	3/4	5
ABT-F-E-15	1		5 1/4
ABT-F-F-15			1
ABT-G-E-15	1 1/4	3/4	5 1/2
ABT-G-F-15		1	
ABT-G-G-15		1 1/4	
ABT-H-E-15	1 1/2	3/4	5 3/4
ABT-H-F-15		1	
ABT-H-G-15		1 1/4	
ABT-H-H-15		1 1/2	
ABT-J-E-15	2	3/4	6
ABT-J-F-15		1	
ABT-J-G-15		1 1/4	
ABT-J-H-15		1 1/2	
ABT-J-J-15		2	
ABT-K-E-15	2 1/2	3/4	6 1/4
ABT-K-F-15		1	
ABT-K-G-15		1 1/4	
ABT-K-H-15		1 1/2	
ABT-K-J-15		2	
ABT-K-K-15		2 1/2	
ABT-L-E-15	3	3/4	6 1/2
ABT-L-F-15		1	
ABT-L-G-15		1 1/4	
ABT-L-H-15		1 1/2	
ABT-L-J-15		2	
ABT-L-K-15		2 1/2	7 1/4
ABT-L-L-15		3	



CONNECTORS SUPPLIED WITH CLAMPING HARDWARE IN ACCORDANCE WITH NEMA STANDARD (CC 1)  
OTHER SIZES AVAILABLE, CONSULT THE FACTORY

## TYPE ABT-15

BOLTED TEE CONNECTOR  
PIPE RUN TO PIPE TAP AT 15°



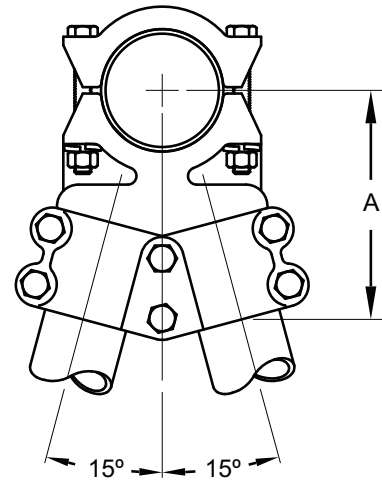
HOMAC CATALOG NUMBER	SPS RUN	SPS TAP	A
ABT-M-F-15	3 1/2	1	7 1/2
ABT-M-G-15		1 1/4	
ABT-M-H-15		1 1/2	
ABT-M-J-15		2	8
ABT-M-K-15		2 1/2	
ABT-M-L-15		3	
ABT-M-M-15		3 1/2	
ABT-P-J-15	4	2	8 1/2
ABT-P-K-15		2 1/2	
ABT-P-L-15		3	
ABT-P-M-15		3 1/2	9
ABT-P-P-15		4	
ABT-R-J-15	5	2	10
ABT-R-K-15		2 1/2	
ABT-R-L-15		3	
ABT-R-M-15		3 1/2	
ABT-R-P-15		4	10 1/2
ABT-R-R-15		5	
ABT-S-J-15	6	2	11 1/2
ABT-S-K-15		2 1/2	
ABT-S-L-15		3	
ABT-S-M-15		3 1/2	12
ABT-S-P-15		4	
ABT-S-R-15		5	
ABT-S-S-15	6		

CONNECTORS SUPPLIED WITH CLAMPING HARDWARE IN ACCORDANCE WITH NEMA STANDARD (CC 1)  
OTHER SIZES AVAILABLE, CONSULT THE FACTORY

## TYPE ABT-15-15

BOLTED VEE  
PIPE RUN TO (2) PIPE TAPS EACH AT 15°

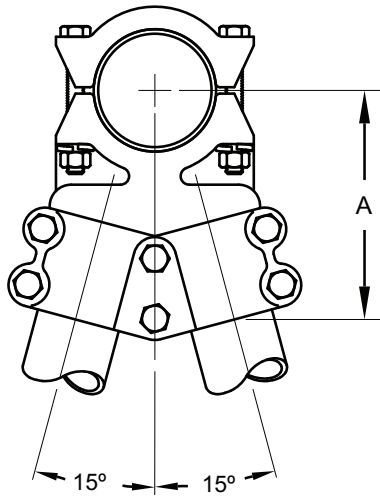
HOMAC CATALOG NUMBER	RUN SPS	TAP SPS	A
ABT-E-E2-15	3/4	3/4	5
ABT-F-E2-15	1	3/4	5 1/4
ABT-F-F-215		1	
ABT-G-E2-15	1 1/4	3/4	5 1/2
ABT-G-F2-15		1	
ABT-G-G2-15		1 1/4	
ABT-H-E2-15	1 1/2	3/4	5 3/4
ABT-H-F2-15		1	
ABT-H-G2-15		1 1/4	
ABT-H-H2-15		1 1/2	
ABT-J-E2-15	2	3/4	6
ABT-J-F2-15		1	
ABT-J-G2-15		1 1/4	
ABT-J-H2-15		1 1/2	
ABT-J-J2-15		2	
ABT-K-E2-15	2 1/2	3/4	6 1/4
ABT-K-F2-15		1	
ABT-K-G2-15		1 1/4	
ABT-K-H2-15		1 1/2	
ABT-K-J2-15		2	
ABT-K-K2-15		2 1/2	
ABT-L-E2-15	3	3/4	6 1/2
ABT-L-F2-15		1	
ABT-L-G2-15		1 1/4	
ABT-L-H2-15		1 1/2	
ABT-L-J2-15		2	7 1/4
ABT-L-K2-15		2 1/2	
ABT-L-L2-15		3	



CONNECTORS SUPPLIED WITH CLAMPING HARDWARE IN ACCORDANCE WITH NEMA STANDARD (CC 1)  
OTHER SIZES AVAILABLE, CONSULT THE FACTORY

## TYPE ABT-15-15

BOLTED VEE  
PIPE RUN TO (2) PIPE TAPS EACH AT 15°

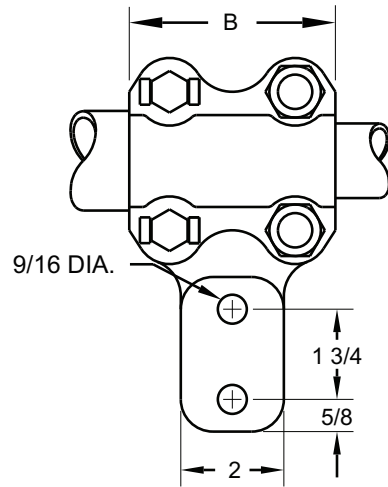
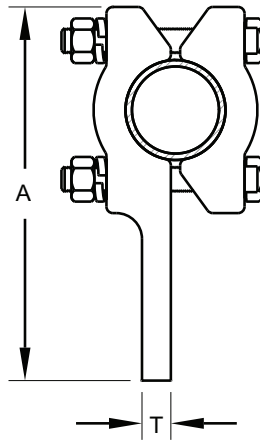


HOMAC CATALOG NUMBER	RUN SPS	TAP SPS	A
ABT-M-F2-15	3 1/2	1	7 1/2
ABT-M-G2-15		1 1/4	
ABT-M-H2-15		1 1/2	
ABT-M-J2-15		2	8
ABT-M-K2-15	2 1/2		
ABT-M-L2-15	3		
ABT-M-M2-15	3 1/2		
ABT-P-J2-15	4	2	8 1/2
ABT-P-K2-15		2 1/2	
ABT-P-L2-15		3	
ABT-P-M2-15		3 1/2	9
ABT-P-P2-15	4		
ABT-R-J2-15	5	2	
ABT-R-K2-15		2 1/2	
ABT-R-L2-15		3	
ABT-R-M2-15		3 1/2	
ABT-R-P2-15		4	10 1/2
ABT-R-R2-15	5		
ABT-S-J2-15	6	2	
ABT-S-K2-15		2 1/2	
ABT-S-L2-15		3	
ABT-S-M2-15		3 1/2	
ABT-S-P2-15		4	12
ABT-S-R2-15		5	
ABT-S-S2-15		6	

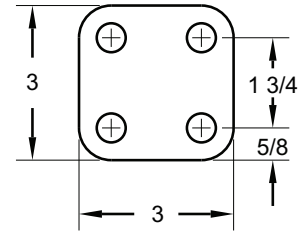
CONNECTORS SUPPLIED WITH CLAMPING HARDWARE IN ACCORDANCE WITH NEMA STANDARD (CC 1)  
OTHER SIZES AVAILABLE, CONSULT THE FACTORY

**TYPE ABNT**

BOLTED TEE  
PIPE TO FLAT



2-HOLE NEMA FLAT



3" 4-HOLE NEMA FLAT

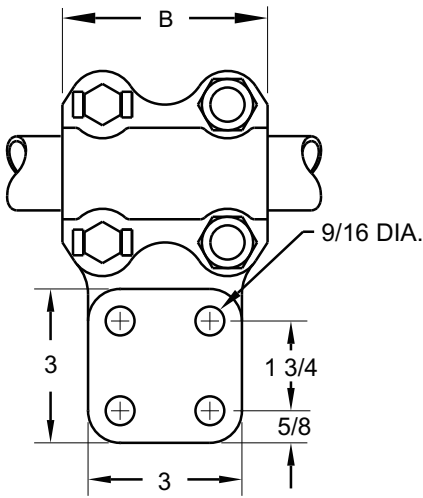
HOMAC CATALOG NUMBER	SPS	A	B	T	AMPS
<b>2-HOLE NEMA FLAT</b>					
ABNT-E-2N	3/4	6 13/16	3	1/2	600
ABNT-F-2N	1	6 3/4	3 3/8		
ABNT-G-2N	1 1/4	6 15/16	3	5/8	
ABNT-H-2N	1 1/2	7 3/16	2 15/16		
ABNT-J-2N	2	7 11/16			
ABNT-K-2N	2 1/2	8 1/2	3	3/4	
ABNT-L-2N	3	9 1/2	3 3/4		
ABNT-M-2N	3 1/2	10 1/4		5/8	
ABNT-P-2N	4	10 1/2	4	3/4	
ABNT-R-2N	5	11 3/8	4 1/4		
ABNT-S-2N	6	12 3/4			
<b>3" 4-HOLE NEMA FLAT</b>					
ABNT-E-4N	3/4	6 3/8	3	9/16	600
ABNT-F-4N	1	6 3/4		1/2	650
ABNT-G-4N	1 1/4	7 1/8		5/8	810
ABNT-H-4N	1 1/2	7 3/16		2 15/16	9/16

CONNECTORS SUPPLIED WITH CLAMPING HARDWARE IN ACCORDANCE WITH NEMA STANDARD (CC 1)  
OTHER SIZES AVAILABLE, CONSULT THE FACTORY  
ALL PADS ARE FINISHED ON BOTH SIDES

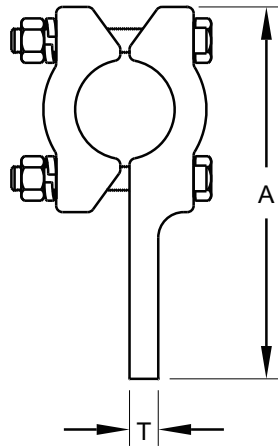
BOLTED ALUMINUM



**SUBSTATION PRODUCTS**

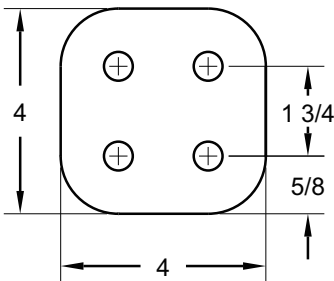


3" 4-HOLE NEMA FLAT



**TYPE ABNT**

**BOLTED TEE CONNECTOR  
PIPE TO FLAT**



4" 4-HOLE NEMA FLAT

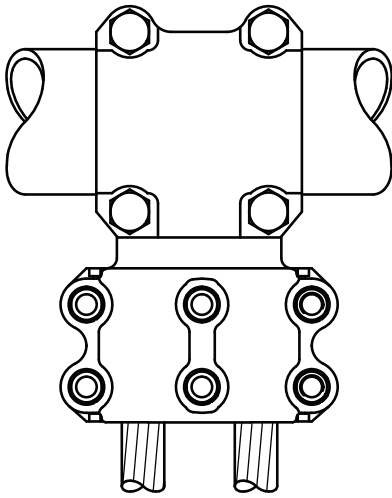
HOMAC CATALOG NUMBER	SPS	A	B	T	AMPS
<b>1.44 3" 4-HOLE NEMA FLAT</b>					
ABNT-J-4N	2	7 11/16	2 15/16	5/8	1155
ABNT-K-4N	2 1/2	8	3	5/8	1550
ABNT-L-4N	3	10 1/8	3 3/4	11/16	1895
ABNT-M-4N	3 1/2	10 1/4		5/8	2170
ABNT-P-4N	4	10 15/16	4	3/4	2000
ABNT-R-4N	5	11			
ABNT-S-4N	6	12 3/4			
<b>4" 4-HOLE NEMA FLAT</b>					
ABNT-J-4NN	2	9	4 3/16	1/2	1155
ABNT-K-4NN	2 1/2	9 1/2	3	5/8	1550
ABNT-L-4NN	3	10 1/2	5	13/16	1895
ABNT-M-4NN	3 1/2	10 3/4	3 3/4	3/4	2170
ABNT-P-4NN	4	11 1/2	4		
ABNT-R-4NN	5	13		1	2000
ABNT-S-4NN	6	14	4 1/2	3/4	

CONNECTORS SUPPLIED WITH CLAMPING HARDWARE IN ACCORDANCE WITH NEMA STANDARD (CC 1)  
OTHER SIZES AVAILABLE, CONSULT THE FACTORY  
ALL PADS ARE FINISHED ON BOTH SIDES

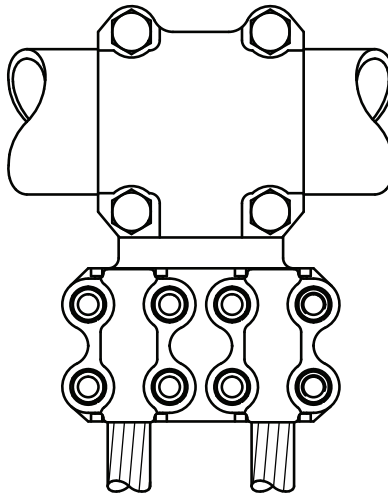
**BOLTED ALUMINUM**

## TYPE ABTT

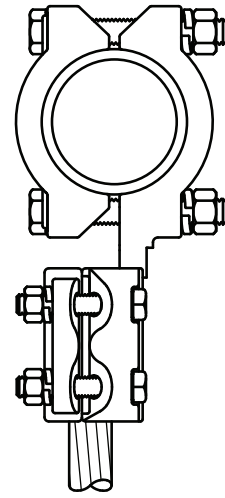
BOLTED TEE  
PIPE TO (2) CABLES



STYLE 1  
(1) CAP



STYLE 2  
(2) CAPS



CATALOG NUMBERS WILL BE DESIGNATED FROM THE FOLLOWING INFORMATION:

STYLE 1: ABTT1 - (PIPE) - (\* WIRE)  
 STYLE 2: ABTT - (PIPE) - (\* WIRE)

E.G.: ABTT - R - \*

\* WIRE SIZE TYPE (AAC, ACSR)  
 STRANDING MUST BE SUPPLIED IN ORDER TO DESIGNATE THE PROPER SIZE

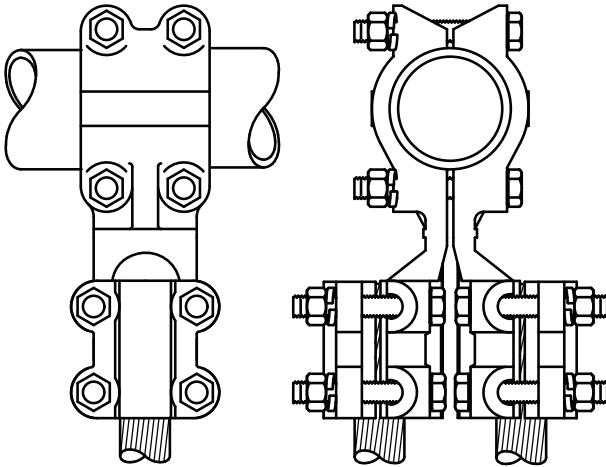
PIPE SIZE SCHEDULE 40 OR 80	LETTER
1	F
1 1/4	G
1 1/2	H
2	J
2 1/2	K
3	L
3 1/2	M
4	P
5	R
6	S

FOR OTHER CONFIGURATIONS, CONSULT THE FACTORY

BOLTED ALUMINUM

## TYPE AB2T

BOLTED TEE  
PIPE TO (2) CABLES



PIPE SIZE SCHEDULE 40 OR 80	LETTER
1	F
1 1/4	G
1 1/2	H
2	J
2 1/2	K
3	L
3 1/2	M
4	P
5	R
6	S

CATALOG NUMBERS WILL BE  
DESIGNATED FROM THE FOLLOWING  
INFORMATION:

AB2T - (PIPE LETTER) - (WIRE CODE)

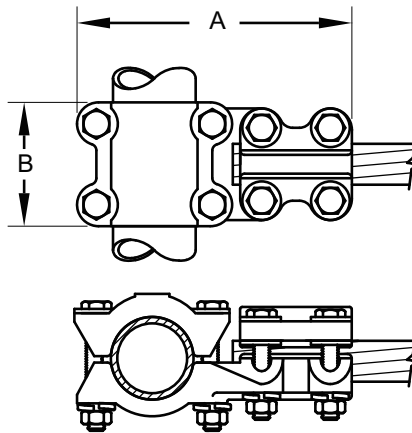
E.G.: "AB2T - R - 40"

WIRE CODE	CABLE SIZE	
	AAC	ACSR
40	1/0 - 400	1/0 - 336
100	250 - 1000	300 - 795
150	556 - 1500	636 - 1272
250	1100 - 2500	1113 - 2300

FOR OTHER CONFIGURATIONS, CONSULT THE FACTORY

**TYPE A6MT**

**BOLTED TEE  
PIPE TO CABLE**

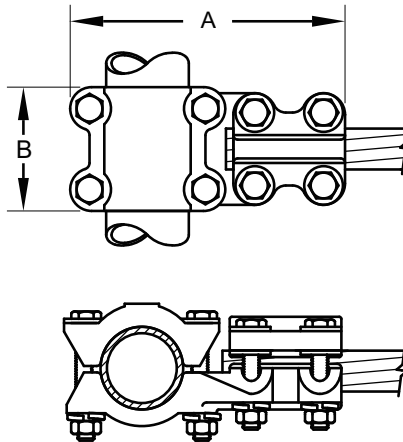


HOMAC CATALOG NUMBER	RUN SPS	CABLE SIZE		CABLE DIAMETER MIN.-MAX.	A	B
		AAC	ACSR			
A6MT-E-25	3/4	#4 - 250	#4 - 4/0	.232 - .575	6 3/16	3
A6MT-E-40		1/0 - 400	1/0 - 336	.368 - .741	6 7/16	
A6MT-E-100		250 - 1000	300 - 795	.567 - 1.150	6 7/16	
A6MT-F-25	1	#4 - 250	#4 - 4/0	.232 - .575	6 3/4	
A6MT-F-40		1/0 - 400	1/0 - 336	.368 - .741	6 3/4	
A6MT-F-100		250 - 1000	300 - 795	.567 - 1.150	6 15/16	
A6MT-G-25	1 1/4	#4 - 250	#4 - 4/0	.232 - .575	7 1/8	2 11/16
A6MT-G-40		1/0 - 400	1/0 - 336	.368 - .741	7 1/16	2 15/16
A6MT-G-100		250 - 1000	300 - 795	.567 - 1.150	7 1/4	2 11/16
A6MT-G-150		556 - 1500	636 - 1272	.856 - 1.412	7 3/4	3 5/8
A6MT-H-25	1 1/2	#4 - 250	#4 - 4/0	.232 - .575	7 1/16	2 15/16
A6MT-H-40		1/0 - 400	1/0 - 336	.368 - .741	7 1/4	
A6MT-H-100		250 - 1000	300 - 795	.567 - 1.150	7 9/16	
A6MT-H-150		556 - 1500	636 - 1272	.856 - 1.412	7 7/8	
A6MT-H-250		1100 - 2500	1113 - 2300	1.209 - 1.823	7	4

CONNECTORS SUPPLIED WITH CLAMPING HARDWARE IN ACCORDANCE WITH NEMA STANDARD (CC 1)

## TYPE A6MT

BOLTED TEE  
PIPE TO CABLE

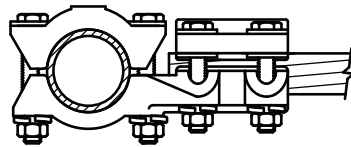
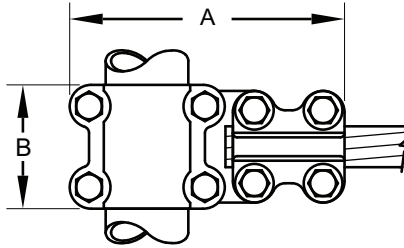


HOMAC CATALOG NUMBER	RUN SPS	CABLE SIZE		CABLE DIAMETER MIN.-MAX.	A	B
		AAC	ACSR			
A6MT-J-25	2	#4 - 250	#4 - 4/0	.232 - .575	7 3/8	4
A6MT-J-40		1/0 - 400	1/0 - 336	.368 - .741	7 3/4	
A6MT-J-100		250 - 1000	300 - 795	.567 - 1.150	8 1/8	2 15/16
A6MT-J-150		556 - 1500	636 - 1272	.856 - 1.412	8 9/16	
A6MT-J-250		1100 - 2500	1113 - 2300	1.209 - 1.823	9	
A6MT-K-25	2 1/2	#4 - 250	#4 - 4/0	.232 - .575	7 7/8	4
A6MT-K-40		1/0 - 400	1/0 - 336	.368 - .741	8 1/8	2 15/16
A6MT-K-100		250 - 1000	300 - 795	.567 - 1.150	8 5/16	3 1/4
A6MT-K-150		556 - 1500	636 - 1272	.857 - 1.412	9 1/16	3 5/8
A6MT-K-250		1100 - 2500	1113 - 2300	1.209 - 1.823	9 1/2	4 5/16
A6MT-L-25	3	#4 - 250	#4 - 4/0	.232 - .575	8 1/2	3
A6MT-L-40		1/0 - 400	1/0 - 336	.368 - .741	9 3/8	3 3/4
A6MT-L-100		250 - 1000	300 - 795	.567 - 1.150	9 11/16	
A6MT-L-150		556 - 1500	636 - 1272	.856 - 1.412	10 1/4	
A6MT-L-250		1100 - 2500	1113 - 2300	1.209 - 1.823	10 1/2	4 3/8

CONNECTORS SUPPLIED WITH CLAMPING HARDWARE IN ACCORDANCE WITH NEMA STANDARD (CC 1)

**TYPE A6MT**

**BOLTED TEE  
PIPE TO CABLE**



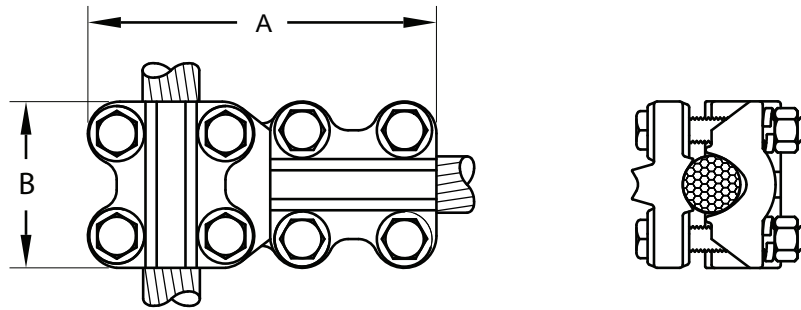
**BOLTED ALUMINUM**

HOMAC CATALOG NUMBER	RUN SPS	CABLE SIZE		CABLE DIAMETER MIN.-MAX.	A	B
		AAC	ACSR			
A6MT-M-25	3 1/2	#4 - 250	#4 - 4/0	.232 - .575	9 1/2	5
A6MT-M-40		1/0 - 400	1/0 - 336	.368 - .741	9 1/8	
A6MT-M-100		250 - 1000	300 - 795	.567 - 1.150	9 3/4	
A6MT-M-150		556 - 1500	636 - 1272	.856 - 1.412	10 3/4	
A6MT-M-250		1100 - 2500	1113 - 2300	1.209 - 1.823	10 7/8	
A6MT-P-25	4	#4 - 250	#4 - 4/0	.232 - .575	9 1/2	6
A6MT-P-40		1/0 - 400	1/0 - 336	.368 - .741	10 1/2	
A6MT-P-100		250 - 1000	300 - 795	.567 - 1.150	10 13/16	
A6MT-P-150		556 - 1500	636 - 1272	.856 - 1.412	11 5/16	
A6MT-P-250		1100 - 2500	1113 - 2300	1.209 - 1.823	11 11/16	
A6MT-R-40	5	1/0 - 400	1/0 - 336	.368 - .741	11 1/2	4 1/4
A6MT-R-100		250 - 1000	300 - 795	.567 - 1.150	12 1/4	
A6MT-R-150		556 - 1500	636 - 1272	.856 - 1.412	12 5/8	
A6MT-R-250		1100 - 2500	1113 - 2300	1.209 - 1.823	13 9/16	
A6MT-S-40	6	1/0 - 400	1/0 - 336	.368 - .741	12 3/4	4 1/4
A6MT-S-100		250 - 1000	300 - 795	.567 - 1.150	12 1/4	
A6MT-S-150		556 - 1500	636 - 1272	.856 - 1.412	12 1/4	
A6MT-S-250		1100 - 2500	1113 - 2300	1.209 - 1.823	13 7/8	

CONNECTORS SUPPLIED WITH CLAMPING HARDWARE IN ACCORDANCE WITH NEMA STANDARD (CC 1)

## TYPE A6MT

BOLTED TEE  
CABLE TO CABLE



**BOLTED ALUMINUM**

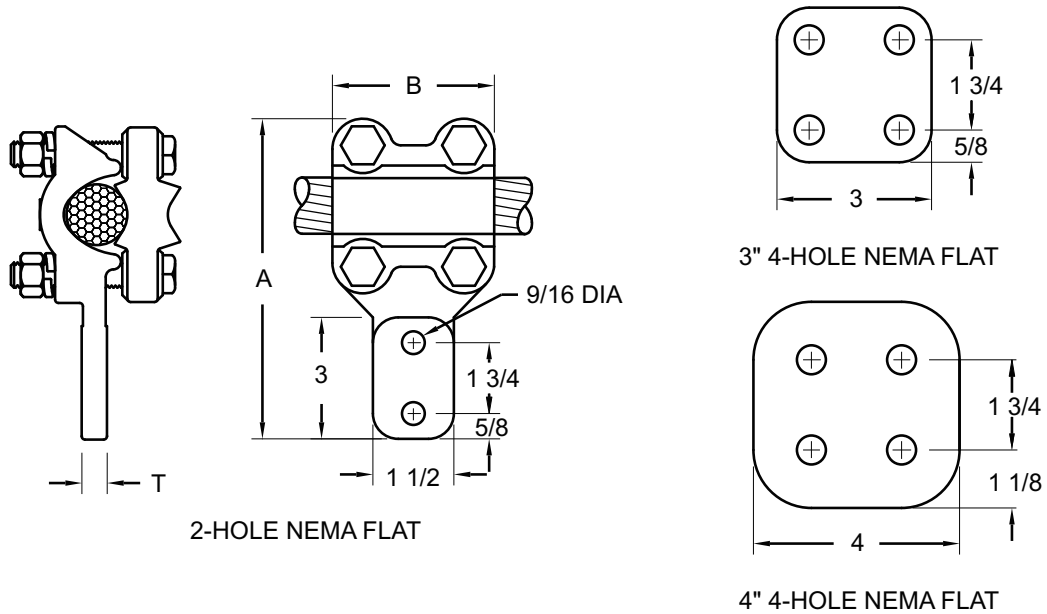
HOMAC CATALOG NUMBER	RUN			TAP			A	B
	AAC	ACSR	MIN.-MAX.	AAC	ACSR	MIN.-MAX.		
A6MT-25-25	#4 - 250	#4 - 4/0	.232 - .575	#4 - 250	#4 - 4/0	.232 - .575	6 3/16	3
A6MT-40-25	1/0 - 400	1/0 - 336	.368 - .741					
A6MT-40-40								
A6MT-40-100				250 - 1000	300 - 795	.567 - 1.150	6 7/16	
A6MT-100-25	250 - 1000	300 - 795	.567 - 1.150	#4 - 250	#4 - 4/0	.232 - .575	6 9/16	3 1/4
A6MT-100-40				1/0 - 400	1/0 - 336	.368 - .741		
A6MT-100-100				250 - 1000	300 - 795	.567 - 1.150	6 13/16	
A6MT-150-25	556 - 1500	636 - 1272	.856 - 1.412	#4 - 250	#4 - 4/0	.232 - .575	6 15/16	3 5/8
A6MT-150-40				1/0 - 400	1/0 - 336	.368 - .741	7 5/16	
A6MT-150-100				250 - 1000	300 - 795	.567 - 1.150	7 11/16	
A6MT-150-150				556 - 1500	636 - 1272	.856 - 1.412	7 11/16	
A6MT-250-40	1100 - 2500	1113 - 2300	1.209 - 1.823	1/0 - 400	1/0 - 336	.368 - .741	7 15/16	4
A6MT-250-100				250 - 1000	300 - 795	.567 - 1.150	8 5/16	
A6MT-250-150				556 - 1500	636 - 1272	.856 - 1.412	8 5/16	
A6MT-250-250				1100 - 2500	1113 - 2300	1.209 - 1.823	8 7/8	
A6MT-300-250	800 - 3000	795 - 2500	1.030 - 1.996	600 - 2500	636 - 2312			

CONNECTORS SUPPLIED WITH CLAMPING HARDWARE IN ACCORDANCE WITH NEMA STANDARD (CC 1)

**TYPE A7MT**

**BOLTED TEE  
CABLE TO FLAT**

**BOLTED ALUMINUM**



HOMAC CATALOG NUMBER	CABLE SIZE		CABLE DIAMETER MIN.-MAX.	A	B	T
	AAC	ACSR				
<b>2-HOLE NEMA FLAT</b>						
A7MT-40-2N	1/0 - 400	1/0 - 336	.368 - .741	6 3/16	3	9/16
A7MT-100-2N	250 - 1000	300 - 795	.567 - 1.150	6 5/8	3 1/4	1/2
A7MT-150-2N	556 - 1500	636 - 1272	.856 - 1.412	7 1/16	3 5/8	
A7MT-250-2N	1100 - 2500	1113 - 2300	1.209 - 1.823	10 7/8	3 3/4	
<b>3" 4-HOLE NEMA FLAT</b>						
A7MT-40-4N	1/0 - 400	1/0 - 336	.368 - .741	6 3/16	3	1/2
A7MT-100-4N	250 - 1000	300 - 795	.567 - 1.150	6 5/8	3 1/4	
A7MT-150-4N	556 - 1500	636 - 1272	.856 - 1.412	6 3/4	3 5/8	
A7MT-250-4N	1100 - 2500	1113 - 2300	1.209 - 1.823	7 3/4	3 3/4	5/8
<b>4" 4-HOLE NEMA FLAT</b>						
A7MT-40-4NN	1/0 - 400	1/0 - 336	.368 - .741	7 1/4	3	1/2
A7MT-100-4NN	250 - 1000	300 - 795	.567 - 1.150	7 1/2	3 1/4	
A7MT-150-4NN	556 - 1500	636 - 1272	.856 - 1.412	7 7/8	3 5/8	
A7MT-250-4NN	1100 - 2500	1113 - 2300	1.209 - 1.823	9 1/4	5 1/4	

CONNECTORS SUPPLIED WITH CLAMPING HARDWARE IN ACCORDANCE WITH NEMA STANDARD (CC 1)

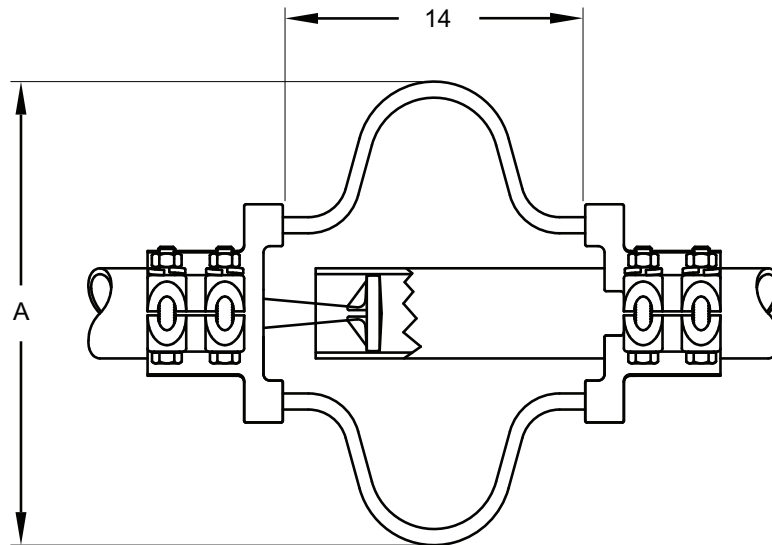
ALL PADS ARE FINISHED ON BOTH SIDES



**SUBSTATION PRODUCTS**

**TYPE AFG**

**BOLTED EXPANSION COUPLER  
PIPE TO PIPE**



**BOLTED ALUMINUM**

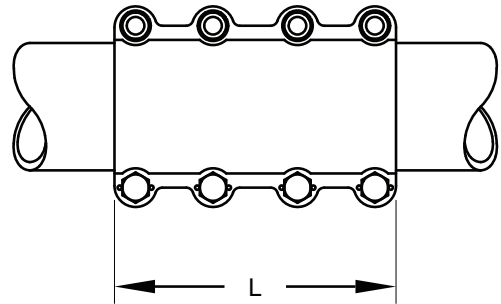
HOMAC CATALOG NUMBER	SPS	A	AMPS
AFG-F	1	12	650
AFG-G	1 1/4		810
AFG-H	1 1/2	14	930
AFG-J	2		1155
AFG-K	2 1/2	16	1550
AFG-L	3	17	1895
AFG-M	3 1/2		2170
AFG-P	4	18	2000
AFG-R	5	20	
AFG-S	6		

FOR SCHEDULE 80 PIPE ADD "H" TO CATALOG NUMBER: E.G. "AFGH-K"  
 USE CHART GA-735 FOR INSTALLATION SEE GENERAL REFERENCE PAGE 24  
 CONNECTORS SUPPLIED WITH CLAMPING HARDWARE IN ACCORDANCE WITH NEMA STANDARD (CC 1)

**TYPE ABC**

**BOLTED COUPLER - REDUCER  
PIPE TO PIPE**

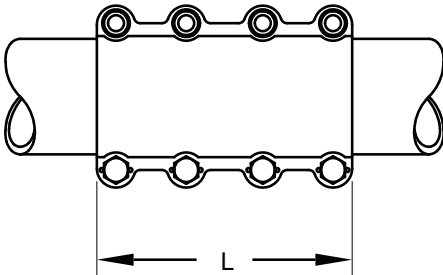
HOMAC CATALOG NUMBER	RUN SPS	TAP SPS	L
ABC-E	3/4	3/4	7 1/4
ABC-F-E	1		7
ABC-F-F		1	6 1/4
ABC-G-E	1 1/4	3/4	6 7/8
ABC-G-F		1	6 3/4
ABC-G		1 1/4	7 1/8
ABC-H-E	1 1/2	3/4	7 5/8
ABC-H-F		1	6 1/2
ABC-H-G		1 1/4	
ABC-H		1 1/2	6 3/4
ABC-J-E	2	3/4	7 1/4
ABC-J-F		1	
ABC-J-G		1 1/4	
ABC-J-H		1 1/2	6 1/2
ABC-J		2	7 3/4
ABC-K-E	3/4	7 1/4	
ABC-K-F	1	6 7/8	
ABC-K-G	1 1/4		
ABC-K-H	1 1/2	6 1/2	
ABC-K-J	2	7 3/4	
ABC-K	2 1/2	7 1/2	
ABC-L-E	3	3/4	6 1/2
ABC-L-F		1	6 3/4
ABC-L-G		1 1/4	
ABC-L-H		1 1/2	7 3/4
ABC-L-J		2	8 1/2
ABC-L-K		2 1/2	7 7/8
ABC-L		3	9



CONNECTORS SUPPLIED WITH CLAMPING HARDWARE IN ACCORDANCE WITH NEMA STANDARD (CC 1)

## TYPE ABC

### BOLTED COUPLER - REDUCER PIPE TO PIPE

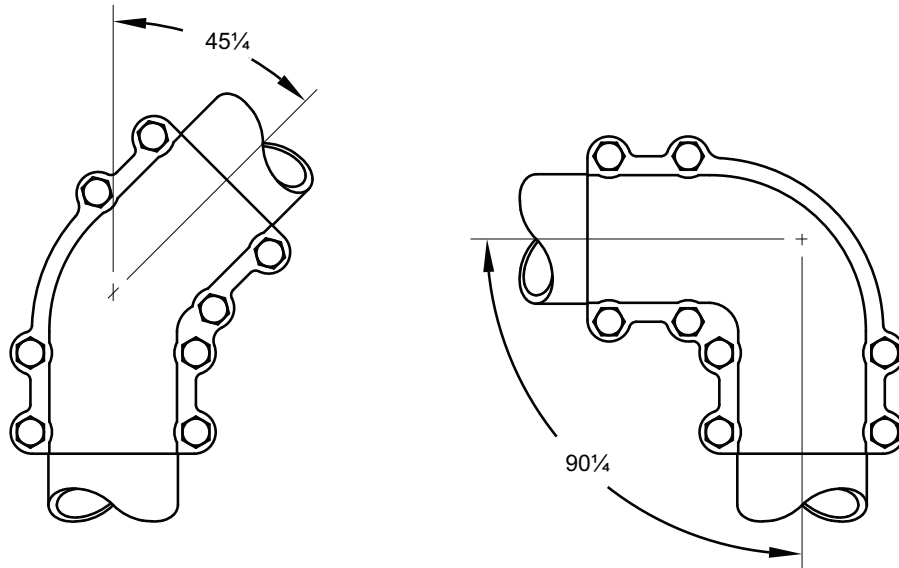


HOMAC CATALOG NUMBER	RUN SPS	TAP SPS	L
ABC-M-J	3 1/2	2	8
ABC-M-K		2 1/2	
ABC-M-L		3	8 3/4
ABC-M		3 1/2	9 1/4
ABC-P-G	4	1 1/4	8
ABC-P-H		1 1/2	
ABC-P-J		2	8 1/4
ABC-P-K		2 1/2	8
ABC-P-L		3	9 1/4
ABC-P-M		3 1/2	
ABC-P		4	10
ABC-R-H		5	1 1/2
ABC-R-J	2		
ABC-R-K	2 1/2		
ABC-R-L	3		8 3/4
ABC-R-M	3 1/2		9 1/4
ABC-R-P	4		
ABC-R	5	13 3/4	
ABC-S-J	6	2	8
ABC-S-K		2 1/2	
ABC-S-L		3	8 3/4
ABC-S-M		3 1/2	9 1/4
ABC-S-P		4	
ABC-S-R		5	13 3/4
ABC-S		6	

CONNECTORS SUPPLIED WITH CLAMPING HARDWARE IN ACCORDANCE WITH NEMA STANDARD (CC 1)

**TYPE ABCE**

**BOLTED ELBOW  
PIPE TO PIPE**

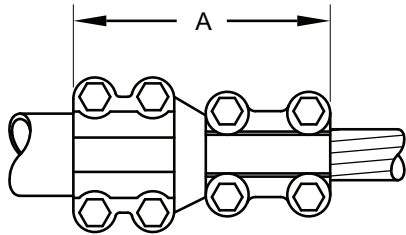


**BOLTED ALUMINUM**

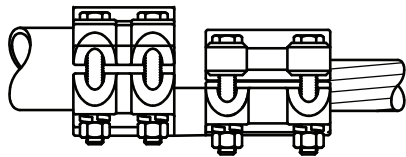
HOMAC CATALOG NUMBER		SPS
45 DEGREE	90 DEGREE	
ABCE-F-45	ABCE-F-90	1
ABCE-G-45	ABCE-G-90	1 1/4
ABCE-H-45	ABCE-H-90	1 1/2
ABCE-J-45	ABCE-J-90	2
ABCE-K-45	ABCE-K-90	2 1/2
ABCE-L-45	ABCE-L-90	3
ABCE-M-45	ABCE-M-90	3 1/2
ABCE-P-45	ABCE-P-90	4
ABCE-R-45	ABCE-R-90	5
ABCE-S-45	ABCE-S-90	6

FOR OTHER CONFIGURATIONS, CONSULT THE FACTORY  
CONNECTORS SUPPLIED WITH CLAMPING HARDWARE IN ACCORDANCE WITH NEMA STANDARD (CC 1)

**TYPE ABR**



**BOLTED REDUCER  
PIPE TO CABLE**



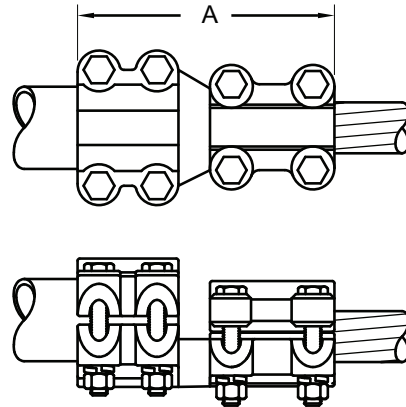
**BOLTED ALUMINUM**

HOMAC CATALOG NUMBER	RUN SPS	CABLE SIZE		CABLE DIAMETER MIN.-MAX.	A
		AAC	ACSR		
ABR-E-25	3/4	#4 - 250	#4 - 4/0	.232 - .575	6 1/2
ABR-E-40		1/0 - 400	1/0 - 336	.368 - .741	
ABR-E-100		250 - 1000	300 - 795	.567 - 1.150	6 7/8
ABR-E-150		556 - 1500	636 - 1272	.856 - 1.412	
ABR-F-25	1	#4 - 250	#4 - 4/0	.232 - .575	6 1/2
ABR-F-40		1/0 - 400	1/0 - 336	.368 - .741	
ABR-F-100		250 - 1000	300 - 795	.567 - 1.150	6 3/4
ABR-F-150		556 - 1500	636 - 1272	.856 - 1.412	7 1/4
ABR-G-25	1 1/4	#4 - 250	#4 - 4/0	.232 - .575	6 1/2
ABR-G-40		1/0 - 400	1/0 - 336	.368 - .741	
ABR-G-100		250 - 1000	300 - 795	.567 - 1.150	7 1/8
ABR-G-150		556 - 1500	636 - 1272	.856 - 1.412	
ABR-G-250		1100 - 2500	1113 - 2300	1.209 - 1.823	
ABR-H-25	1 1/2	#4 - 250	#4 - 4/0	.232 - .575	6 7/8
ABR-H-40		1/0 - 400	1/0 - 336	.368 - .741	
ABR-H-100		250 - 1000	300 - 795	.567 - 1.150	6 3/4
ABR-H-150		556 - 1500	636 - 1272	.856 - 1.412	7 5/16
ABR-H-250		1100 - 2500	1113 - 2300	1.209 - 1.823	7 15/16

CONNECTORS SUPPLIED WITH CLAMPING HARDWARE IN ACCORDANCE WITH NEMA STANDARD (CC 1)

**TYPE ABR**

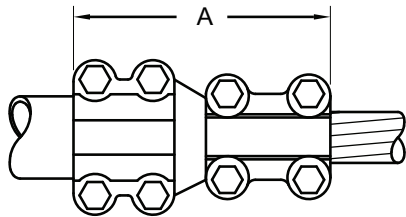
**BOLTED REDUCER  
PIPE TO CABLE**



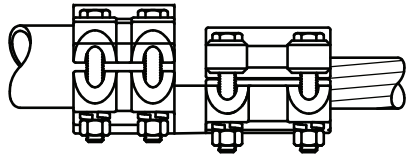
HOMAC CATALOG NUMBER	RUN SPS	CABLE SIZE		CABLE DIAMETER MIN.-MAX.	A
		AAC	ACSR		
ABR-J-25	2	#4 - 250	#4 - 4/0	.232 - .575	7 1/4
ABR-J-40		1/0 - 400	1/0 - 336	.368 - .741	
ABR-J-100		250 - 1000	300 - 795	.567 - 1.150	
ABR-J-150		556 - 1500	636 - 1272	.856 - 1.412	
ABR-J-250		1100 - 2500	1113 - 2300	1.209 - 1.823	8 7/16
ABR-K-25	2 1/2	#4 - 250	#4 - 4/0	.232 - .575	7
ABR-K-40		1/0 - 400	1/0 - 336	.368 - .741	
ABR-K-100		250 - 1000	300 - 795	.567 - 1.150	7 1/4
ABR-K-150		556 - 1500	636 - 1272	.856 - 1.412	7 5/8
ABR-K-250		1100 - 2500	1113 - 2300	1.209 - 1.823	7 15/16
ABR-L-25	3	#4 - 250	#4 - 4/0	.232 - .575	7 5/8
ABR-L-40		1/0 - 400	1/0 - 336	.368 - .741	
ABR-L-100		250 - 1000	300 - 795	.567 - 1.150	8 7/8
ABR-L-150		556 - 1500	636 - 1272	.856 - 1.412	8 3/8
ABR-L-250		1100 - 2500	1113 - 2300	1.209 - 1.823	9 3/16
ABR-M-25	3 1/2	#4 - 250	#4 - 4/0	.232 - .575	8 1/8
ABR-M-40		1/0 - 400	1/0 - 336	.368 - .741	
ABR-M-100		250 - 1000	300 - 795	.567 - 1.150	8 7/8
ABR-M-150		556 - 1500	636 - 1272	.856 - 1.412	
ABR-M-250		1100 - 2500	1113 - 2300	1.209 - 1.823	

CONNECTORS SUPPLIED WITH CLAMPING HARDWARE IN ACCORDANCE WITH NEMA STANDARD (CC 1)

**TYPE ABR**



**BOLTED REDUCER  
PIPE TO CABLE**



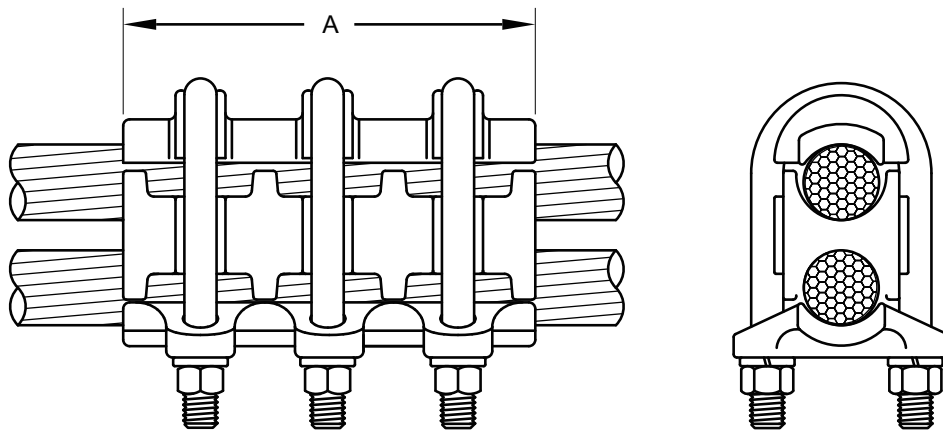
**BOLTED ALUMINUM**

HOMAC CATALOG NUMBER	RUN SPS	CABLE SIZE		CABLE DIAMETER MIN.-MAX.	A
		AAC	ACSR		
ABR-P-25	4	#4 - 250	#4 - 4/0	.232 - .575	9 3/4
ABR-P-40		1/0 - 400	1/0 - 336	.368 - .741	
ABR-P-100		250 - 1000	300 - 795	.567 - 1.150	
ABR-P-150		556 - 1500	636 - 1272	.856 - 1.412	10 1/2
ABR-P-250		1100 - 2500	1113 - 2300	1.209 - 1.823	10 3/4
ABR-R-25	5	#4 - 250	#4 - 4/0	.232 - .575	9 7/8
ABR-R-40		1/0 - 400	1/0 - 336	.368 - .741	
ABR-R-100		250 - 1000	300 - 795	.567 - 1.150	10 1/8
ABR-R-150		556 - 1500	636 - 1272	.856 - 1.412	10 5/8
ABR-R-250		1100 - 2500	1113 - 2300	1.209 - 1.823	10 7/16
ABR-S-25	6	#4 - 250	#4 - 4/0	.232 - .575	9 7/8
ABR-S-40		1/0 - 400	1/0 - 336	.368 - .741	
ABR-S-100		250 - 1000	300 - 795	.567 - 1.150	10 1/8
ABR-S-150		556 - 1500	636 - 1272	.856 - 1.412	10 5/8
ABR-S-250		1100 - 2500	1113 - 2300	1.209 - 1.823	10 7/16

CONNECTORS SUPPLIED WITH CLAMPING HARDWARE IN ACCORDANCE WITH NEMA STANDARD (CC 1)

**TYPE ABRU**

**U-BOLT PARALLEL CLAMP  
CABLE TO CABLE**



HOMAC CATALOG NUMBER	RUN & TAP CABLE RANGE ACSR	CABLE DIAMETER MIN.-MAX.	A	NO. OF BOLTS
ABRU2-26	1/0 - 266.8 (26/7)	.398 - .642	3 1/4	2
ABRU2-39	3/0 - 397.5 (18/1)	.502 - .743		
ABRU3-79	397.5 (18/1) - 795 (30/19)	.743 - 1.140	5 5/8	3
ABRU3-159	795 (26/7) - 1590 (45/7)	1.108 - 1.504	8	
ABRU3-230	2156 (84/19) - 2312	1.762 - 1.802		

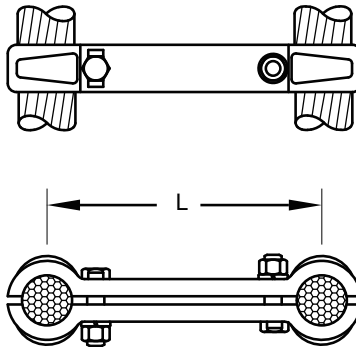
OTHER SIZES AVAILABLE, CONTACT YOUR HOMAC REPRESENTATIVE  
CONNECTORS SUPPLIED WITH CLAMPING HARDWARE IN ACCORDANCE WITH NEMA STANDARD (CC 1)



**SUBSTATION PRODUCTS**

**TYPE ACS2**

CABLE SPACER  
(2) CABLES

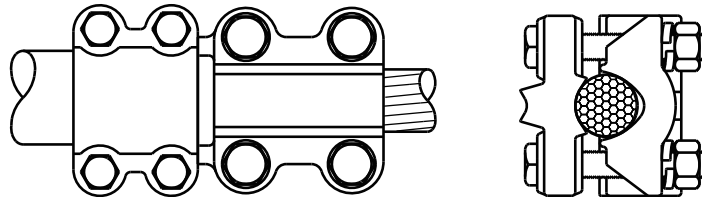


HOMAC CATALOG NUMBER	CABLE SIZE		CABLE DIAMETER MIN.-MAX.	L
	AAC	ACSR		
ACS2-60-4	350 - 600	336.4 - 477	.679 - .893	4
ACS2-60-8				8
ACS2-60-12				12
ACS2-90-4	600 - 900	556.5 - 715.5	.879 - 1.094	4
ACS2-90-8				8
ACS2-90-12				12
ACS2-125-4	900 - 1250	715.5 - 1113	1.081 - 1.293	4
ACS2-125-8				8
ACS2-125-12				12
ACS2-160-4	1250 - 1600	1113 - 1431	1.288 - 1.427	4
ACS2-160-8				8
ACS2-160-12				12
ACS2-200-4	1500 - 2000	1272 - 1780	1.382 - 1.632	4
ACS2-200-8				8
ACS2-200-12				12
ACS2-250-8	2000 - 2500	2156 - 2167	1.630 - 1.824	8
ACS2-250-12				12

OTHER SIZES AVAILABLE, CONTACT YOUR HOMAC REPRESENTATIVE  
CONNECTORS SUPPLIED WITH CLAMPING HARDWARE IN ACCORDANCE WITH NEMA STANDARD (CC 1)

**TYPE ABR**

**BOLTED COUPLER  
PIPE TO CABLE**

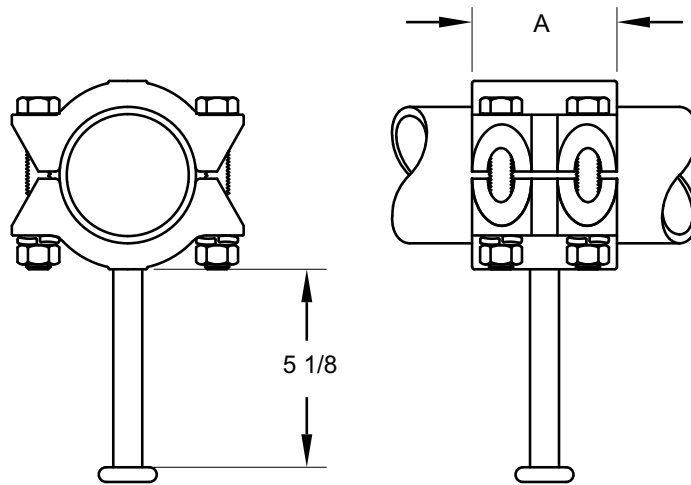


HOMAC CATALOG NUMBER	CABLE SIZE				CABLE DIAMETER MIN.-MAX.		A	B
	RUN		TAP		RUN	TAP		
	AAC	ACSR	AAC	ACSR				
ABR-25-25	#4 - 250	#4 - 4/0	#4 - 250	#4 - 4/0	.232 - .575	.232 - .575	3	
ABR-40-25	1/0 - 400	1/0 - 336			.368 - .741			
ABR-40-40								
ABR-100-40	250 - 1000	300 - 795	1/0 - 400	1/0 - 336	.567 - 1.150	.368 - .741	3 3/8	3
ABR-100-100			250 - 1000	300 - 795				.567 - 1.150
ABR-150-40	556 - 1500	636 - 1272	1/0 - 400	1/0 - 336	.856 - 1.412	.232 - .893	3 3/4	
ABR-150-100			250 - 1000	300 - 795				.567 - 1.150
ABR-250-100	1100 - 2500	1113 - 2300	1.209 - 1.823	.893 - 1.823	4	4		
ABR-250-250	600 - 2500	556.5 - 2300					600 - 2500	556.5 - 2300

CONNECTORS SUPPLIED WITH CLAMPING HARDWARE IN ACCORDANCE WITH NEMA STANDARD (CC 1)

## TYPE ABGS

BOLTED GROUND STUD  
PIPE TO GROUND



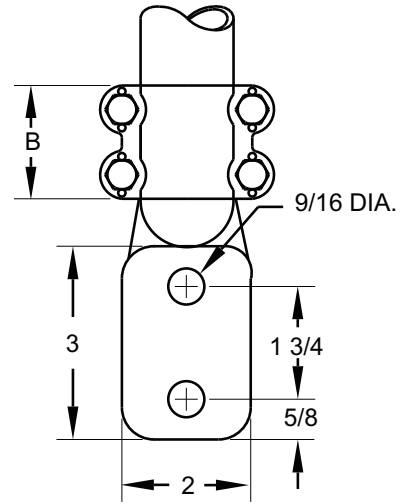
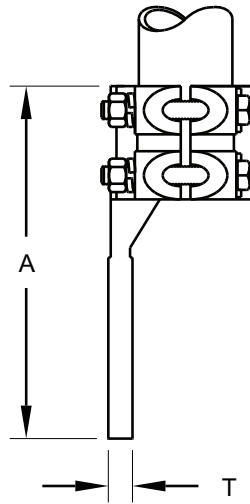
HOMAC CATALOG NUMBER	SPS	A
ABGS-E	3/4	3
ABGS-F	1	
ABGS-G	1 1/4	
ABGS-H	1 1/2	
ABGS-J	2	
ABGS-K	2 1/2	3 3/4
ABGS-L	3	
ABGS-M	3 1/2	4 1/4
ABGS-P	4	
ABGS-R	5	
ABGS-S	6	

CONNECTORS SUPPLIED WITH CLAMPING HARDWARE IN ACCORDANCE WITH NEMA STANDARD (CC 1)

**BOLTED ALUMINUM**

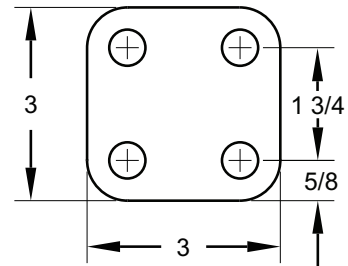
**TYPE ABN**

**BOLTED TERMINAL  
PIPE TO FLAT**



**2-HOLE NEMA FLAT**

HOMAC CATALOG NUMBER	SPS	A	B	T	AMPS
<b>2-HOLE NEMA FLAT</b>					
ABN-E-2N	3/4	6 5/8	3	1/2	600
ABN-F-2N	1	6 3/4		5/8	
ABN-G-2N	1 1/4	7 3/4			
ABN-H-2N	1 1/2	7 1/4			
ABN-J-2N	2	7 7/16			
ABN-K-2N	2 1/2	7 1/2			
ABN-L-2N	3	8	3 3/4	3/4	
ABN-M-2N	3 1/2	7 3/4	4 1/4	7/8	
ABN-P-2N	4	8			
ABN-R-2N	5	11 3/8	6 1/2	1	
ABN-S-2N	6	12		1 1/4	
<b>3" 4-HOLE NEMA FLAT</b>					
ABN-E-4N	3/4	6 1/2	3	1/2	600
ABN-F-4N	1	6 3/4			650
ABN-G-4N	1 1/4	6 1/2			810
ABN-H-4N	1 1/2				930



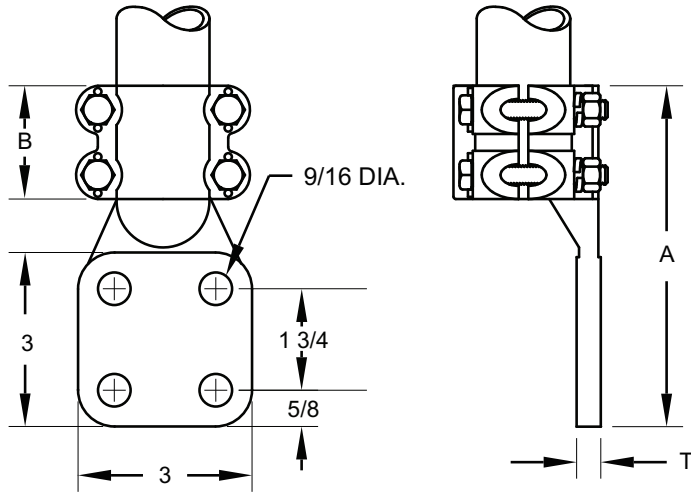
**3" 4-HOLE NEMA FLAT**

OTHER SIZES AVAILABLE, CONSULT THE FACTORY

CONNECTORS SUPPLIED WITH CLAMPING HARDWARE IN ACCORDANCE WITH NEMA STANDARD (CC 1)

ALL PADS ARE FINISHED ON BOTH SIDES

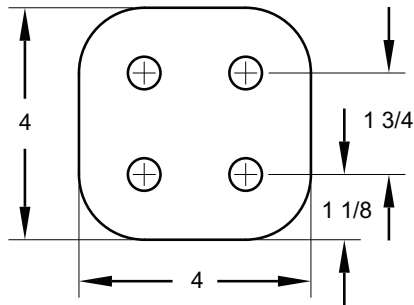
**SUBSTATION PRODUCTS**



**TYPE ABN**

**BOLTED TERMINAL  
PIPE TO FLAT**

**3" 4-HOLE NEMA FLAT**



**4" 4-HOLE NEMA FLAT**

HOMAC CATALOG NUMBER	SPS	A	B	T	AMPS
<b>3" 4-HOLE NEMA FLAT</b>					
ABN-J-4N	2	7 7/16	3	5/8	1155
ABN-K-4N	2 1/2	7 1/2			1550
ABN-L-4N	3	8	3 3/4	3/4	1895
ABN-M-4N	3 1/2	9 1/2	4 1/4	7/8	2170
ABN-P-4N	4	9 5/8			2460
ABN-R-4N	5	11 3/8	6 1/2	1	3080
ABN-S-4N	6	12		1 1/4	3735
<b>4" 4-HOLE NEMA FLAT</b>					
ABN-F-4NN	1	7 7/8	3	1/2	1155
ABN-G-4NN	1 1/4	8 1/8		1550	
ABN-H-4NN	1 1/2	8 1/4		1895	
ABN-J-4NN	2	7 3/4		1155	
ABN-K-4NN	2 1/2	8		1550	
ABN-L-4NN	3	9 3/8	3 3/4	3/4	1895
ABN-M-4NN	3 1/2	10 1/2	4 1/4	13/16	2170
ABN-P-4NN	4	10 1/4		7/8	2460
ABN-R-4NN	5	11 3/8	6 1/2	1	3080
ABN-S-4NN	6	12		1 1/4	3735

OTHER SIZES AVAILABLE, CONSULT THE FACTORY

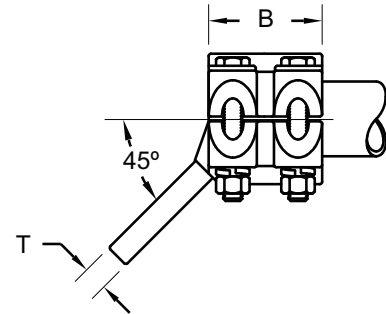
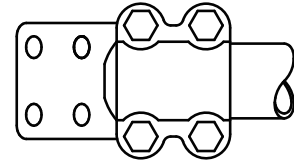
CONNECTORS SUPPLIED WITH CLAMPING HARDWARE IN ACCORDANCE WITH NEMA STANDARD (CC 1)

ALL PADS ARE FINISHED ON BOTH SIDES

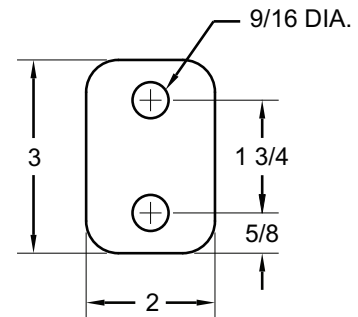
**BOLTED ALUMINUM**

**TYPE ABN-45**

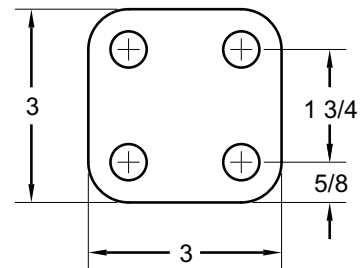
**BOLTED TERMINAL  
PIPE TO FLAT AT 45°**



HOMAC CATALOG NUMBER	SPS	B	T	AMPS
<b>2-HOLE NEMA FLAT</b>				
ABN-E-2N45	3/4	3	1/2	600
ABN-F-2N45	1		5/8	
ABN-G-2N45	1 1/4			
ABN-H-2N45	1 1/2			
ABN-J-2N45	2			
ABN-K-2N45	2 1/2			
ABN-L-2N45	3	3 3/4	3/4	
ABN-M-2N45	3 1/2	4 1/4	7/8	
ABN-P-2N45	4			
ABN-R-2N45	5	6 1/2	1	
ABN-S-2N45	6		1 1/4	
<b>3" 4-HOLE NEMA FLAT</b>				
ABN-E-4N45	3/4	3	1/2	600
ABN-F-4N45	1			650
ABN-G-4N45	1 1/4			810
ABN-H-4N45	1 1/2			930

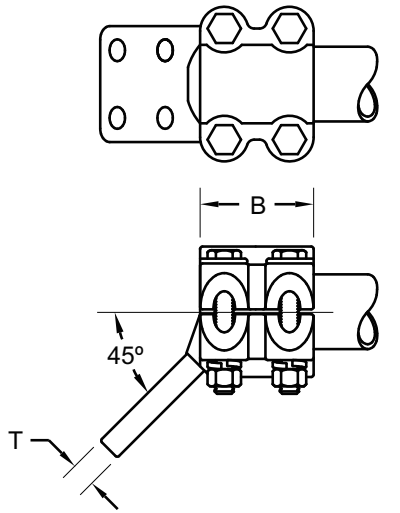


**2-HOLE NEMA FLAT**



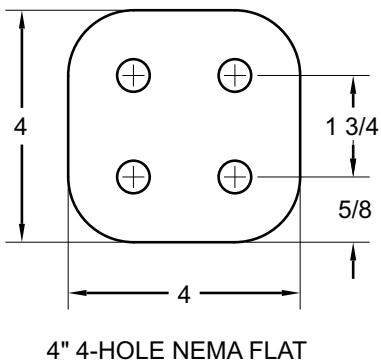
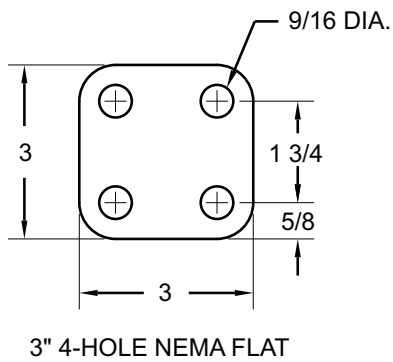
**3" 4-HOLE NEMA FLAT**

OTHER SIZES AVAILABLE, CONSULT THE FACTORY  
CONNECTORS SUPPLIED WITH CLAMPING HARDWARE IN ACCORDANCE WITH NEMA STANDARD (CC 1)  
ALL PADS ARE FINISHED ON BOTH SIDES



## TYPE ABN-45

BOLTED TERMINAL  
PIPE TO FLAT AT 45°



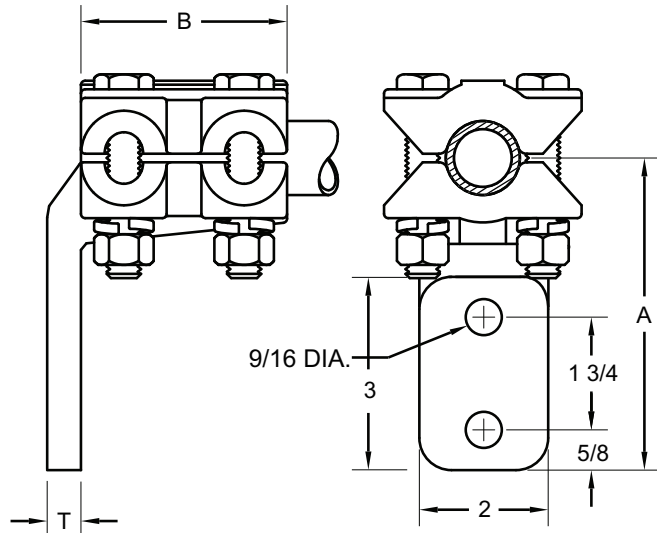
HOMAC CATALOG NUMBER	SPS	B	T	AMPS
<b>3" 4-HOLE NEMA FLAT</b>				
ABN-J-4N45	2	3	5/8	1155
ABN-K-4N45	2 1/2			1550
ABN-L-4N45	3	3 3/4	3/4	1895
ABN-M-4N45	3 1/2	4 1/4	7/8	2170
ABN-P-4N45	4			2460
ABN-R-4N45	5	6 1/2	1	3080
ABN-S-4N45	6		1 1/4	3735
<b>4" 4-HOLE NEMA FLAT</b>				
ABN-F-4NN45	1	3	5/8	1155
ABN-G-4NN45	1 1/4			1550
ABN-H-4NN45	1 1/2			1895
ABN-J-4NN45	2	3 3/4	3/4	1155
ABN-K-4NN45	2 1/2			1550
ABN-L-4NN45	3	4 1/4	13/16	1895
ABN-M-4NN45	3 1/2			2170
ABN-P-4NN45	4	6 1/2	7/8	2460
ABN-R-4NN45	5		1	3080
ABN-S-4NN45	6	1 1/4	3735	

OTHER SIZES AVAILABLE, CONSULT THE FACTORY  
CONNECTORS SUPPLIED WITH CLAMPING HARDWARE IN ACCORDANCE WITH NEMA STANDARD (CC 1)  
ALL PADS ARE FINISHED ON BOTH SIDES

**BOLTED ALUMINUM**

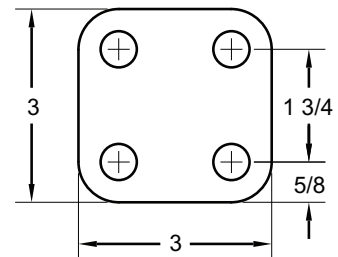
**TYPE ABN-90**

BOLTED TERMINAL  
PIPE TO FLAT AT 90°



2-HOLE NEMA FLAT

HOMAC CATALOG NUMBER	SPS	A	B	T	AMPS
<b>2-HOLE NEMA FLAT</b>					
ABN-E-2N90	3/4	4 5/8	3	1/2	600
ABN-F-2N90	1	4 3/4		5/8	
ABN-G-2N90	1 1/4	5 1/8			
ABN-H-2N90	1 1/2	5 1/4		3/4	
ABN-J-2N90	2				
ABN-K-2N90	2 1/2				
ABN-L-2N90	3	5 3/4	3 3/4	3/4	
ABN-M-2N90	3 1/2	6 1/4	4 1/4	7/8	
ABN-P-2N90	4	6 3/4			
ABN-R-2N90	5	7 1/2	6 1/2	1	
ABN-S-2N90	6	8		1 1/4	
<b>3" 4-HOLE NEMA FLAT</b>					
ABN-E-4N90	3/4	4 5/8	3	1/2	600
ABN-F-4N90	1	4 3/4			650
ABN-G-4N90	1 1/4	5 1/8			810
ABN-H-4N90	1 1/2	5 1/4			930



3" 4-HOLE NEMA FLAT

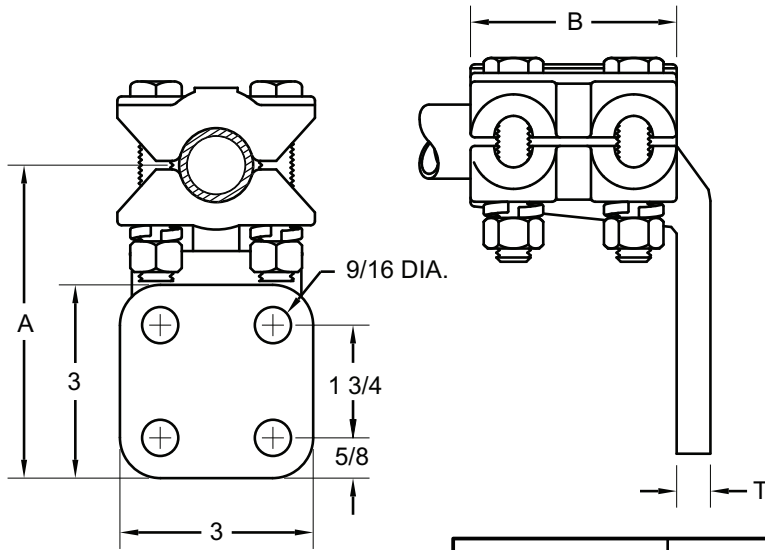
OTHER SIZES AVAILABLE, CONSULT THE FACTORY  
CONNECTORS SUPPLIED WITH CLAMPING HARDWARE IN ACCORDANCE WITH NEMA STANDARD (CC 1)  
ALL PADS ARE FINISHED ON BOTH SIDES



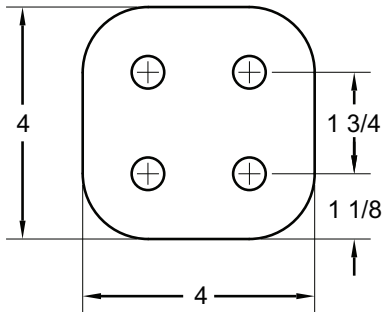
**SUBSTATION PRODUCTS**

**TYPE ABN-90**

**BOLTED TERMINAL  
PIPE TO FLAT AT 90°**



3" 4-HOLE NEMA FLAT



4" 4-HOLE NEMA FLAT

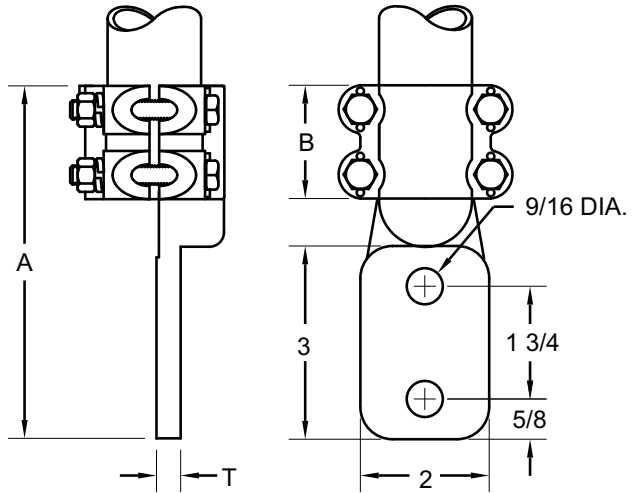
HOMAC CATALOG NUMBER	SPS	A	B	T	AMPS
<b>3" 4-HOLE NEMA FLAT</b>					
ABN-J-4N90	2	5 1/4	3	5/8	1155
ABN-K-4N90	2 1/2				1550
ABN-L-4N90	3	5 3/4	3 3/4	3/4	1895
ABN-M-4N90	3 1/2	6 1/4	4 1/4		2170
ABN-P-4N90	4	6 3/4	4 1/4	7/8	2460
ABN-R-4N90	5	7 1/2		1	3080
ABN-S-4N90	6	8	6 1/2	1 1/4	3735
<b>4" 4-HOLE NEMA FLAT</b>					
ABN-F-4NN90	1	5 3/4	3	1/2	1155
ABN-G-4NN90	1 1/4	6 1/8			1550
ABN-H-4NN90	1 1/2	6 1/4		5/8	1895
ABN-J-4NN90	2				1155
ABN-K-4NN90	2 1/2	6 3/4	3 3/4	3/4	1550
ABN-L-4NN90	3				1895
ABN-M-4NN90	3 1/2	7 1/4	4 1/4	13/16	2170
ABN-P-4NN90	4	7 3/4	4 1/4	7/8	2460
ABN-R-4NN90	5	8 1/2		6 1/2	1
ABN-S-4NN90	6	9	1 1/4		3735

OTHER SIZES AVAILABLE, CONSULT THE FACTORY  
CONNECTORS SUPPLIED WITH CLAMPING HARDWARE IN ACCORDANCE WITH NEMA STANDARD (CC 1)  
ALL PADS ARE FINISHED ON BOTH SIDES

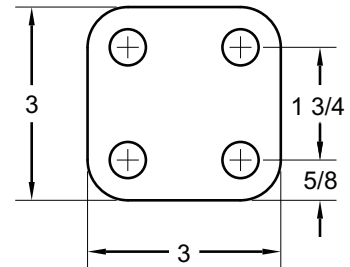
**BOLTED ALUMINUM**

**TYPE ABNC**

**BOLTED TERMINAL  
PIPE TO FLAT  
CENTER FORMED**



**2-HOLE NEMA FLAT**



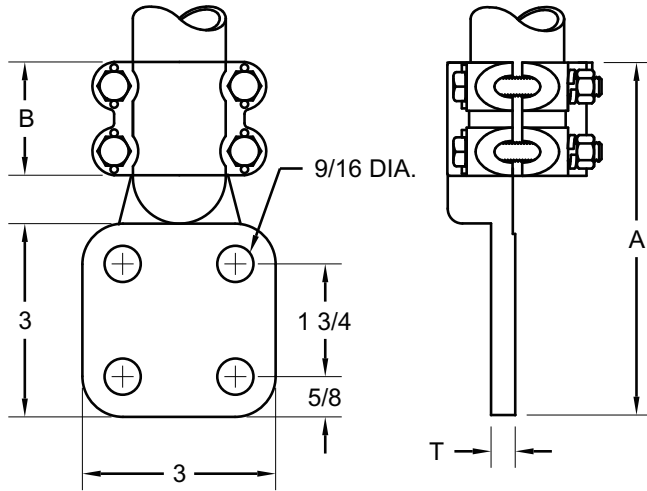
**3" 4-HOLE NEMA FLAT**

HOMAC CATALOG NUMBER	SPS	A	B	T	AMPS
<b>2-HOLE NEMA FLAT</b>					
ABNC-E-2N	3/4	6 5/8	3	1/2	600
ABNC-F-2N	1	6 3/4		5/8	
ABNC-G-2N	1 1/4	7 3/4			
ABNC-H-2N	1 1/2	7 1/4			
ABNC-J-2N	2	7 7/16			
ABNC-K-2N	2 1/2	7 1/2			
ABNC-L-2N	3	8	3 3/4	3/4	
ABNC-M-2N	3 1/2	7 3/4	4 1/4	7/8	
ABNC-P-2N	4	8			
ABNC-R-2N	5	11 3/8	6 1/2	1	
ABNC-S-2N	6	12		1 1/4	
<b>3" 4-HOLE NEMA FLAT</b>					
ABNC-E-4N	3/4	6 1/2	3	1/2	600
ABNC-F-4N	1	6 3/4			650
ABNC-G-4N	1 1/4	6 1/2			810
ABNC-H-4N	1 1/2				930

OTHER SIZES AVAILABLE, CONSULT THE FACTORY  
CONNECTORS SUPPLIED WITH CLAMPING HARDWARE IN ACCORDANCE WITH NEMA STANDARD (CC 1)  
ALL PADS ARE FINISHED ON BOTH SIDES

**BOLTED ALUMINUM**

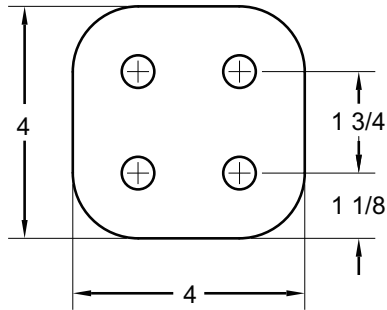
**SUBSTATION PRODUCTS**



**TYPE ABNC**

**BOLTED TERMINAL  
PIPE TO FLAT  
CENTER FORMED**

**3" 4-HOLE NEMA FLAT**



**4" 4-HOLE NEMA FLAT**

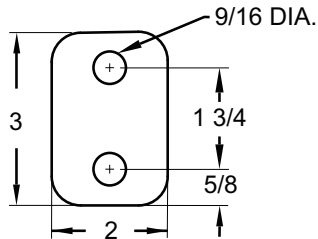
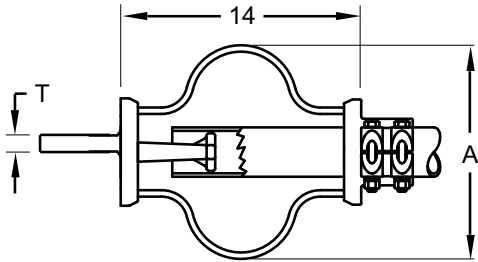
HOMAC CATALOG NUMBER	SPS	A	B	T	AMPS
<b>3" 4-HOLE NEMA FLAT</b>					
ABNC-J-4N	2	7 7/16	3	5/8	1155
ABNC-K-4N	2 1/2	7 1/2			1550
ABNC-L-4N	3	8	3 3/4	3/4	1895
ABNC-M-4N	3 1/2	9 1/2	4 1/4	7/8	2170
ABNC-P-4N	4	9 5/8			2460
ABNC-R-4N	5	11 3/8	6 1/2	1	3080
ABNC-S-4N	6	12		1 1/4	3735
<b>4" 4-HOLE NEMA FLAT</b>					
ABNC-F-4NN	1	7 5/8	3	1/2	1155
ABNC-G-4NN	1 1/4	8 1/8		5/8	1550
ABNC-H-4NN	1 1/2	8 1/4			1895
ABNC-J-4NN	2	7 3/4		1155	
ABNC-K-4NN	2 1/2	8	3 3/4	3/4	1550
ABNC-L-4NN	3	9 3/8		1895	
ABNC-M-4NN	3 1/2	10 1/2	4 1/4	13/16	2170
ABNC-P-4NN	4	10 1/4		7/8	2460
ABNC-R-4NN	5	11 3/8	6 1/2	1	3080
ABNC-S-4NN	6	12		1 1/4	3735

OTHER SIZES AVAILABLE, CONSULT THE FACTORY  
CONNECTORS SUPPLIED WITH CLAMPING HARDWARE IN ACCORDANCE WITH NEMA STANDARD (CC 1)  
ALL PADS ARE FINISHED ON BOTH SIDES

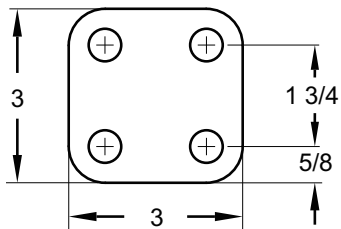
**BOLTED ALUMINUM**

**TYPE ABEPC**

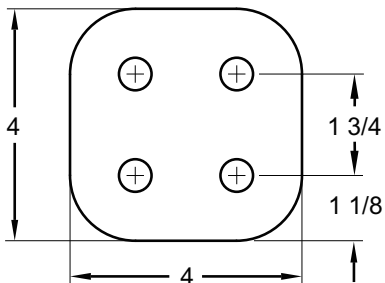
**BOLTED EXPANSION TERMINAL  
PIPE TO FLAT  
CENTER FORMED**



**2-HOLE NEMA FLAT**



**3" 4-HOLE NEMA FLAT**



**4" 4-HOLE NEMA FLAT**

HOMAC CATALOG NUMBER	SPS	A	T	AMPS
<b>2-HOLE NEMA FLAT</b>				
ABEPC-H-2N	1 1/2	14	3/4	600
ABEPC-J-2N	2			
ABEPC-K-2N	2 1/2	16		
ABEPC-L-2N	3	17		
ABEPC-M-2N	3 1/2	18		
ABEPC-P-2N	4	20		
ABEPC-R-2N	5			
ABEPC-S-2N	6			
<b>3" 4-HOLE NEMA FLAT</b>				
ABEPC-H-4N	1 1/2	14	1	930
ABEPC-J-4N	2			1155
ABEPC-K-4N	2 1/2	16		1550
ABEPC-L-4N	3	17		1895
ABEPC-M-4N	3 1/2	18	2000	2000
ABEPC-P-4N	4			
ABEPC-R-4N	5	20		
ABEPC-S-4N	6			
<b>4" 4-HOLE NEMA FLAT</b>				
ABEPC-H-4NN	1 1/2	14	1	930
ABEPC-J-4NN	2			1155
ABEPC-K-4NN	2 1/2	16		1550
ABEPC-L-4NN	3	17		1895
ABEPC-M-4NN	3 1/2	18	2000	2000
ABEPC-P-4NN	4			
ABEPC-R-4NN	5	20		
ABEPC-S-4NN	6			

OTHER SIZES AVAILABLE, CONSULT THE FACTORY

FOR SCHED. 80 PIPE ADD "H" TO CATALOG NUMBER: E.G. "ABEPC-H-R-4NN"

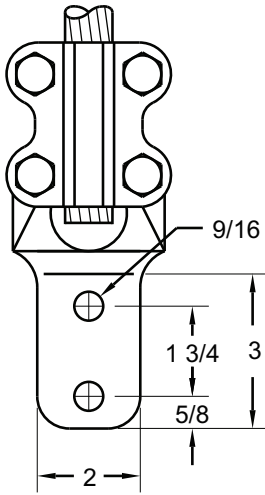
USE CHART GA-735 FOR INSTALLATION SEE GENERAL REFERENCE PAGE 24

CONNECTORS SUPPLIED WITH CLAMPING HARDWARE IN ACCORDANCE WITH NEMA STANDARD (CC 1)

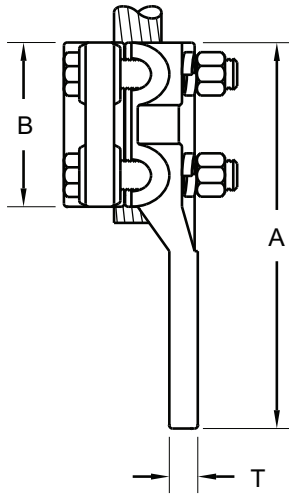
FOR 90° PAD ADD SUFFIX "90" TO CATALOG NUMBER E.G. "ABEPC-H-R-4NN90"

ALL PADS ARE FINISHED ON BOTH SIDES

**BOLTED ALUMINUM**

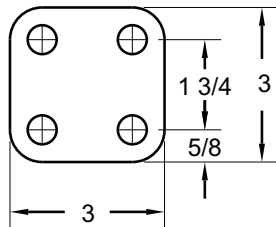


2-HOLE NEMA FLAT

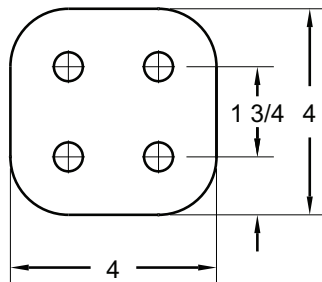


**TYPE A7M**

**BOLTED TERMINAL  
CABLE TO FLAT**



3" 4-HOLE NEMA FLAT



4" 4-HOLE NEMA FLAT

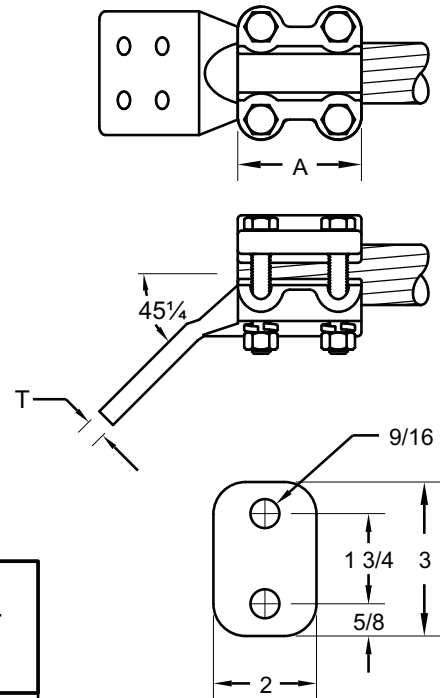
HOMAC CATALOG NUMBER	CABLE SIZE		CABLE DIAMETER MIN.-MAX.	A	B	T
	AAC	ACSR				
<b>2-HOLE NEMA FLAT</b>						
A7M-25-2N	#4 - 250	#4 - 4/0	.232 - .575	7	3	9/16
A7M-40-2N	1/0 - 400	1/0 - 336	.368 - .741			
A7M-100-2N	250 - 1000	300 - 795	.567 - 1.150	7 1/4	3 1/4	
A7M-150-2N	556 - 1500	636 - 1272	.856 - 1.412	7 5/8	3 5/8	5/8
A7M-250-2N	1100 - 2500	1113 - 2300	1.209 - 1.823	8	4	3/4
<b>3" 4-HOLE NEMA FLAT</b>						
A7M-25-4N	#4 - 250	#4 - 4/0	.232 - .575	7	3	9/16
A7M-40-4N	1/0 - 400	1/0 - 336	.368 - .741			
A7M-100-4N	250 - 1000	300 - 795	.567 - 1.150	7 1/4	3 1/4	
A7M-150-4N	556 - 1500	636 - 1272	.856 - 1.412	7 5/8	3 5/8	5/8
A7M-250-4N	1100 - 2500	1113 - 2300	1.209 - 1.823	8	4	
<b>4" 4-HOLE NEMA FLAT</b>						
A7M-40-4NN	1/0 - 400	1/0 - 336	.368 - .741	7 3/4	3	9/16
A7M-100-4NN	250 - 1000	300 - 795	.567 - 1.150	8 1/4	3 1/4	5/8
A7M-150-4NN	556 - 1500	636 - 1272	.856 - 1.412	8 5/8	3 5/8	
A7M-250-4NN	1100 - 2500	1113 - 2300	1.209 - 1.823	9 1/4	4	
A7M-300-4NN	800 - 3000	795 - 2500	1.030 - 1.996	9 5/16	4 1/16	1

CONNECTORS SUPPLIED WITH CLAMPING HARDWARE IN ACCORDANCE WITH NEMA STANDARD (CC 1)  
ALL PADS ARE FINISHED ON BOTH SIDES.

**BOLTED ALUMINUM**

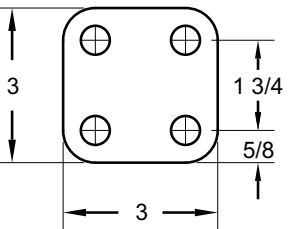
## TYPE A7M-45

BOLTED TERMINAL  
CABLE TO FLAT AT 45¼

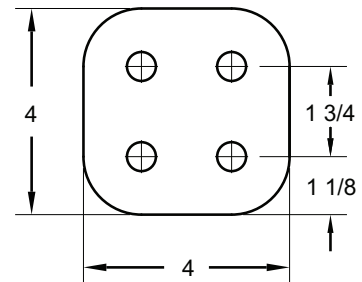


HOMAC CATALOG NUMBER	CABLE SIZE		CABLE DIAMETER MIN.-MAX.	A	T
	AAC	ACSR			
<b>2-HOLE NEMA FLAT</b>					
A7M-25-2N45	#4 - 250	#4 - 4/0	.232 - .575	3	9/16
A7M-40-2N45	1/0 - 400	1/0 - 336	.368 - .741		
A7M-100-2N45	250 - 1000	300 - 795	.567 - 1.150	3 1/4	5/8
A7M-150-2N45	556 - 1500	636 - 1272	.856 - 1.412	3 5/8	5/8
A7M-250-2N45	1100 - 2500	1113 - 2300	1.209 - 1.823	4	3/4
<b>3" 4-HOLE NEMA FLAT</b>					
A7M-25-4N45	#4 - 250	#4 - 4/0	.232 - .575	3	9/16
A7M-40-4N45	1/0 - 400	1/0 - 336	.368 - .741		
A7M-100-4N45	250 - 1000	300 - 795	.567 - 1.150	3 1/4	5/8
A7M-150-4N45	556 - 1500	636 - 1272	.856 - 1.412	3 5/8	
A7M-250-4N45	1100 - 2500	1113 - 2300	1.209 - 1.823	4	5/8
<b>4" 4-HOLE NEMA FLAT</b>					
A7M-40-4NN45	1/0 - 400	1/0 - 336	.368 - .741	3	9/16
A7M-100-4NN45	250 - 1000	300 - 795	.567 - 1.150	3 1/4	
A7M-150-4NN45	556 - 1500	636 - 1272	.856 - 1.412	3 5/8	5/8
A7M-250-4NN45	1100 - 2500	1113 - 2300	1.209 - 1.823	4	

2-HOLE NEMA FLAT



3" 4-HOLE NEMA FLAT



4" 4-HOLE NEMA FLAT

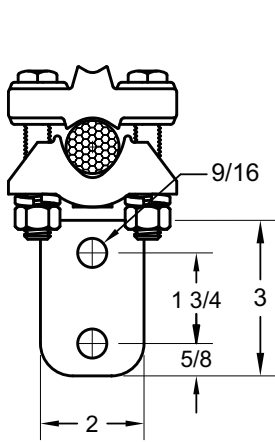
CONNECTORS SUPPLIED WITH CLAMPING HARDWARE IN ACCORDANCE WITH NEMA STANDARD (CC 1)  
ALL PADS ARE FINISHED ON BOTH SIDES

**BOLTED ALUMINUM**

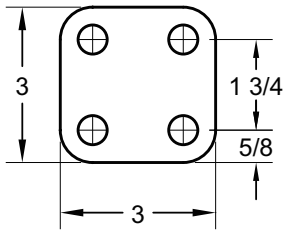
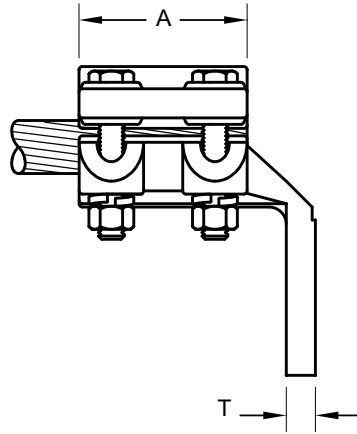
**SUBSTATION PRODUCTS**

**TYPE A7M-90**

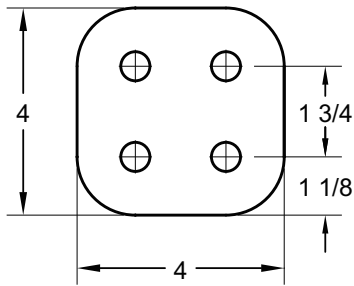
**BOLTED TERMINAL  
CABLE TO FLAT AT 90°**



2-HOLE NEMA FLAT



3" 4-HOLE NEMA FLAT



4" 4-HOLE NEMA FLAT

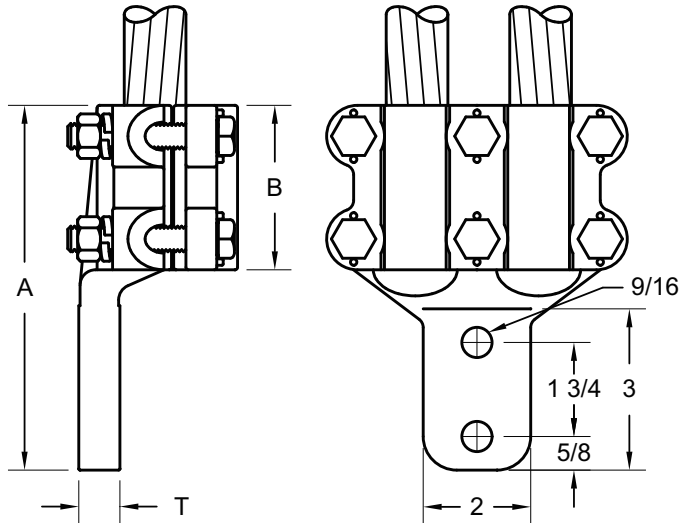
HOMAC CATALOG NUMBER	CABLE SIZE		CABLE DIAMETER MIN.-MAX.	A	T
	AAC	ACSR			
<b>2-HOLE NEMA FLAT</b>					
A7M-25-2N90	#4 - 250	#4 - 4/0	.232 - .575	3	9/16
A7M-40-2N90	1/0 - 400	1/0 - 336	.368 - .741		
A7M-100-2N90	250 - 1000	300 - 795	.567 - 1.150	3 1/4	5/8
A7M-150-2N90	556 - 1500	636 - 1272	.856 - 1.412	3 5/8	
A7M-250-2N90	1100 - 2500	1113 - 2300	1.209 - 1.823	4	3/4
<b>3" 4-HOLE NEMA FLAT</b>					
A7M-25-4N90	#4 - 250	#4 - 4/0	.232 - .575	3	9/16
A7M-40-4N90	1/0 - 400	1/0 - 336	.368 - .741		
A7M-100-4N90	250 - 1000	300 - 795	.567 - 1.150	3 1/4	5/8
A7M-150-4N90	556 - 1500	636 - 1272	.856 - 1.412	3 5/8	
A7M-250-4N90	1100 - 2500	1113 - 2300	1.209 - 1.823	4	
<b>4" 4-HOLE NEMA FLAT</b>					
A7M-40-4NN90	1/0 - 400	1/0 - 336	.368 - .741	3	9/16
A7M-100-4NN90	250 - 1000	300 - 795	.567 - 1.150	3 1/4	5/8
A7M-150-4NN90	556 - 1500	636 - 1272	.856 - 1.412	3 5/8	
A7M-250-4NN90	1100 - 2500	1113 - 2300	1.209 - 1.823	4	
A7M-300-4NN90	800 - 3000	795 - 2500	1.030 - 1.996	4 1/16	1

CONNECTORS SUPPLIED WITH CLAMPING HARDWARE IN ACCORDANCE WITH NEMA STANDARD (CC 1)  
ALL PADS ARE FINISHED ON BOTH SIDES

**BOLTED ALUMINUM**

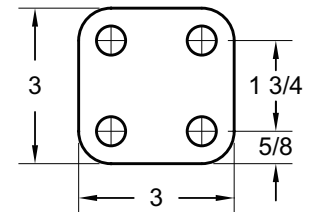
## TYPE A7MM1

BOLTED TERMINAL  
(2) CABLES TO FLAT  
(1) CAP DESIGN

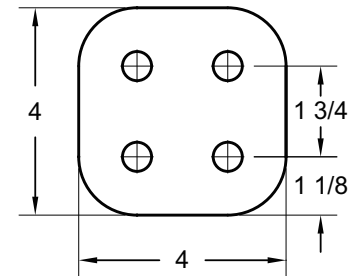


2-HOLE NEMA FLAT

HOMAC CATALOG NUMBER	CABLE SIZE		CABLE DIAMETER MIN.-MAX.	A	B	T
	AAC	ACSR				
<b>2-HOLE NEMA FLAT</b>						
A7MM1-25-2N	#4 - 250	#4 - 4/0	.232 - .575	6 5/8	3	1/2
A7MM1-40-2N	1/0 - 400	1/0 - 336	.368 - .741			
A7MM1-100-2N	250 - 1000	300 - 795	.567 - 1.150	6 7/8	3 1/4	3/4
A7MM1-150-2N	600 - 1500	636 - 1272	.891 - 1.412	7 1/4	3 5/8	1
A7MM1-250-2N	1100 - 2500	1133 - 2300	1.209 - 1.823	7 5/8	4	1 1/4
<b>3" 4-HOLE NEMA FLAT</b>						
A7MM1-25-4N	#4 - 250	#4 - 4/0	.232 - .575	6 5/8	3	1/2
A7MM1-40-4N	1/0 - 400	1/0 - 336	.368 - .741			
A7MM1-100-4N	250 - 1000	300 - 795	.567 - 1.150	6 7/8	3 1/4	
A7MM1-150-4N	600 - 1500	636 - 1272	.891 - 1.412	7 1/4	3 5/8	7/8
A7MM1-250-4N	1100 - 2500	1133 - 2300	1.209 - 1.823	7 5/8	4	1
<b>4" 4-HOLE NEMA FLAT</b>						
A7MM1-40-4NN	1/0 - 400	1/0 - 336	.368 - .741	7 7/8	3	1/2
A7MM1-100-4NN	250 - 1000	300 - 795	.567 - 1.150	8 1/8	3 1/4	
A7MM1-150-4NN	600 - 1500	636 - 1272	.891 - 1.412	8 1/2	3 5/8	7/8
A7MM1-250-4NN	1100 - 2500	1133 - 2300	1.209 - 1.823	8 7/8	4	



3" 4-HOLE NEMA FLAT



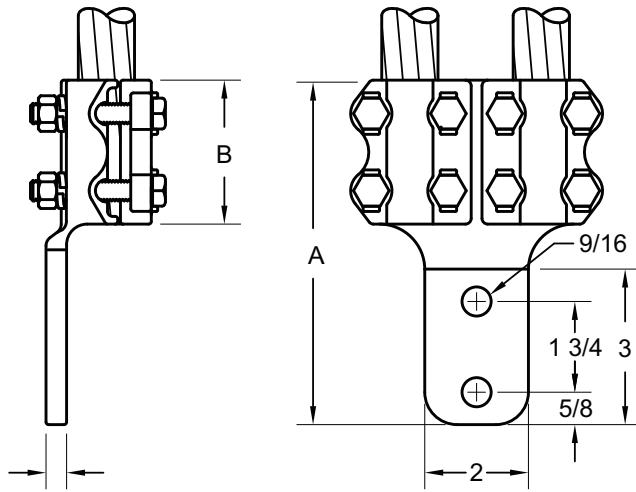
4" 4-HOLE NEMA FLAT

CONNECTORS SUPPLIED WITH CLAMPING HARDWARE IN ACCORDANCE WITH NEMA STANDARD (CC 1)  
OTHER SIZES AVAILABLE, CONSULT THE FACTORY  
ALL PADS ARE FINISHED ON BOTH SIDES.

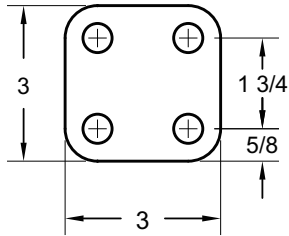


**TYPE A7MM**

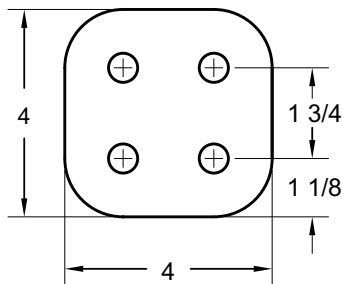
**BOLTED TERMINAL  
(2) CABLES TO FLAT  
(2) CAP DESIGN**



**2-HOLE NEMA FLAT**



**3" 4-HOLE NEMA FLAT**



**4" 4-HOLE NEMA FLAT**

HOMAC CATALOG NUMBER	CABLE SIZE		CABLE DIAMETER MIN.-MAX.	A	B	T
	AAC	ACSR				
<b>2-HOLE NEMA FLAT</b>						
A7MM-60-2N	350 - 600	336.4 - 477	.679 - .893	7 3/16	3 3/16	1/2
A7MM-90-2N	600 - 900	556.5 - 715.5	.879 - 1.094	7 1/4	3 1/2	
<b>3" 4-HOLE NEMA FLAT</b>						
A7MM-60-4N	350 - 600	336.4 - 477	.679 - .893	7 3/16	3 3/16	1/2
A7MM-90-4N	600 - 900	556.5 - 715.5	.879 - 1.094	7 1/4	3 1/2	
A7MM-125-4N	900 - 1250	715.5 - 1113	1.036 - 1.293	7 1/2	4 1/4	3/4
A7MM-160-4N	1250-1600	1113-1272	1.259 - 1.454	8 1/8		
A7MM-200-4N	1500-2000	1272-1590	1.345 - 1.630		4 1/2	
<b>4" 4-HOLE NEMA FLAT</b>						
A7MM-125-4NN	900 - 1250	715.5 - 1113	1.036 - 1.293	8 1/8	3 9/16	1/2
A7MM-160-4NN	1250-1600	1113-1272	1.259 - 1.454	8 5/8	4 1/4	9/16
A7MM-200-4NN	1500-2000	1272-1590	1.349 - 1.630	9 1/8	4 1/2	3/4
A7MM-250-4NN	1800 - 2500	-	1.548 - 1.823	10	5 1/4	

CONNECTORS SUPPLIED WITH CLAMPING HARDWARE IN ACCORDANCE WITH NEMA STANDARD (CC 1)

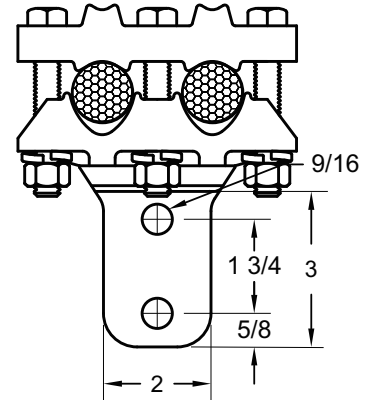
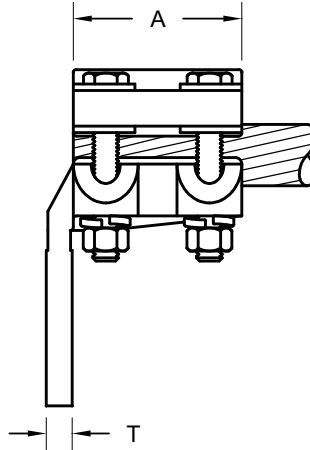
OTHER SIZES AVAILABLE, CONSULT THE FACTORY

ALL PADS ARE FINISHED ON BOTH SIDES.

**BOLTED ALUMINUM**

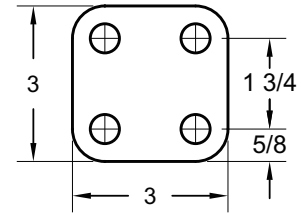
**TYPE A7MM1-90**

**BOLTED TERMINAL  
(2) CABLES TO FLAT AT 90°  
(1) CAP DESIGN**

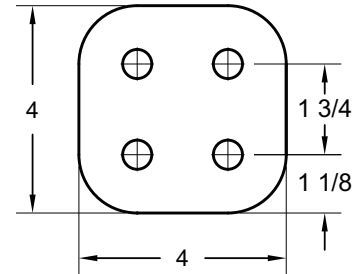


2-HOLE NEMA FLAT

HOMAC CATALOG NUMBER	CABLE SIZE		CABLE DIAMETER MIN.-MAX.	A	T
	AAC	ACSR			
<b>2-HOLE NEMA FLAT</b>					
A7MM1-25-2N90	#4 - 250	#4 - 4/0	.232 - .575	3	1/2
A7MM1-40-2N90	1/0 - 400	1/0 - 336	.368 - .741		
A7MM1-100-2N90	250 - 1000	300 - 795	.567 - 1.150	3 1/4	3/4
A7MM1-150-2N90	556 - 1500	636 - 1272	.856 - 1.412	3 5/8	1
A7MM1-250-2N90	1100 - 2500	1133 - 2300	1.209 - 1.823	4	1 1/4
<b>3" 4-HOLE NEMA FLAT</b>					
A7MM1-25-4N90	#4 - 250	#4 - 4/0	.232 - .575	3	1/2
A7MM1-40-4N90	1/0 - 400	1/0 - 336	.368 - .741		
A7MM1-100-4N90	250 - 1000	300 - 795	.567 - 1.150	3 1/4	7/8
A7MM1-150-4N90	556 - 1500	636 - 1272	.856 - 1.412	3 5/8	
A7MM1-250-4N90	1100 - 2500	1133 - 2300	1.209 - 1.823	4	1
<b>4" 4-HOLE NEMA FLAT</b>					
A7MM1-40-4NN90	1/0 - 400	1/0 - 336	.368 - .741	3	1/2
A7MM1-100-4NN90	250 - 1000	300 - 795	.567 - 1.150	3 1/4	
A7MM1-150-4NN90	556 - 1500	636 - 1272	.856 - 1.412	3 5/8	7/8
A7MM1-250-4NN90	1100 - 2500	1133 - 2300	1.209 - 1.823	4	



3" 4-HOLE NEMA FLAT

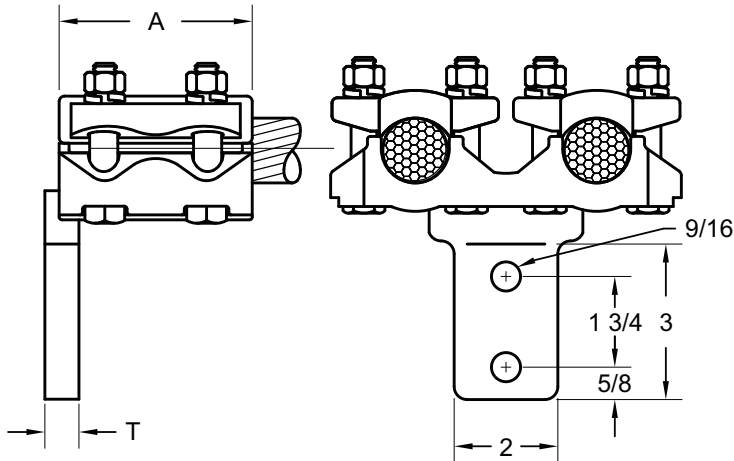


4" 4-HOLE NEMA FLAT

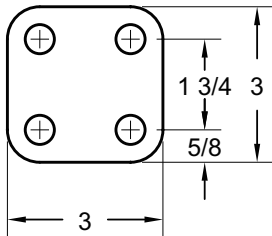
OTHER SIZES AVAILABLE, CONSULT THE FACTORY  
CONNECTORS SUPPLIED WITH CLAMPING HARDWARE IN ACCORDANCE WITH NEMA STANDARD (CC 1)  
ALL PADS ARE FINISHED ON BOTH SIDES

**TYPE A7MM-90**

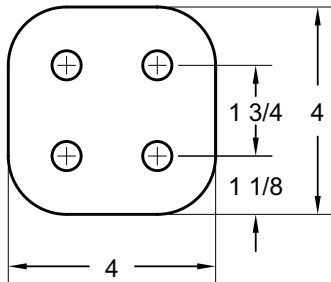
**BOLTED TERMINAL  
(2) CABLES TO FLAT AT 90°  
(2) CAP DESIGN**



2-HOLE NEMA FLAT



3" 4-HOLE NEMA FLAT



4" 4-HOLE NEMA FLAT

HOMAC CATALOG NUMBER	CABLE SIZE		CABLE DIAMETER MIN.-MAX.	A	T
	AAC	ACSR			
<b>2-HOLE NEMA FLAT</b>					
A7MM-60-2N90	350 - 600	336.4 - 477	.679 - .893	3 3/16	1/2
A7MM-90-2N90	600 - 900	556.5 - 715.5	.879 - 1.094	3 1/2	
<b>3" 4-HOLE NEMA FLAT</b>					
A7MM-60-4N90	350 - 600	336.4 - 477	.679 - .893	3 3/16	1/2
A7MM-90-4N90	600 - 900	556.5 - 715.5	.879 - 1.094	3 1/2	
A7MM-125-4N90	900 - 1250	715.5 - 1113	1.036 - 1.293	4 1/4	3/4
A7MM-160-4N90	1250 - 1600	1113 - 1272	1.259 - 1.454		
A7MM-200-4N90	1500 - 2000	1272 - 1590	1.345 - 1.630	4 1/2	
<b>4" 4-HOLE NEMA FLAT</b>					
A7MM-125-4NN90	900 - 1250	715.5 - 1113	1.036 - 1.293	3 9/16	1/2
A7MM-160-4NN90	1250 - 1600	1113 - 1272	1.259 - 1.454	4 1/4	9/16
A7MM-200-4NN90	1500 - 2000	1272 - 1590	1.345 - 1.630	4 1/2	3/4
A7MM-250-4NN90	1800 - 2500	1113 - 2300	1.548 - 1.823	5 1/4	

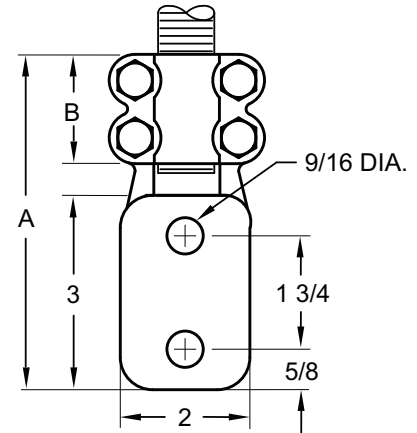
CONNECTORS SUPPLIED WITH CLAMPING HARDWARE IN ACCORDANCE WITH NEMA STANDARD (CC 1)  
OTHER SIZES AVAILABLE, CONSULT THE FACTORY  
ALL PADS ARE FINISHED ON BOTH SIDES

**BOLTED ALUMINUM**

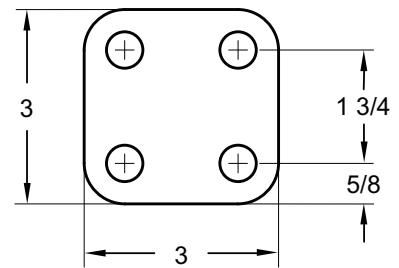
**BOLTED STUD  
STUD TO FLAT**

**TYPE AVIE**

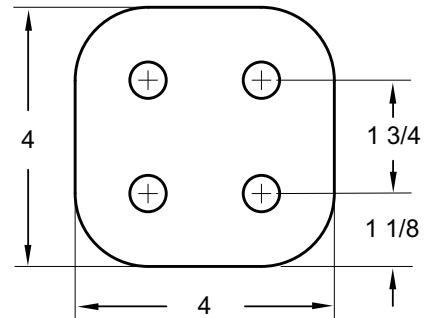
HOMAC CATALOG NUMBER	STUD SIZE	A	B	PAD TKS.
<b>2-HOLE NEMA FLAT</b>				
AVIE-6-2N	1 1/8-12	6 7/8	2 3/8	9/16
AVIE-8-2N	1 1/4-12			5/8
AVIE-10-2N	1 1/2-12			3/4
AVIE-11B-2N	1 3/4-12		2 1/2	3/4
AVIE-13-2N	2-12			
<b>3" 4-HOLE NEMA FIAT</b>				
AVIE-6-4N	1 1/8-12	6 7/8	2 3/8	9/16
AVIE-8-4N	1 1/4-12			5/8
AVIE-10-4N	1 1/2-12			2 1/2
AVIE-11B-4N	1 3/4-12			
AVIE-13-4N	2-12		7 1/4	3
AVIE-13A-4N	2 1/4-12			
AVIE-13B-4N	2 1/2-12			
AVIE-15-4N	3-12	3 1/8		1 1/4
AVIE-15A-4N	3 1/2-12			
AVIE-16-4N	4-12			
<b>4" 4-HOLE NEMA FIAT</b>				
AVIE-6-4NN	1 1/8-12	8	2 3/8	9/16
AVIE-8-4NN	1 1/4-12			5/8
AVIE-10-4NN	1 1/2-12			2 1/2
AVIE-11B-4NN	1 3/4-12			
AVIE-13-4NN	2-12		8 7/16	3
AVIE-13A-4NN	2 1/4-12			
AVIE-13B-4NN	2 1/2-12			
AVIE-15-4NN	3-12	3 1/8		1 1/4
AVIE-15A-4NN	3 1/2-12			
AVIE-16-4NN	4-12			



**2-HOLE NEMA FLAT**



**3" 4-HOLE NEMA FLAT**



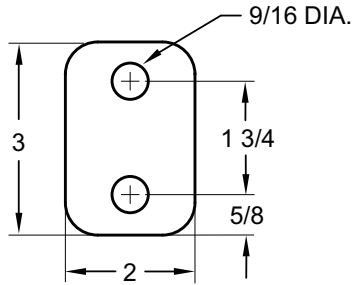
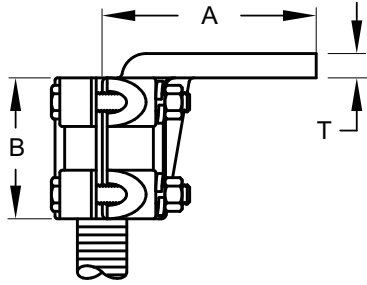
**4" 4-HOLE NEMA FLAT**

CONNECTORS SUPPLIED WITH CLAMPING HARDWARE IN ACCORDANCE WITH NEMA STANDARD (CC 1)  
ALL PADS ARE FINISHED ON BOTH SIDES

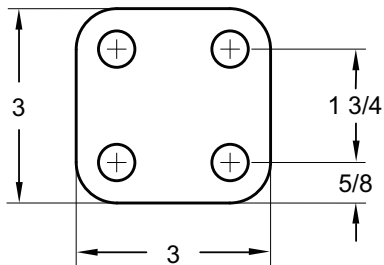
**BOLTED ALUMINUM**

**BOLTED STUD  
STUD TO FLAT AT 90°**

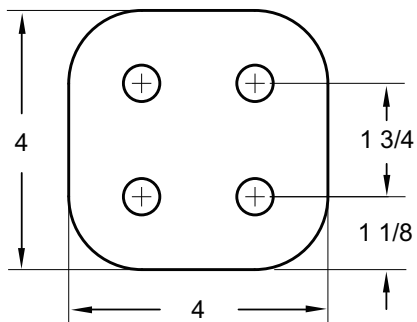
**TYPE AVIE-90**



**2-HOLE NEMA FLAT**



**3" 4-HOLE NEMA FLAT**



**4" 4-HOLE NEMA FLAT**

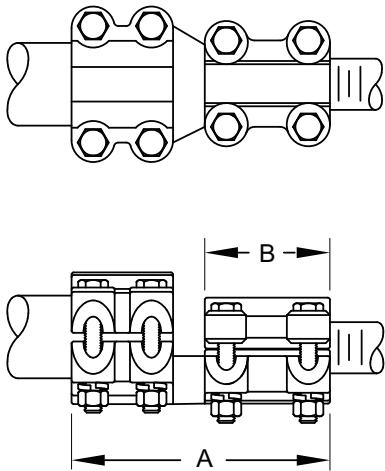
HOMAC CATALOG NUMBER	STUD SIZE	A	B	T
<b>2-HOLE NEMA FLAT</b>				
AVIE-6-2N90	1 1/8-12	5 1/4	2 3/8	9/16
AVIE-8-2N90	1 1/4-12			5/8
AVIE-10-2N90	1 1/2-12		2 1/2	3/4
AVIE-11B-2N90	1 3/4-12			
AVIE-13-2N90	2-12			
<b>3" 4-HOLE NEMA FLAT</b>				
AVIE-6-4N90	1 1/8-12	5 1/4	2 3/8	9/16
AVIE-8-4N90	1 1/4-12			5/8
AVIE-10-4N90	1 1/2-12		2 1/2	1
AVIE-11B-4N90	1 3/4-12			
AVIE-13-4N90	2-12			
AVIE-13A-4N90	2 1/4-12	5 1/2	3	1
AVIE-13B-4N90	2 1/2-12	5 3/4		
AVIE-15-4N90	3-12	6	3 1/8	1 1/4
AVIE-15A-4N90	3 1/2-12	6 1/4		
AVIE-16-4N90	4-12	6 3/4		
<b>4" 4-HOLE NEMA FLAT</b>				
AVIE-6-4NN90	1 1/8-12	6 1/4	2 3/8	9/16
AVIE-8-4NN90	1 1/4-12			5/8
AVIE-10-4NN90	1 1/2-12		2 1/2	3/4
AVIE-11B-4NN90	1 3/4-12			
AVIE-13-4NN90	2-12			
AVIE-13A-4NN90	2 1/4-12	6 1/2	3	1
AVIE-13B-4NN90	2 1/2-12	6 3/4		
AVIE-15-4NN90	3-12	7	3 1/8	1 1/4
AVIE-15A-4NN90	3 1/2-12	7 1/4		
AVIE-16-4NN90	4-12	7 3/4		

CONNECTORS SUPPLIED WITH CLAMPING HARDWARE IN ACCORDANCE WITH NEMA STANDARD (CC 1)  
ALL PADS ARE FINISHED ON BOTH SIDES

## TYPE AVIC

BOLTED STUD CONNECTOR  
STUD TO PIPE  
VERTICAL TAKE-OFF

**BOLTED ALUMINUM**



HOMAC CATALOG NUMBER	STUD SIZE	SPS	A	B
AVIC-6-E	1 1/8-12	3/4	5 3/4	3
AVIC-6-F		1		
AVIC-6-G		1 1/4		
AVIC-6-H		1 1/2		
AVIC-6-J	2			
AVIC-8-E	1 1/4-12	3/4		
AVIC-8-F		1		
AVIC-8-G		1 1/4		
AVIC-8-H		1 1/2		
AVIC-8-J	2			
AVIC-10-E	1 1/2-12	3/4		
AVIC-10-F		1		
AVIC-10-G		1 1/4		
AVIC-10-H		1 1/2		
AVIC-10-J		2		
AVIC-10-K		2 1/2		
AVIC-10-L	3	7	3 3/4	
AVIC-11B-E	1 3/4-12	3/4	5 3/4	3
AVIC-11B-F		1		
AVIC-11B-G		1 1/4		
AVIC-11B-H		1 1/2		
AVIC-11B-J		2		
AVIC-11B-K		2 1/2		
AVIC-11B-L	3	7 1/4	3 3/4	
AVIC-13-E	2-12	3/4	5 3/4	3
AVIC-13-F		1		
AVIC-13-G		1 1/4		
AVIC-13-H		1 1/2		
AVIC-13-J		2		
AVIC-13-K		2 1/2		
AVIC-13-L	3	7 7/16	3 3/4	

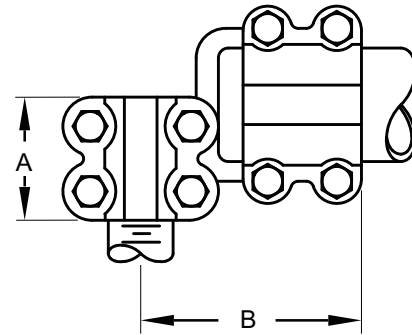
OTHER SIZES AVAILABLE, CONSULT THE FACTORY

CONNECTORS SUPPLIED WITH CLAMPING HARDWARE IN ACCORDANCE WITH NEMA STANDARD (CC 1)

## TYPE AVIC-90

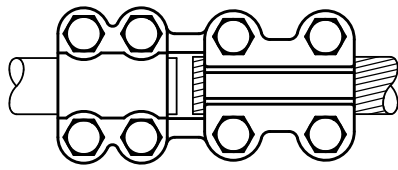
BOLTED STUD  
STUD TO PIPE AT 90°

HOMAC CATALOG NUMBER	STUD SIZE	SPS	A	B	
AVIC-6-E90	1 1/8-12	3/4	2 3/8	5	
AVIC-6-F90		1			
AVIC-6-G90		1 1/4			
AVIC-6-H90		1 1/2			
AVIC-6-J90		2			
AVIC-8-E90	1 1/4-12	3/4		2 3/8	5 1/4
AVIC-8-F90		1			
AVIC-8-G90		1 1/4			
AVIC-8-H90		1 1/2			
AVIC-8-J90		2			
AVIC-10-E90	1 1/2-12	3/4	2 3/8		5 1/2
AVIC-10-F90		1			
AVIC-10-G90		1 1/4			
AVIC-10-H90		1 1/2			
AVIC-10-J90		2			
AVIC-10-K90		2 1/2			
AVIC-10-L90	3	2 1/2		5 3/4	
AVIC-11B-E90	3/4				
AVIC-11B-F90	1				
AVIC-11B-G90	1 1/4				
AVIC-11B-H90	1 1/2				
AVIC-11B-J90	2				
AVIC-11B-K90	2 1/2				
AVIC-11B-L90	3		2 1/2	6	
AVIC-13-E90	2-12				3/4
AVIC-13-F90					1
AVIC-13-G90		1 1/4			
AVIC-13-H90		1 1/2			
AVIC-13-J90		2			
AVIC-13-K90		2 1/2			
AVIC-13-L90		3	7		



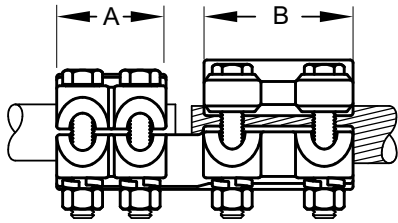
**BOLTED ALUMINUM**

OTHER SIZES AVAILABLE, CONSULT THE FACTORY  
CONNECTORS SUPPLIED WITH CLAMPING HARDWARE IN ACCORDANCE WITH NEMA STANDARD (CC 1)



**TYPE AVID**

**BOLTED STUD  
STUD TO CABLE**



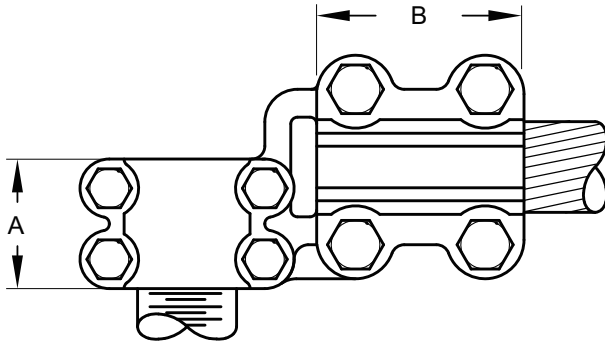
**BOLTED ALUMINUM**

HOMAC CATALOG NUMBER	STUD SIZE	CABLE SIZE		CABLE DIAMETER MIN.-MAX.	A	B	
		AAC	ACSR				
AVID-6-25	1 1/8-12	#4 - 250	#4 - 4/0	.232 - .575	2 3/8	3	
AVID-6-40		1/0 - 400	1/0 - 336	.368 - .741			
AVID-6-100		250 - 1000	300 - 795	.567 - 1.150			
AVID-6-150		556 - 1500	636 - 1272	.856 - 1.412			
AVID-6-250		1100 - 2500	1113 - 2300	1.209 - 1.823			
AVID-8-25	1 1/4-12	#4 - 250	#4 - 4/0	.232 - .575		2 3/8	3
AVID-8-40		1/0 - 400	1/0 - 336	.368 - .741			
AVID-8-100		250 - 1000	300 - 795	.567 - 1.150			
AVID-8-150		556 - 1500	636 - 1272	.856 - 1.412			
AVID-8-250		1100 - 2500	1113 - 2300	1.209 - 1.823			
AVID-10-25	1 1/2-12	#4 - 250	#4 - 4/0	.232 - .575	2 3/8		3
AVID-10-40		1/0 - 400	1/0 - 336	.368 - .741			
AVID-10-100		250 - 1000	300 - 795	.567 - 1.150			
AVID-10-150		556 - 1500	636 - 1272	.856 - 1.412			
AVID-10-250		1100 - 2500	1113 - 2300	1.209 - 1.823			
AVID-11B-25	1 3/4-12	#4 - 250	#4 - 4/0	.232 - .575		2 1/2	3
AVID-11B-40		1/0 - 400	1/0 - 336	.368 - .741			
AVID-11B-100		250 - 1000	300 - 795	.567 - 1.150			
AVID-11B-150		556 - 1500	636 - 1272	.856 - 1.412			
AVID-11B-250		1100 - 2500	1113 - 2300	1.209 - 1.823			
AVID-13-25	2-12	#4 - 250	#4 - 4/0	.232 - .575	2 1/2		3
AVID-13-40		1/0 - 400	1/0 - 336	.368 - .741			
AVID-13-100		250 - 1000	300 - 795	.567 - 1.150			
AVID-13-150		556 - 1500	636 - 1272	.856 - 1.412			
AVID-13-250		1100 - 2500	1113 - 2300	1.209 - 1.823			

CONNECTORS SUPPLIED WITH CLAMPING HARDWARE IN ACCORDANCE WITH NEMA STANDARD (CC 1)



**TYPE AVID-90**



**BOLTED STUD  
STUD TO CABLE AT 90°**

**BOLTED ALUMINUM**

HOMAC CATALOG NUMBER	STUD SIZE	CABLE SIZE		CABLE DIAMETER MIN.-MAX.	A	B	
		AAC	ACSR				
AVID-6-25-90	1 1/8-12	#4 - 250	#4 - 4/0	.232 - .575	2 3/8	3	
AVID-6-40-90		1/0 - 400	1/0 - 336	.368 - .741			
AVID-6-100-90		250 - 1000	300 - 795	.567 - 1.150			
AVID-6-150-90		556 - 1500	636 - 1272	.856 - 1.412			
AVID-6-250-90		1100 - 2500	1113 - 2300	1.209 - 1.823			
AVID-8-25-90	1 1/4-12	#4 - 250	#4 - 4/0	.232 - .575		2 3/8	3
AVID-8-40-90		1/0 - 400	1/0 - 336	.368 - .741			
AVID-8-100-90		250 - 1000	300 - 795	.567 - 1.150			
AVID-8-150-90		556 - 1500	636 - 1272	.856 - 1.412			
AVID-8-250-90		1100 - 2500	1113 - 2300	1.209 - 1.823			
AVID-10-25-90	1 1/2-12	#4 - 250	#4 - 4/0	.232 - .575	2 3/8		3
AVID-10-40-90		1/0 - 400	1/0 - 336	.368 - .741			
AVID-10-100-90		250 - 1000	300-795	.567 - 1.150			
AVID-10-150-90		556 - 1500	636 - 1272	.856 - 1.412			
AVID-10-250-90		1100 - 2500	1113 - 2300	1.209 - 1.823			
AVID-11B-25-90	1 3/4-12	#4 - 250	#4 - 4/0	.232 - .575		2 1/2	3
AVID-11B-40-90		1/0 - 400	1/0 - 336	.368 - .741			
AVID-11B-100-90		250 - 1000	300 - 795	.567 - 1.150			
AVID-11B-150-90		556 - 1500	636 - 1272	.856 - 1.412			
AVID-11B-250-90		1100 - 2500	1113 - 2300	1.209 - 1.823			
AVID-13-25-90	2-12	#4 - 250	#4 - 4/0	.232 - .575	2 1/2		3
AVID-13-40-90		1/0 - 400	1/0 - 336	.368 - .741			
AVID-13-100-90		250 - 1000	300 - 795	.567 - 1.150			
AVID-13-150-90		556 - 1500	636 - 1272	.856 - 1.412			
AVID-13-250-90		1100 - 2500	1113 - 2300	1.209 - 1.823			

CONNECTORS SUPPLIED WITH CLAMPING HARDWARE IN ACCORDANCE WITH NEMA STANDARD (CC 1)

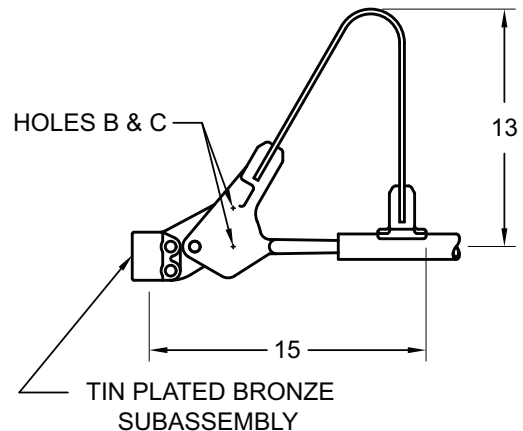
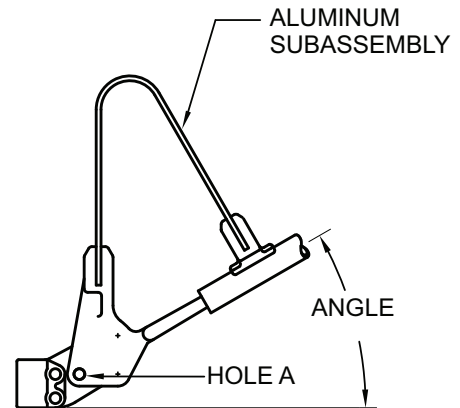
## TYPE WVLS12

### ADJUSTABLE ANGLE FLEXIBLE STUD ASSEMBLY STUD TO PIPE, WELDED

HOMAC CATALOG NUMBER	STUD SIZE	SPS	AMPS
WVLS12-5A-F	1-12	1	650
WVLS12-5A-G		1 1/4	810
WVLS12-5A-H		1 1/2	930
WVLS12-5A-J		2	1155
WVLS12-5A-K		2 1/2	1200
WVLS12-5A-L		3	
WVLS12-6-F	1 1/8-12	1	650
WVLS12-6-G		1 1/4	810
WVLS12-6-H		1 1/2	930
WVLS12-6-J		2	1155
WVLS12-6-K		2 1/2	1200
WVLS12-6-L		3	
WVLS12-8-F	1 1/4-12	1	650
WVLS12-8-G		1 1/4	810
WVLS12-8-H		1 1/2	930
WVLS12-8-J		2	1155
WVLS12-8-K		2 1/2	1200
WVLS12-8-L		3	
WVLS12-10-F	1 1/2-12	1	650
WVLS12-10-G		1 1/4	810
WVLS12-10-H		1 1/2	930
WVLS12-10-J		2	1155
WVLS12-10-K		2 1/2	1200
WVLS12-10-L		3	
WVLS12-11B-F	1 3/4-12	1	650
WVLS12-11B-G		1 1/4	810
WVLS12-11B-H		1 1/2	930
WVLS12-11B-J		2	1155
WVLS12-11B-K		2 1/2	1200
WVLS12-11B-L		3	
WVLS12-13-F	2-12	1	650
WVLS12-13-G		1 1/4	810
WVLS12-13-H		1 1/2	930
WVLS12-13-J		2	1155
WVLS12-13-K		2 1/2	1200
WVLS12-13-L		3	

THESE FLEXIBLE STUD CONNECTORS ARE DESIGNED TO BE VERTICALLY ADJUSTABLE WITHIN THE LIMITS 30° COUNTER CLOCKWISE AND 5° CLOCKWISE. THIS FEATURE WILL ACCOMMODATE THE OFF-VERTICAL ANGLE COMMON ON CIRCUIT BREAKER BUSHINGS. THE DESIGN ALSO DOES NOT DEGRADE PHASE SPACING.

THESE CONNECTORS CONSIST OF TWO SUBASSEMBLIES. THE TIN PLATED BRONZE STUD CONNECTOR AND THE ONE PIECE ALUMINUM SUBASSEMBLY. ALL HOLES EXIST IN THE STUD CONNECTOR. ONLY HOLE "A" EXISTS IN THE ALUMINUM PART. USING BOLT "A" AS A PIVOT POINT THE ANGLE IS DETERMINED AND HOLES "B" AND "C" ARE DRILLED TO FIT.



FOR SCHEDULE 80 PIPE ADD "H" TO CATALOG NUMBER: E.G. "WVLSH12-13-L"

**BOLTED ALUMINUM**

## TYPE WVLS20

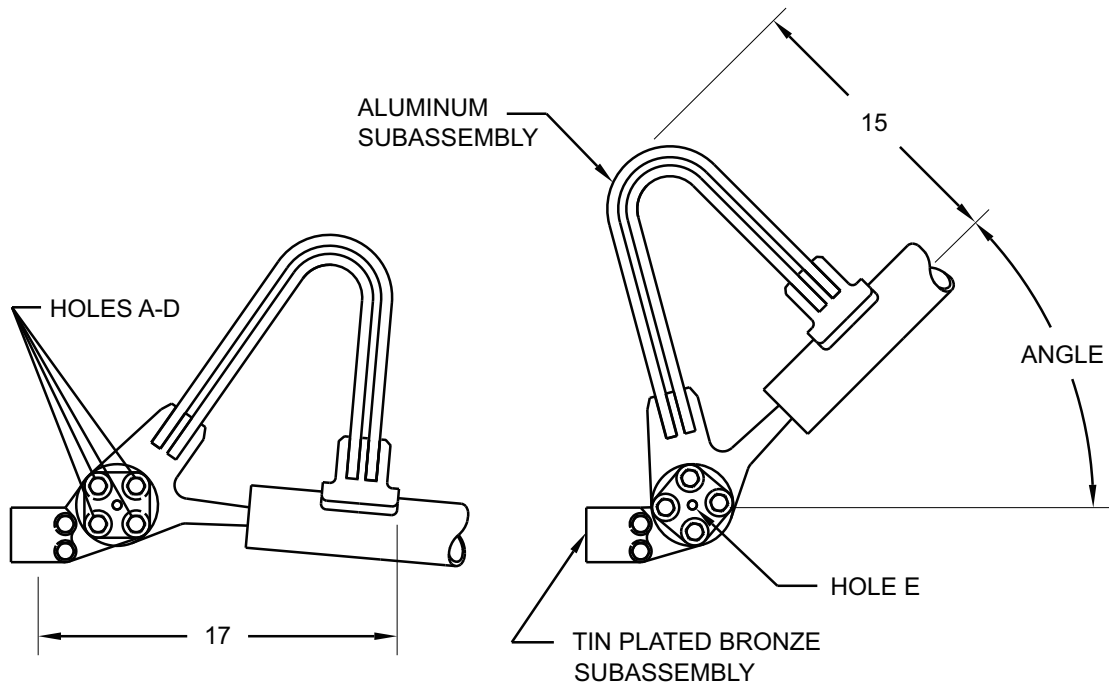
### ADJUSTABLE ANGLE FLEXIBLE STUD ASSEMBLY STUD TO PIPE, WELDED

HOMAC CATALOG NUMBER	STUD SIZE	SPS	AMPS
WVLS20-10-J	1 1/2-12	2	1155
WVLS20-10-K		2 1/2	1550
WVLS20-10-L		3	1895
WVLS20-11B-J	1 3/4-12	2	1155
WVLS20-11B-K		2 1/2	1550
WVLS20-11B-L		3	1895
WVLS20-13-J	2-12	2	1155
WVLS20-13-K		2 1/2	1550
WVLS20-13-L		3	1895

THESE FLEXIBLE STUD CONNECTORS ARE DESIGNED TO BE VERTICALLY ADJUSTABLE WITHIN THE LIMITS; 75° COUNTER CLOCKWISE AND 90° CLOCKWISE. THIS FEATURE WILL ACCOMMODATE THE OFF-VERTICAL ANGLE COMMON ON CIRCUIT BREAKER BUSHINGS. THE DESIGN ALSO DOES NOT DEGRADE PHASE SPACING.

THESE CONNECTORS CONSIST OF TWO SUBASSEMBLIES. THE TIN PLATED BRONZE STUD CONNECTOR AND THE ONE PIECE ALUMINUM SUBASSEMBLY. ALL HOLES EXIST IN THE STUD CONNECTOR. ONLY HOLE "E" EXISTS IN THE ALUMINUM SUBASSEMBLY. USING BOLT "E" AS A PIVOT POINT, THE ANGLE IS DETERMINED AND HOLES "A" THROUGH "D" ARE DRILLED TO FIT.

**CAUTION:** THESE DEVICES CAN DEGRADE TANK CLEARANCES



THESE DEVICES CAN BE MADE UPSIDE DOWN AND BACKWARDS, CONSULT THE FACTORY FOR SCHEDULE 80 PIPE ADD "H" TO CATALOG NUMBER: E.G. "WVLSH20-13-L"

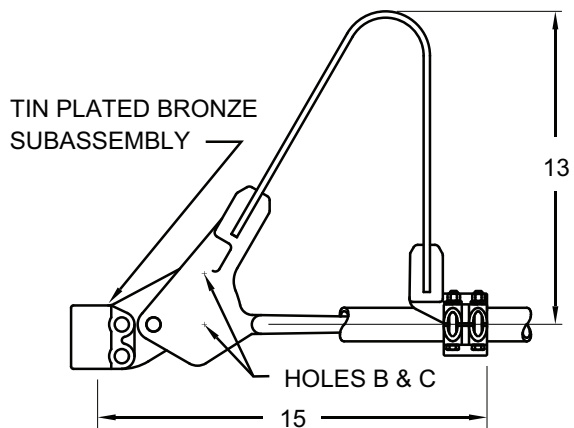
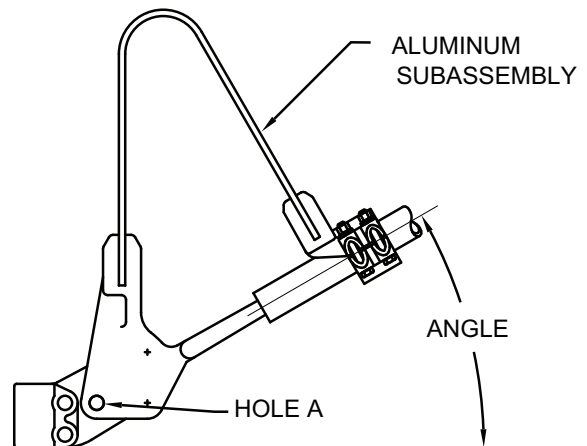
## TYPE AVLS12

### ADJUSTABLE FLEXIBLE ANGLE STUD ASSEMBLY STUD TO PIPE, BOLTED

HOMAC CATALOG NUMBER	STUD SIZE	SPS	AMPS
AVLS12-5A-F	1-12	1	650
AVLS12-5A-G		1 1/4	810
AVLS12-5A-H		1 1/2	930
AVLS12-5A-J		2	1155
AVLS12-5A-K		2 1/2	1200
AVLS12-5A-L		3	
AVLS12-6-F	1 1/8-12	1	650
AVLS12-6-G		1 1/4	810
AVLS12-6-H		1 1/2	930
AVLS12-6-J		2	1155
AVLS12-6-K		2 1/2	1200
AVLS12-6-L		3	
AVLS12-8-F	1 1/4-12	1	650
AVLS12-8-G		1 1/4	810
AVLS12-8-H		1 1/2	930
AVLS12-8-J		2	1155
AVLS12-8-K		2 1/2	1200
AVLS12-8-L		3	
AVLS12-10-F	1 1/2-12	1	650
AVLS12-10-G		1 1/4	810
AVLS12-10-H		1 1/2	930
AVLS12-10-J		2	1155
AVLS12-10-K		2 1/2	1200
AVLS12-10-L		3	
AVLS12-11B-F	1 3/4-12	1	650
AVLS12-11B-G		1 1/4	810
AVLS12-11B-H		1 1/2	930
AVLS12-11B-J		2	1155
AVLS12-11B-K		2 1/2	1200
AVLS12-11B-L		3	
AVLS12-13-F	2-12	1	650
AVLS12-13-G		1 1/4	810
AVLS12-13-H		1 1/2	930
AVLS12-13-J		2	1155
AVLS12-13-K		2 1/2	1200
AVLS12-13-L		3	

THESE FLEXIBLE STUD CONNECTORS ARE DESIGNED TO BE VERTICALLY ADJUSTABLE WITHIN THE LIMITS 30° COUNTER CLOCKWISE AND 5° CLOCKWISE. THIS FEATURE WILL ACCOMMODATE THE OFF-VERTICAL ANGLE COMMON ON CIRCUIT BREAKER BUSHINGS. THE DESIGN ALSO DOES NOT DEGRADE PHASE SPACING.

THESE CONNECTORS CONSIST OF TWO SUBASSEMBLIES. THE TIN PLATED BRONZE STUD CONNECTOR AND THE ALUMINUM SUBASSEMBLY. ALL HOLES EXIST IN THE STUD CONNECTOR. ONLY HOLE "A" EXISTS IN THE ALUMINUM PART. USING BOLT "A" AS A PIVOT POINT, THE ANGLE IS DETERMINED AND HOLES "B" AND "C" ARE DRILLED TO FIT.



FOR SCHEDULE 80 PIPE ADD "H" TO CATALOG NUMBER: E.G. "AVLSH12-13-L"

## TYPE AVLS20

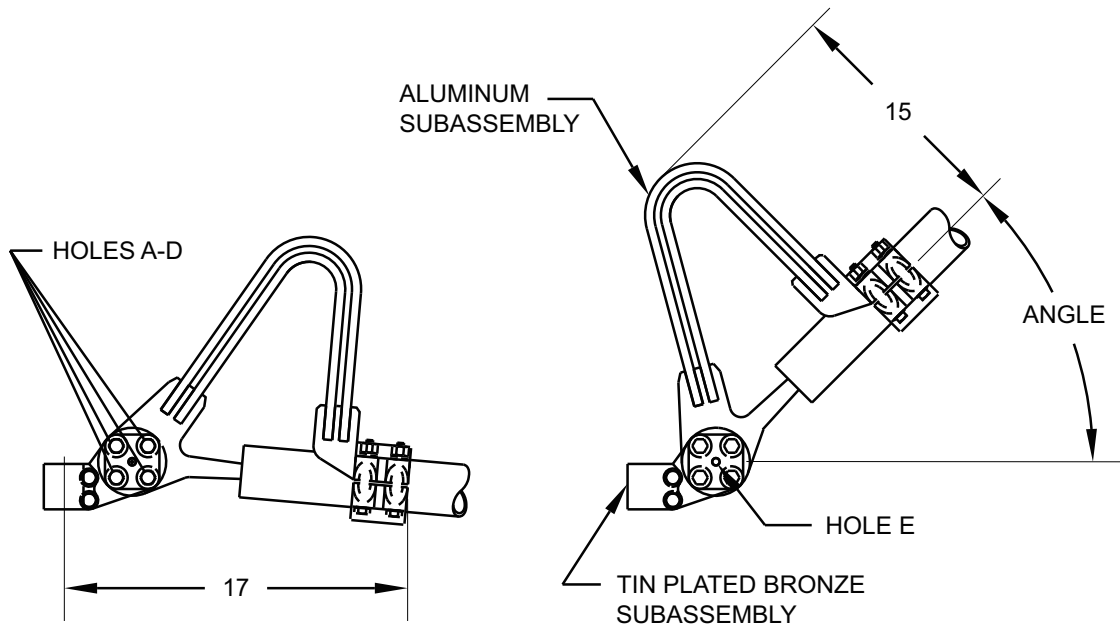
### ADJUSTABLE FLEXIBLE ANGLE STUD ASSEMBLY STUD TO PIPE, BOLTED

HOMAC CATALOG NUMBER	STUD SIZE	SPS	AMPS
AVLS20-10-J	1 1/2-12	2	1155
AVLS20-10-K		2 1/2	1590
AVLS20-10-L		3	1895
AVLS20-11B-J	1 3/4-12	2	1155
AVLS20-11B-K		2 1/2	1590
AVLS20-11B-L		3	1895
AVLS20-13-J	2-12	2	1155
AVLS20-13-K		2 1/2	1590
AVLS20-13-L		3	1895

THESE FLEXIBLE STUD CONNECTORS ARE DESIGNED TO BE VERTICALLY ADJUSTABLE WITHIN THE LIMITS; 75° COUNTER CLOCKWISE AND 90° CLOCKWISE. THIS FEATURE WILL ACCOMMODATE THE OFF-VERTICAL ANGLE COMMON ON CIRCUIT BREAKER BUSHINGS. THE DESIGN ALSO DOES NOT DEGRADE PHASE SPACING.

THESE CONNECTORS CONSIST OF TWO SUBASSEMBLIES. THE TIN PLATED BRONZE STUD CONNECTOR AND THE ONE PIECE ALUMINUM SUBASSEMBLY. ALL HOLES EXIST IN THE STUD CONNECTOR. ONLY HOLE "E" EXISTS IN THE ALUMINUM SUBASSEMBLY. USING BOLT "E" AS A PIVOT POINT, THE ANGLE IS DETERMINED AND HOLES "A" THROUGH "D" ARE DRILLED TO FIT.

**CAUTION:** THESE DEVICES CAN DEGRADE TANK CLEARANCES

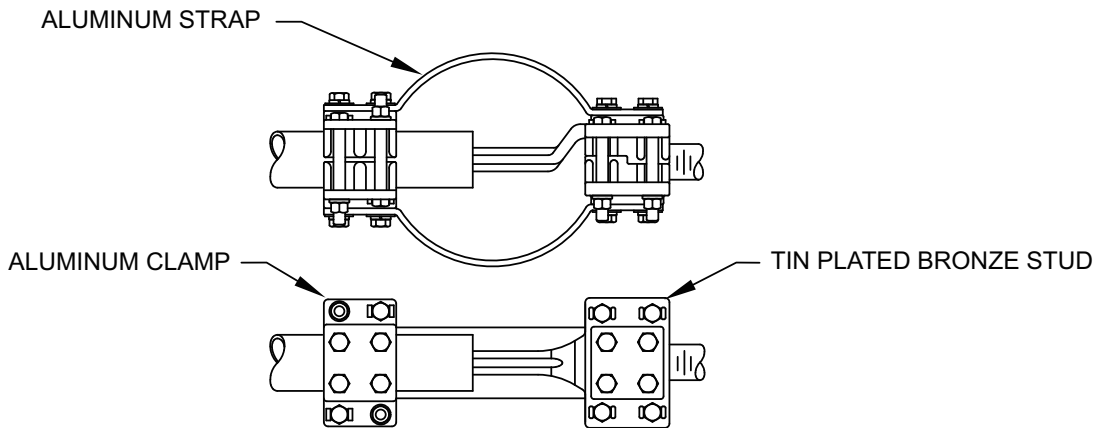


THESE DEVICES CAN BE MADE UPSIDE DOWN AND BACKWARDS, CONSULT THE FACTORY FOR SCHEDULE 80 PIPE ADD "H" TO CATALOG NUMBER: E.G. "AVLSH20-13-L"

**BOLTED ALUMINUM**

## TYPE ASPKG

EXPANSION STUD  
ALUMINUM PIPE TO COPPER STUD

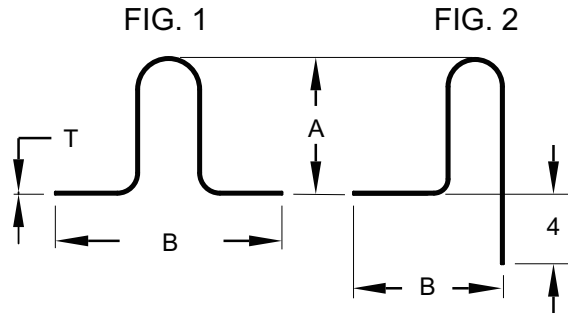


CATALOG NUMBER WILL BE DESIGNATED FROM THE FOLLOWING INFORMATION  
ASPKG - (STUD LETTER) - (PIPE LETTER) E.G.: "ASPKG-8-P"

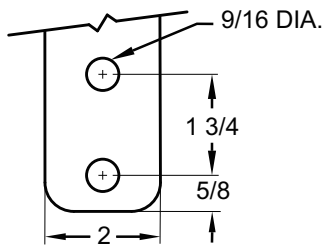
STUD SIZE	STUD LETTER
1 1/8-12	6
1 1/4-12	8
1 1/2-12	10
1 3/4-12	11B
2-12	13
2 1/2-12	13B
3-12	15

PIPE SIZE	PIPE LETTER
1 1/4	G
1 1/2	H
2	J
2 1/2	K
3	L
3 1/2	M
4	P

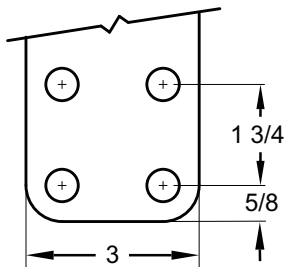
CONNECTORS SUPPLIED WITH CLAMPING HARDWARE IN ACCORDANCE WITH NEMA STANDARD (CC 1)  
FOR 90° TAKE-OFF, ADD "90" TO CATALOG NUMBER. E.G.: "ASPKG-15-G90"  
FOR SCHEDULE 80 PIPE ADD "H" TO CATALOG NUMBER: E.G. "ASPKG-8-P"  
USE CHART GA-735 FOR INSTALLATION SEE GENERAL REFERENCE PAGE 24



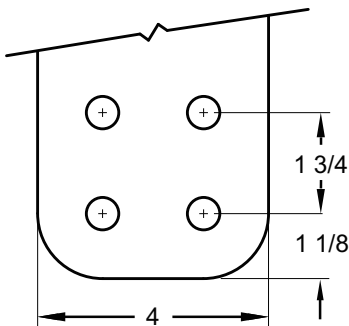
**TYPE AVLS**  
FLEXIBLE ALUMINUM STRAP



2-HOLE NEMA FLAT



3" 4-HOLE NEMA FLAT



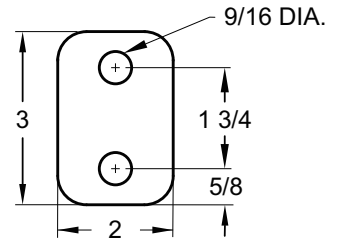
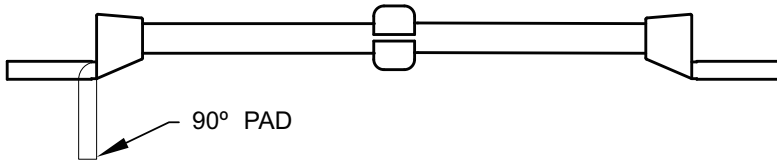
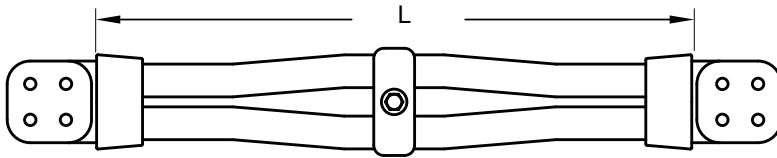
4" 4-HOLE NEMA FLAT

HOMAC CATALOG NUMBER	FIG	A	B	T	AMPS
<b>2-HOLE NEMA FLAT</b>					
AVLS1-300-2N	1	6	11 1/4	1/8	300
AVLS1-530-2N				1/4	530
AVLS1-670-2N				3/8	670
<b>3" 4-HOLE NEMA FLAT</b>					
AVLS1-420-4N	1	8	13 1/4	1/8	420
AVLS1-750-4N				1/4	750
AVLS1-930-4N				3/8	930
<b>4" 4-HOLE NEMA FLAT</b>					
AVLS1-530-4NN	1	8	13 1/4	1/8	530
AVLS1-960-4NN				1/4	960
AVLS1-1170-4NN				3/8	1170
<b>2-HOLE NEMA FLAT</b>					
AVLS2-300-2N	2	6	7 5/8	1/8	300
AVLS2-530-2N				1/4	530
AVLS2-670-2N				3/8	670
<b>3" 4-HOLE NEMA FLAT</b>					
AVLS2-420-4N	2	8	8 5/8	1/8	420
AVLS2-750-4N				1/4	750
AVLS2-930-4N				3/8	930
<b>4" 4-HOLE NEMA FLAT</b>					
AVLS2-530-4NN	2	8	8 5/8	1/8	530
AVLS2-960-4NN				1/4	960
AVLS2-1170-4NN				3/8	1170

**BOLTED ALUMINUM**

**TYPE 7020**

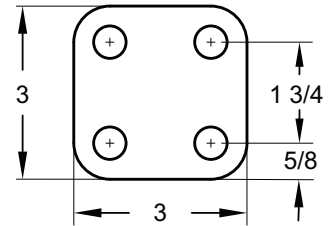
**WELDED CABLE JUMPERS  
 FLAT TO FLAT**



**2-HOLE NEMA FLAT**

PAD CODE:

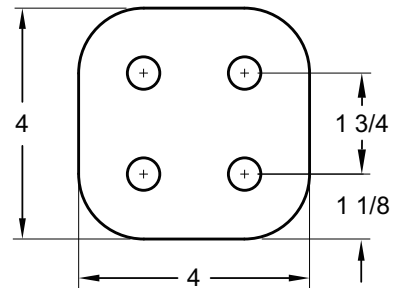
- A = STRAIGHT
- B = 90°



**3" 4-HOLE NEMA FLAT**

PAD CODE:

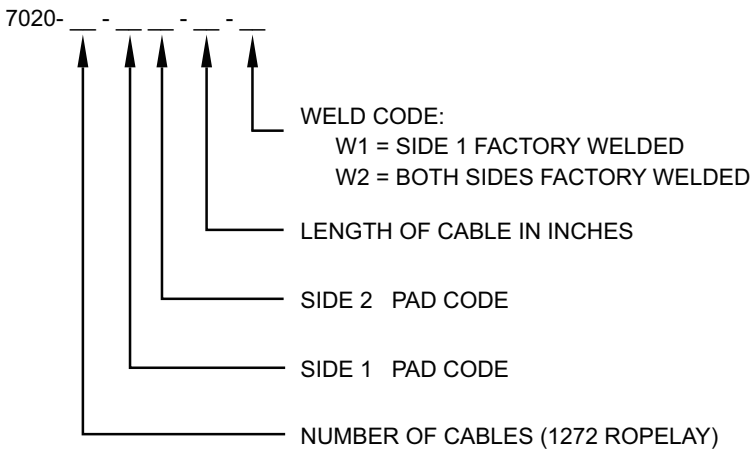
- C = STRAIGHT
- B = 90°



**4" 4-HOLE NEMA FLAT**

PAD CODE:  
 E = STRAIGHT  
 B = 90°

**CATALOG NUMBERS FORMED AS FOLLOWS:**



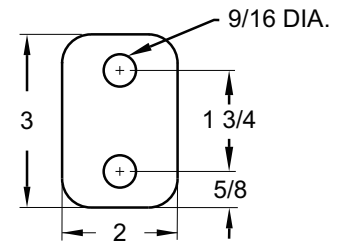
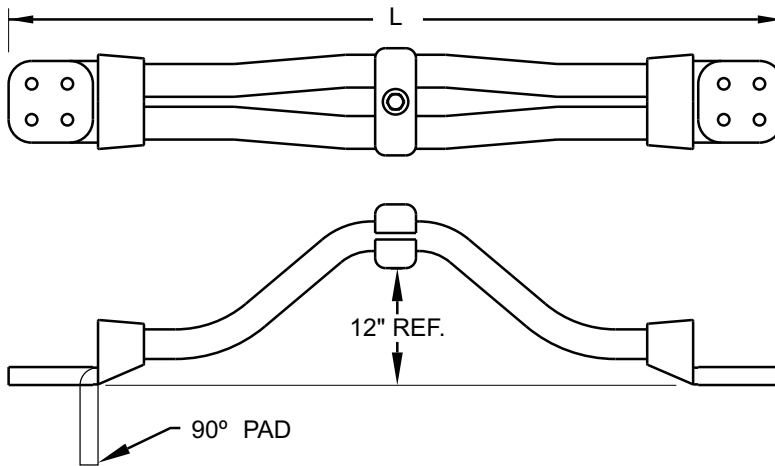
1272 ROPELAY AMPACITY (30°C / 40°C) = 940 AMPS  
 CABLE SPACERS SUPPLIED IF CABLE LENGTHS ARE 48" OR LONGER

**BOLTED ALUMINUM**

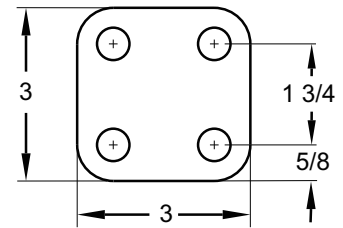


# TYPE 7021

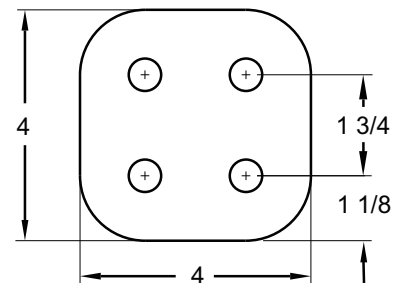
## WELDED CABLE JUMPERS FLAT TO FLAT



2-HOLE NEMA FLAT  
PAD CODE:  
A = STRAIGHT  
B = 90°

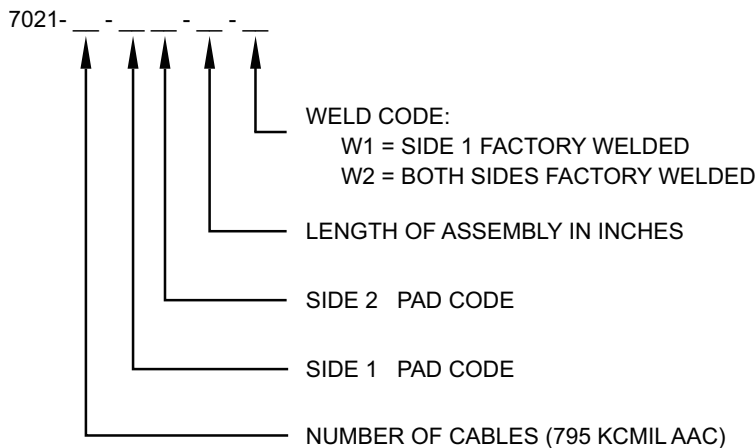


3" 4-HOLE NEMA FLAT  
PAD CODE:  
C = STRAIGHT  
B = 90°



4" 4-HOLE NEMA FLAT  
PAD CODE:  
E = STRAIGHT  
B = 90°

### CATALOG NUMBERS FORMED AS FOLLOWS:



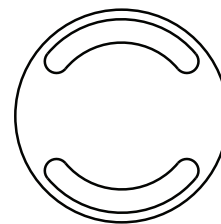
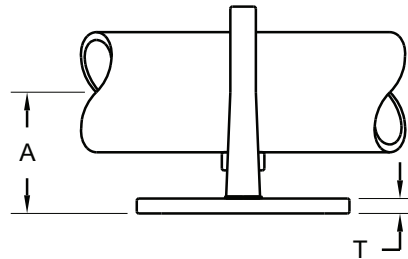
795 KCMIL AAC AMPACITY (30°C / 40°C) = 885 AMPS  
CABLE SPACERS SUPPLIED IF CABLE LENGTHS ARE 48" OR LONGER

**BOLTED ALUMINUM**

**TYPE ATB**

SLIDE BUS SUPPORT  
PIPE TO INSULATOR

HOMAC CATALOG NUMBER	SPS	A	T
<b>3" BOLT CIRCLE</b>			
ATB-E-3	3/4	2	7/16
ATB-F-3	1		
ATB-G-3	1 1/4	2 1/4	
ATB-H-3	1 1/2	2 1/2	
ATB-J-3	2	2 3/4	
ATB-K-3	2 1/2	3 1/8	
ATB-L-3	3	3 5/8	
ATB-M-3	3 1/2	4	
ATB-P-3	4	4 1/2	
ATB-R-3	5	5	
ATB-S-3	6	5 1/2	
<b>5" BOLT CIRCLE</b>			
ATB-E-5	3/4	2 1/4	1/2
ATB-F-5	1		
ATB-G-5	1 1/4	2 3/8	
ATB-H-5	1 1/2	2 1/2	
ATB-J-5	2	2 3/4	
ATB-K-5	2 1/2	3 1/8	
ATB-L-5	3	3 5/8	
ATB-M-5	3 1/2	4	
ATB-P-5	4	4 1/2	
ATB-R-5	5	5	
ATB-S-5	6	5 1/2	



SLOTS: 3" BC 9/16  
5" BC 11/16

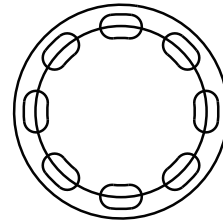
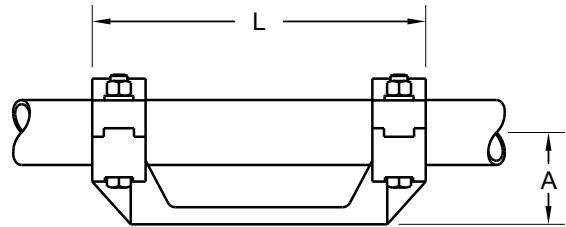
CONNECTORS SUPPLIED WITH CLAMPING HARDWARE IN ACCORDANCE WITH NEMA STANDARD (CC 1)  
GALVANIZED HARDWARE FOR MOUNTING TO INSULATOR IS SUPPLIED  
STAINLESS STEEL ANTI-CHATTER SPRING IS SUPPLIED

**BOLTED ALUMINUM**

HOMAC CATALOG NUMBER	SPS	A	L
<b>3" BOLT CIRCLE</b>			
ASBC-E-3	3/4	2	8 1/2
ASBC-F-3	1		
ASBC-G-3	1 1/4	2 1/4	
ASBC-H-3	1 1/2	2 1/2	
ASBC-J-3	2	2 3/4	
ASBC-K-3	2 1/2	3 1/8	
ASBC-L-3	3	3 5/8	8
ASBC-M-3	3 1/2	4	7 5/8
ASBC-P-3	4	4 1/2	8
ASBC-R-3	5	5	
ASBC-S-3	6	5 1/2	
<b>5" BOLT CIRCLE</b>			
ASBC-E-5	3/4	2 1/4	9 1/4
ASBC-F-5	1		
ASBC-G-5	1 1/4	2 3/8	9 1/2
ASBC-H-5	1 1/2	2 1/2	
ASBC-J-5	2	2 3/4	
ASBC-K-5	2 1/2	3 1/8	10
ASBC-L-5	3	3 5/8	
ASBC-M-5	3 1/2	4	
ASBC-P-5	4	4 1/2	
ASBC-R-5	5	5	10 1/2
ASBC-S-5	6	5 1/2	11

## TYPE ASBC

BOLTED BUS SUPPORT  
PIPE TO INSULATOR  
CLAMP OR SLIP FIT



SLOTS: 3" BC 9/16 X 3/4  
5" BC 11/16 X 7/8

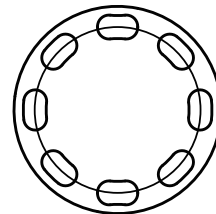
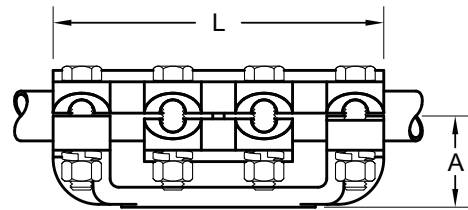
CONNECTORS SUPPLIED WITH CLAMPING HARDWARE IN ACCORDANCE WITH NEMA STANDARD (CC 1)  
GALVANIZED HARDWARE FOR MOUNTING TO INSULATOR IS SUPPLIED  
STAINLESS STEEL ANTI-CHATTER SPRINGS ARE SUPPLIED

**TYPE ASBCC**

**BOLTED BUS SUPPORT COUPLER  
PIPE TO INSULATOR**

**BOLTED ALUMINUM**

HOMAC CATALOG NUMBER	SPS	A	L
<b>3" BOLT CIRCLE</b>			
ASBCC-E-3	3/4	2	7 1/2
ASBCC-F-3	1		
ASBCC-G-3	1 1/4	2 1/4	
ASBCC-H-3	1 1/2	2 1/2	
ASBCC-J-3	2	2 3/4	
ASBCC-K-3	2 1/2	3 1/8	
ASBCC-L-3	3	3 5/8	8
ASBCC-M-3	3 1/2	4	
ASBCC-P-3	4	4 1/2	
ASBCC-R-3	5	5	
ASBCC-S-3	6	5 1/2	
<b>5" BOLT CIRCLE</b>			
ASBCC-E-5	3/4	2 1/4	9 1/2
ASBCC-F-5	1		
ASBCC-G-5	1 1/4	2 3/8	
ASBCC-H-5	1 1/2	2 1/2	
ASBCC-J-5	2	2 3/4	
ASBCC-K-5	2 1/2	3 1/8	
ASBCC-L-5	3	3 5/8	10
ASBCC-M-5	3 1/2	4	
ASBCC-P-5	4	4 1/2	
ASBCC-R-5	5	5	
ASBCC-S-5	6	5 1/2	

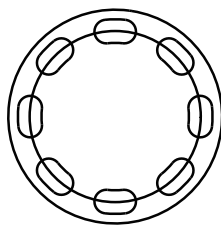
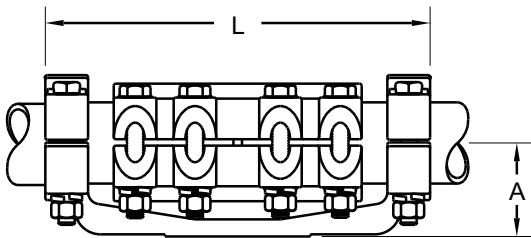


SLOTS: 3" BC 9/16 X 3/4  
5" BC 11/16 X 7/8

CONNECTORS SUPPLIED WITH CLAMPING HARDWARE IN ACCORDANCE WITH NEMA STANDARD (CC 1)  
GALVANIZED HARDWARE FOR MOUNTING TO INSULATOR IS SUPPLIED  
STAINLESS STEEL ANTI-CHATTER SPRINGS ARE SUPPLIED

**TYPE ASBCE**

SLIDE BUS SUPPORT COUPLER  
PIPE TO INSULATOR



SLOTS: 3" BC 9/16 X 3/4  
5" BC 11/16 X 7/8

HOMAC CATALOG NUMBER	SPS	A	L
<b>3" BOLT CIRCLE</b>			
ASBCE-E-3	3/4	2	11 1/4
ASBCE-F-3	1		
ASBCE-G-3	1 1/4	2 1/4	
ASBCE-H-3	1 1/2	2 1/2	
ASBCE-J-3	2	2 3/4	
ASBCE-K-3	2 1/2	3 1/8	
ASBCE-L-3	3	3 5/8	12
ASBCE-M-3	3 1/2	4	
ASBCE-P-3	4	4 1/2	
ASBCE-R-3	5	5	13
ASBCE-S-3	6	5 1/2	
<b>5" BOLT CIRCLE</b>			
ASBCE-E-5	3/4	2 1/4	10 1/4
ASBCE-F-5	1		
ASBCE-G-5	1 1/4	2 3/8	
ASBCE-H-5	1 1/2	2 1/2	
ASBCE-J-5	2	2 3/4	13 1/4
ASBCE-K-5	2 1/2	3 1/8	
ASBCE-L-5	3	3 5/8	14 1/2
ASBCE-M-5	3 1/2	4	
ASBCE-P-5	4	4 1/2	
ASBCE-R-5	5	5	
ASBCE-S-5	6	5 1/2	

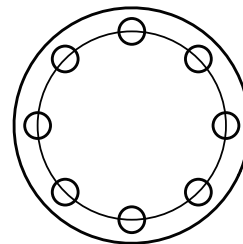
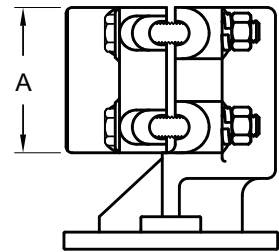
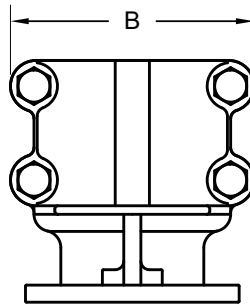
CONNECTORS SUPPLIED WITH CLAMPING HARDWARE IN ACCORDANCE WITH NEMA STANDARD (CC 1)  
GALVANIZED HARDWARE FOR MOUNTING TO INSULATOR IS SUPPLIED  
STAINLESS STEEL ANTI-CHATTER SPRINGS ARE SUPPLIED

**BOLTED ALUMINUM**

## TYPE AVBS

### BOLTED VERTICAL BUS SUPPORT PIPE TO INSULATOR

HOMAC CATALOG NUMBER	SPS	A	B
<b>3" BOLT CIRCLE</b>			
AVBS-E-3	3/4	3	2 7/8
AVBS-F-3	1		3 3/8
AVBS-G-3	1 1/4		3 3/4
AVBS-H-3	1 1/2		4
AVBS-J-3	2		4 1/2
AVBS-K-3	2 1/2		5
AVBS-L-3	3	3 3/4	6
AVBS-M-3	3 1/2	4 1/4	6 1/2
AVBS-P-3	4		7 1/8
AVBS-R-3	5		8 5/16
AVBS-S-3	6		9 5/16
<b>5" BOLT CIRCLE</b>			
AVBS-E-5	3/4	3	2 7/8
AVBS-F-5	1		3 5/8
AVBS-G-5	1 1/4		3 3/4
AVBS-H-5	1 1/2		4
AVBS-J-5	2		4 1/2
AVBS-K-5	2 1/2		5
AVBS-L-5	3	3 3/4	6
AVBS-M-5	3 1/2	4 1/4	6 1/2
AVBS-P-5	4		7 1/8
AVBS-R-5	5		8 5/16
AVBS-S-5	6		9 5/16



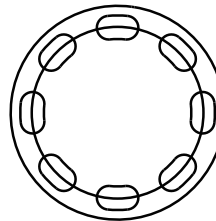
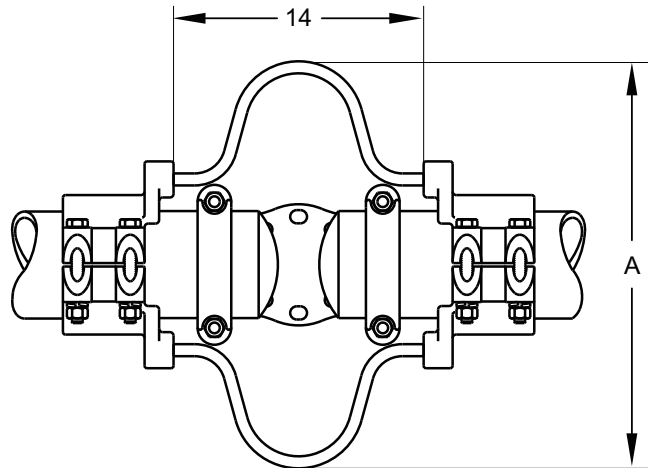
HOLES: 3" BC 9/16  
5" BC 11/16

CONNECTORS SUPPLIED WITH CLAMPING HARDWARE IN ACCORDANCE WITH NEMA STANDARD (CC 1)  
GALVANIZED HARDWARE FOR MOUNTING TO INSULATOR IS SUPPLIED

## TYPE APPB

### BOLTED EXPANSION BUS SUPPORT PIPE TO INSULATOR

HOMAC CATALOG NUMBER	SPS	A
<b>3" BOLT CIRCLE</b>		
APPB-G-3	1 1/4	16
APPB-H-3	1 1/2	
APPB-J-3	2	
APPB-K-3	2 1/2	17
APPB-L-3	3	19
APPB-M-3	3 1/2	
APPB-P-3	4	
APPB-R-3	5	21
APPB-S-3	6	
<b>5" BOLT CIRCLE</b>		
APPB-F-5	1	16
APPB-G-5	1 1/4	
APPB-H-5	1 1/2	
APPB-J-5	2	17
APPB-K-5	2 1/2	
APPB-L-5	3	
APPB-M-5	3 1/2	19
APPB-P-5	4	
APPB-R-5	5	
APPB-S-5	6	21



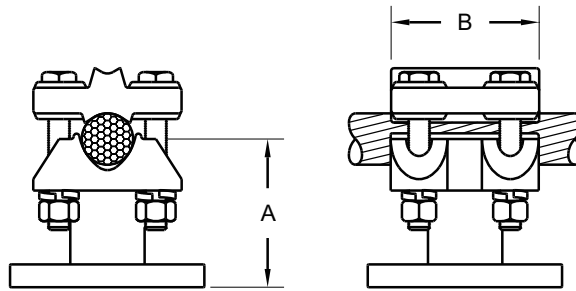
SLOTS: 3" BC 9/16 X 3/4  
5" BC 11/16 X 7/8

END CAPS ARE SUPPLIED  
 USE CHART GA-796 FOR INSTALLATION SEE GENERAL REFERENCE PAGE 25  
 FOR SCHEDULE 80 PIPE ADD "H" TO CATALOG NUMBER: E.G. "APPBH-G-3"  
 GALVANIZED HARDWARE FOR MOUNTING TO INSULATOR IS SUPPLIED  
 CONNECTORS BUS HEIGHT IS IN ACCORDANCE WITH NEMA STANDARD (CC 1)  
 CONNECTORS SUPPLIED WITH CLAMPING HARDWARE IN ACCORDANCE WITH NEMA STANDARD (CC 1)  
 STAINLESS STEEL ANTI-CHATTER SPRINGS ARE SUPPLIED

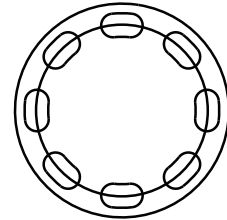
**BOLTED ALUMINUM**

## TYPE ASBD

**BOLTED BUS SUPPORT  
CABLE TO INSULATOR**



HOMAC CATALOG NUMBER	CABLE SIZE		CABLE DIA. MIN-MAX	A	B
	AAC	ACSR			
<b>3" BOLT CIRCLE</b>					
ASBD-25-3	#4 - 250	#4 - 4/0	.232 - .575	3	2 7/8
ASBD-40-3	1/0 - 400	1/0 - 336	.368 - .741		
ASBD-100-3	250 - 1000	300 - 795	.567 - 1.150	3 1/4	3 1/4
ASBD-175-3	4/0 - 1750	4/0 - 1590	.522 - 1.545	3 1/2	3 1/2
ASBD-250-3	1100 - 2500	1133 - 2300	1.209 - 1.823		4
<b>5" BOLT CIRCLE</b>					
ASBD-40-5	1/0 - 400	1/0 - 336	.368 - .741	3	2 7/8
ASBD-100-5	250 - 1000	300 - 795	.567 - 1.150	3 1/4	3 1/4
ASBD-175-5	4/0 - 1750	4/0 - 1590	.522 - 1.545	3 1/2	3 1/2
ASBD-250-5	1100 - 2500	1133 - 2300	1.209 - 1.823		4



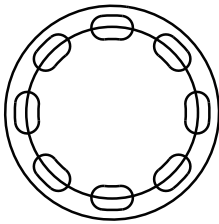
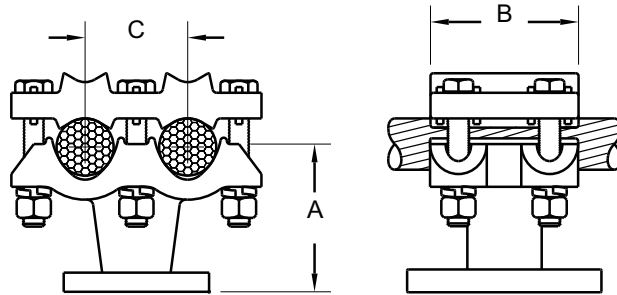
SLOTS: 3" BC 9/16 X 3/4  
5" BC 11/16 X 7/8

CONNECTORS SUPPLIED WITH CLAMPING HARDWARE IN ACCORDANCE WITH NEMA STANDARD (CC 1)  
GALVANIZED HARDWARE FOR MOUNTING TO INSULATOR IS SUPPLIED



## TYPE ASBP

BOLTED BUS SUPPORT  
(2) CABLES TO INSULATOR



SLOTS: 3" BC 9/16 X 3/4  
5" BC 11/16 X 7/8

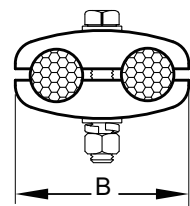
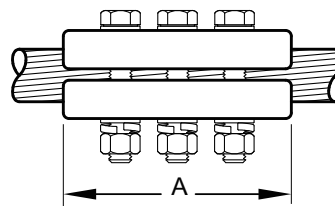
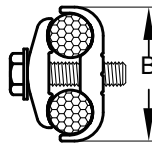
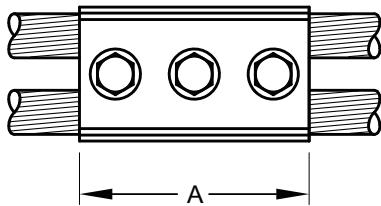
HOMAC CATALOG NUMBER	CABLE SIZE		CABLE DIAMETER MIN.-MAX.	A	B	C
	AAC	ACSR				
<b>3" BOLT CIRCLE</b>						
ASBP-25-3	#4 - 250	#4 - 4/0	.232 - .575	3	3	1
ASBP-40-3	1/0 - 400	1/0 - 336	.368 - .741			1 3/4
ASBP-100-3	250 - 1000	300 - 795	.567 - 1.150	3 5/16	3 1/4	2 1/8
ASBP-150-3	556 - 1500	636 - 1272	.856 - 1.412	3 3/8	3 5/8	2 1/2
ASBP-250-3	1100 - 2500	1133 - 2300	1.209 - 1.823	3 9/16	4	3
<b>5" BOLT CIRCLE</b>						
ASBP-25-5	#4 - 250	#4 - 4/0	.232 - .575	3	3	1
ASBP-40-5	1/0 - 400	1/0 - 336	.368 - .741			1 3/4
ASBP-100-5	250 - 1000	300 - 795	.567 - 1.150	3 5/16	3 1/4	2 1/8
ASBP-150-5	556 - 1500	636 - 1272	.856 - 1.412	3 3/8	3 5/8	2 1/2
ASBP-250-5	1100 - 2500	1133 - 2300	1.209 - 1.823	3 9/16	4	3

CONNECTORS SUPPLIED WITH CLAMPING HARDWARE IN ACCORDANCE WITH NEMA STANDARD (CC 1)  
GALVANIZED HARDWARE FOR MOUNTING TO INSULATOR IS SUPPLIED

**BOLTED ALUMINUM**

## TYPE APP

PARALLEL CLAMP  
CABLE TO CABLE



**STYLE 1**

EXTRUSION  
BASE TAPPED, NUT NOT REQUIRED

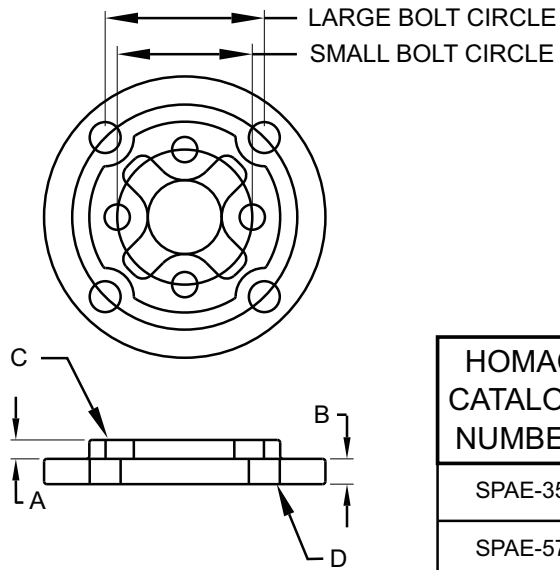
**STYLE 2**

CASTING  
REQUIRES NUT

HOMAC CATALOG NUMBER	STYLE	QUANTITY OF BOLTS	CABLE SIZE		CABLE DIA. MIN-MAX	A	B
			AAC	ACSR			
APP2-100-100	1	2	1/0 - 556.5	1/0 - 556.5	.373 - .879	4	3 1/2
APP3-100-100			OR	OR	.684 - 1.165		
APP3-143-143	2	3	1000 - 1431	874 - 1272	1.150 - 1.379	6	4 1/4
APP3-250-250 *			1113 - 2500	1431 - 2300	1.216 - 1.823		5

\* SAME SIZE CONDUCTOR TO BE USED IN BOTH GROOVES

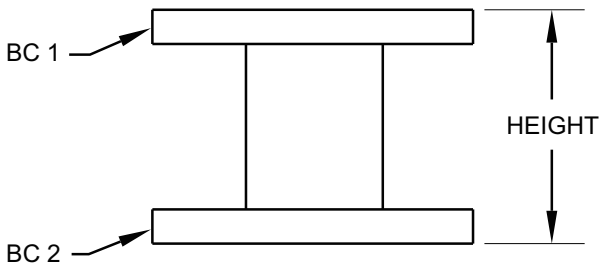
OTHER SIZES AVAILABLE, CONSULT THE FACTORY  
CONNECTORS SUPPLIED WITH CLAMPING HARDWARE IN ACCORDANCE WITH NEMA STANDARD (CC 1)



## TYPE SPAE

### BOLT CIRCLE ADAPTER

HOMAC CATALOG NUMBER	SMALL BC	LARGE BC	A	B	C	D
SPAЕ-35	3	5	3/8	9/16	9/16	11/16
SPAЕ-57	5	7	13/16	7/8	11/16	13/16



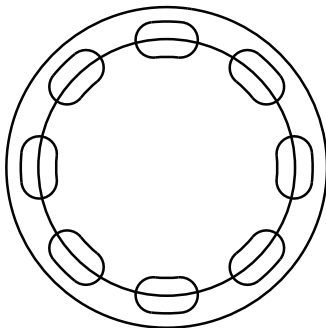
## TYPE SPAC

### BOLT CIRCLE HEIGHT ADAPTER

CATALOG NUMBERS TO BE FORMED AS FOLLOWS:

SPAC - (BC 1 & 2) - (HEIGHT)

E.G. "SPAC - 33 - 4 1/8"



SLOTS: 3" BC 9/16 X 3/4  
5" BC 11/16 X 7/8  
7" BC 13/16 X 1

**BRONZE**



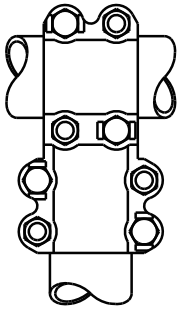
 <sup>®</sup> THE  
**HOMAC**  
COMPANIES



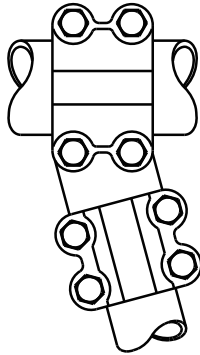


## BRONZE TEE CONNECTORS

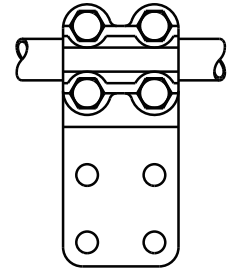
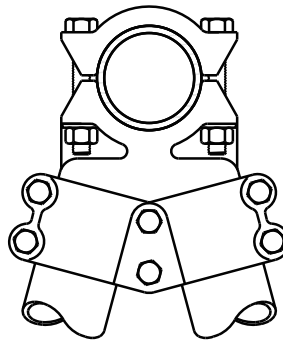
### Pictorial Index



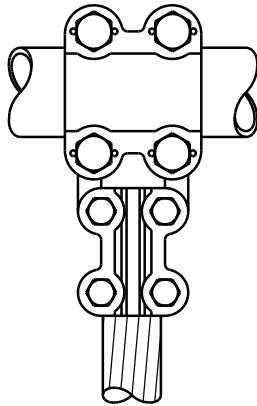
TYPE KTH  
PAGE B-02



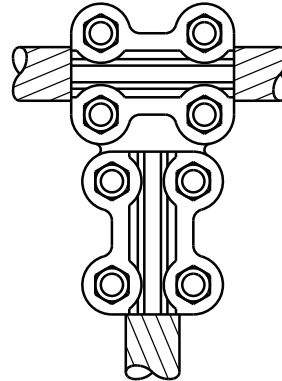
TYPE KTH-15 & KTH-15-15  
PAGE B-03



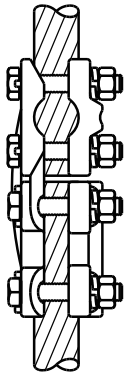
TYPE KBNT  
PAGE B-04



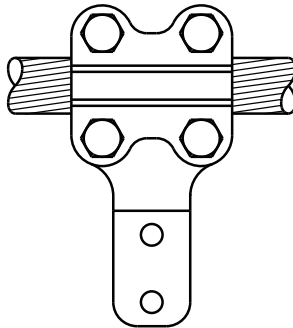
TYPE 6MT  
PAGE B-05



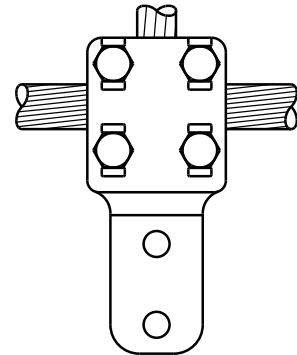
TYPE 6MT  
PAGE B-06



TYPE 6MK  
PAGE B-07



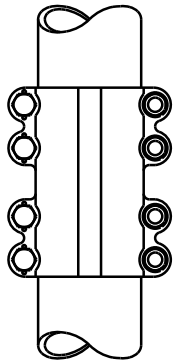
TYPE 7MT  
PAGE B-08



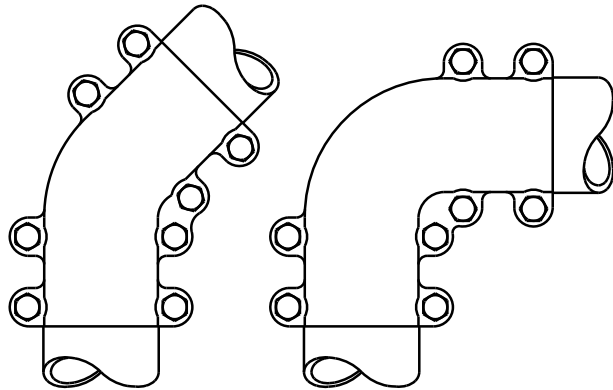
TYPE 7MK  
PAGE B-09

## BRONZE COUPLERS

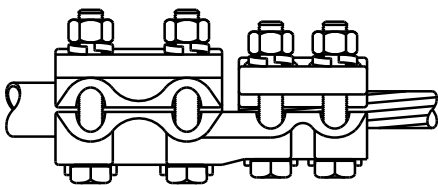
### Pictorial Index



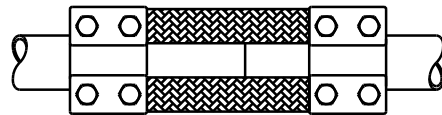
TYPE KC  
PAGE B-10



TYPE KE-45 & 90  
PAGE B-11



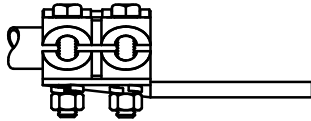
TYPE KR  
PAGE B-12



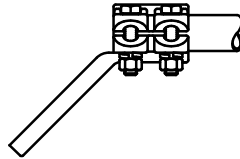
TYPE VEX  
PAGE B-13

## BRONZE TERMINALS

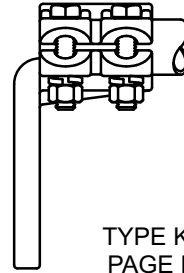
### Pictorial Index



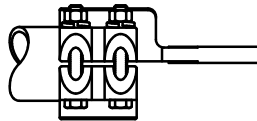
TYPE KL  
PAGE B-15



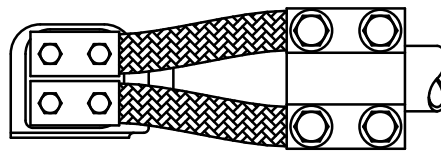
TYPE KL-45  
PAGE B-16



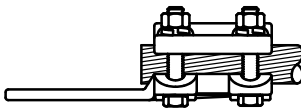
TYPE KL-90  
PAGE B-17



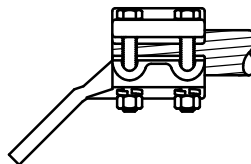
TYPE KLC  
PAGE B-18



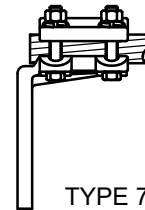
TYPE VEZ  
PAGE B-19



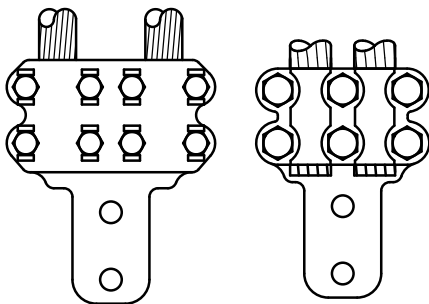
TYPE 7ME & 7M  
PAGE B-20



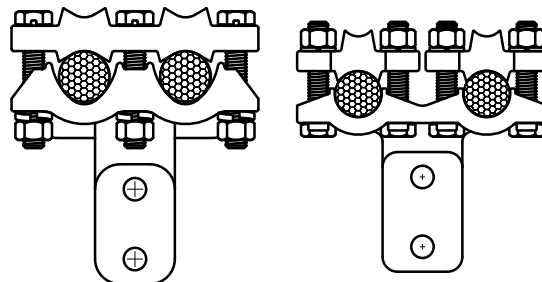
TYPE 7ME-45 & 7M-45  
PAGE B-21



TYPE 7ME-90 & 7M-90  
PAGE B-22



TYPE 7MM & 7MM1  
PAGE B-23

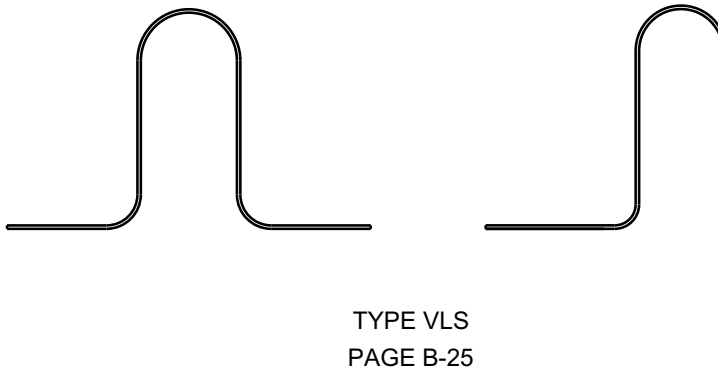


TYPE 7MM-90 & 7MM1-90  
PAGE B-24

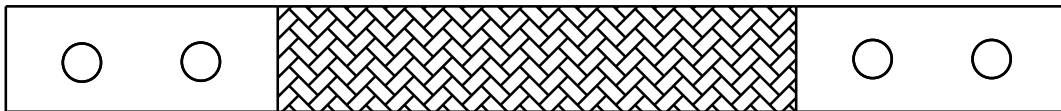


**BRONZE FLEXIBLE**

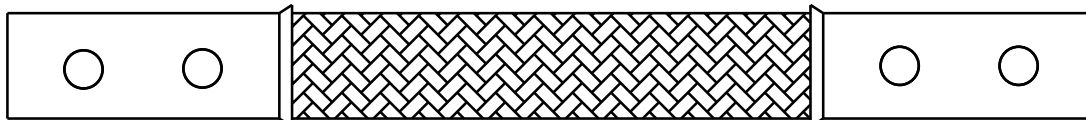
**Pictorial Index**



TYPE VLS  
PAGE B-25



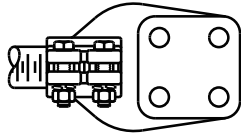
TYPE VGG  
PAGE B-26



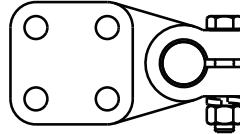
TYPE FB  
PAGE B-27

### BRONZE STUD CONNECTORS

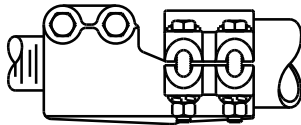
#### Pictorial Index



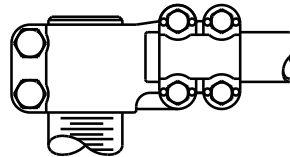
TYPE KSLC  
PAGE B-28 - B-29



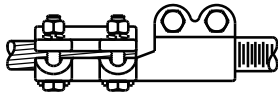
TYPE KSLF  
PAGE B-30 - B-31



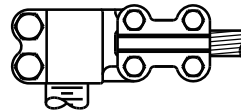
TYPE VIC  
PAGE B-32



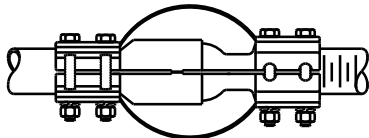
TYPE VIC-90  
PAGE B-33



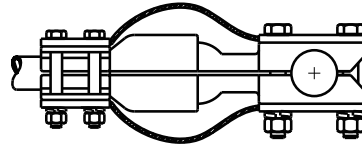
TYPE VID  
PAGE B-34



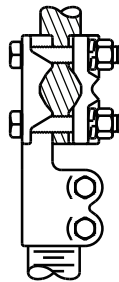
TYPE VID-90  
PAGE B-35



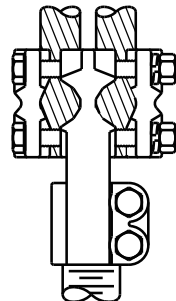
TYPE VIF  
PAGE B-36



TYPE VIF-90  
PAGE B-37



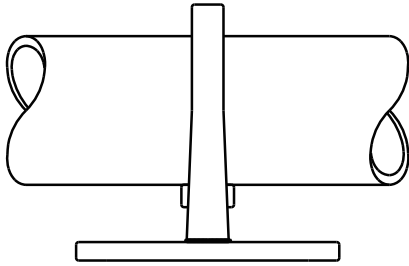
TYPE 5M  
PAGE B-38



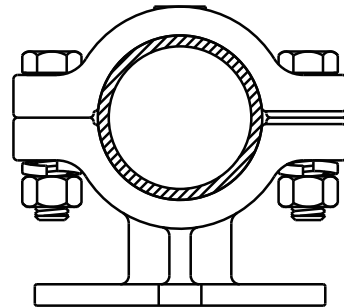
TYPE 5M-2  
PAGE B-39

## BRONZE SUPPORTS

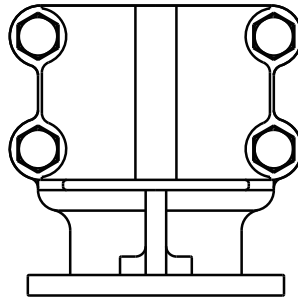
### Pictorial Index



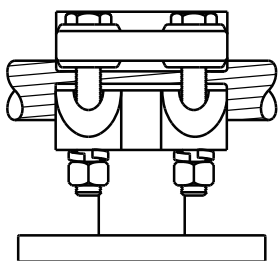
TYPE KTB  
PAGE B-40



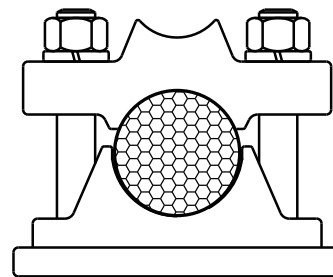
TYPE KSBE  
PAGE B-41



TYPE KVBS  
PAGE B-42



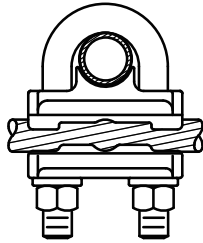
TYPE KSBD  
PAGE B-43



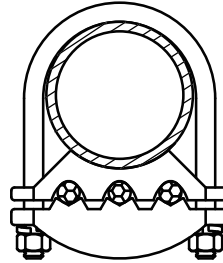
TYPE 8M  
PAGE B-44

**GROUND CONNECTORS**

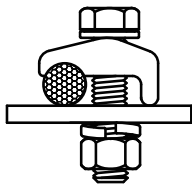
**Pictorial Index**



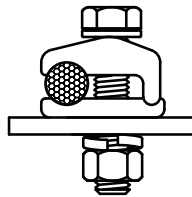
TYPE 2755  
PAGE B-46 - B-47



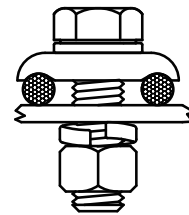
TYPE 2752  
PAGE B-48 - B-49



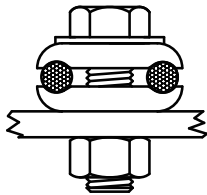
TYPE 2709T-1  
PAGE B-50



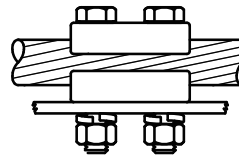
TYPE 2709-1  
PAGE B-51



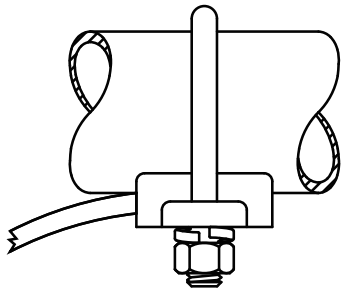
TYPE 2709T-2  
PAGE B-52



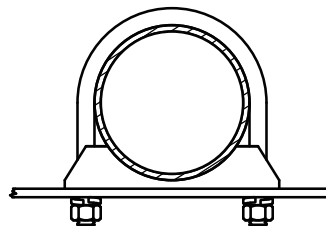
TYPE 2709-2  
PAGE B-53



TYPE 2710-2  
PAGE B-54



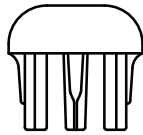
TYPE NTB  
PAGE B-55



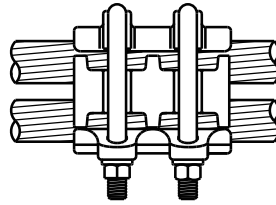
TYPE VGH  
PAGE B-56

**MISCELLANEOUS BRONZE**

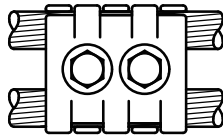
**Pictorial Index**



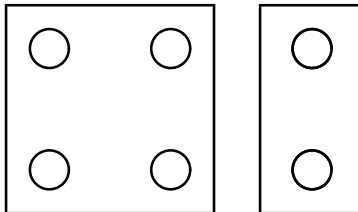
TYPE KFI  
PAGE B-01



TYPE VWU  
PAGE B-14



TYPE PT  
PAGE B-45

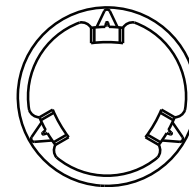
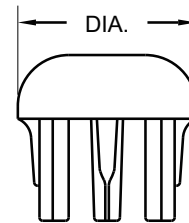


TRANSITION PLATES  
PAGE B-57

## TYPE KFI

CORONA BELL  
DRIVE FIT

HOMAC CATALOG NUMBER	SPS	DIA.
KFI-C	1/2	.840
KFI-E	3/4	1.050
KFI-F	1	1.315
KFI-G	1 1/4	1.660
KFI-H	1 1/2	1.900
KFI-J	2	2.375
KFI-K	2 1/2	2.875
KFI-L	3	3.500
KFI-M	3 1/2	4.000
KFI-P	4	4.500



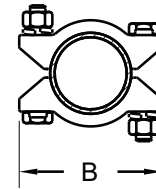
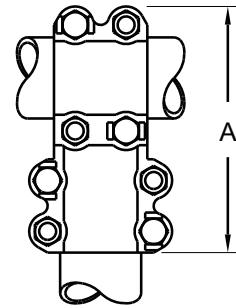
FOR SCHEDULE 80 PIPE ADD "H" TO CATALOG NUMBER: E.G. "KFIH-J"

**BRONZE**

## TYPE KTH

### TEE CONNECTOR PIPE RUN TO PIPE TAP

HOMAC CATALOG NUMBER	SPS RUN	SPS TAP	A	B		
KTH-E-C	3/4	1/2	4 1/4	2 3/16		
KTH-E-E		3/4	5 11/16	3 3/8		
KTH-F-E	1	3/4	7 3/8	3 3/16		
KTH-F-F		1	4 9/16	2 13/16		
KTH-G-E	1 1/4	3/4	5 3/16	2 9/16		
KTH-G-F		1	5 7/8	2 13/16		
KTH-G-G		1 1/4	5 13/16	2 7/16		
KTH-H-E	1 1/2	3/4	5 1/16	2 9/16		
KTH-H-F		1	6 1/8	3 1/8		
KTH-H-G		1 1/4	6 1/2	3 9/16		
KTH-H-H		1 1/2	6 9/16	3 3/4		
KTH-J-E	2	3/4	5 11/16	2 9/16		
KTH-J-F		1	7 7/16	3		
KTH-J-G		1 1/4	6 7/16	3 9/16		
KTH-J-H		1 1/2	6 7/8	4		
KTH-J-J	2 1/2	2	7 1/4	4 1/4		
KTH-K-G		1 1/4	7 7/16	3 9/16		
KTH-K-H		1 1/2		3 3/4		
KTH-K-J		2	8 9/16	4 1/2		
KTH-K-K	3	2 1/2	8	4 3/4		
KTH-L-H		1 1/2	8 5/16	3 3/4		
KTH-L-J		2	8 3/16	4 1/4		
KTH-L-K		2 1/2	8			
KTH-L-L	3 1/2	3	11 1/2	6 5/8		
KTH-M-H		1 1/2			8 1/4	3
KTH-M-J		2			8 3/4	3 5/8
KTH-M-K		2 1/2			10 5/8	5 1/4
KTH-M-L	4	3	10 7/8	5 1/8		
KTH-M-M		3 1/2	11 1/2	6 5/8		
KTH-P-J		2	10 13/16	4 3/4		
KTH-P-K		2 1/2				
KTH-P-L	4	3	11 1/4	5 1/2		
KTH-P-M		3 1/2				
KTH-P-P		4				

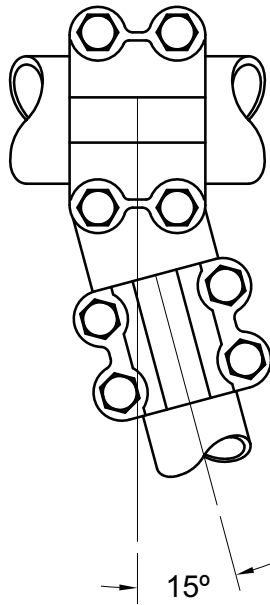


CONNECTORS SUPPLIED WITH CLAMPING HARDWARE IN ACCORDANCE WITH NEMA STANDARD (CC 1)

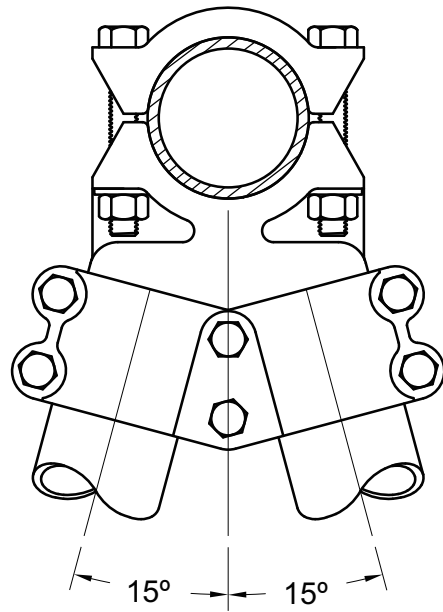
**BRONZE**

**TYPE KTH-15 AND KTH-15-15**

TEE CONNECTOR  
PIPE RUN TO PIPE TAP AT 15°



**KTH-15**



**KTH-15-15**

CATALOG NUMBERS WILL BE DESIGNATED FROM THE FOLLOWING INFORMATION:

KTH- (PIPE RUN) - (PIPE TAP)

E.G.: "KTH-J-J15" (ONE LEG AT 15°)

"KTH-J-J2-15" (TWO LEGS AT 15°)

PIPE SIZE SCH. 40 OR 80	LETTER
1	F
1 1/4	G
1 1/2	H
2	J
2 1/2	K
3	L
3 1/2	M
4	P
5	R
6	S

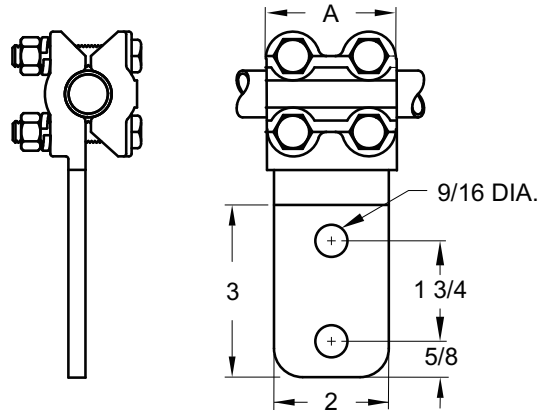
CONNECTORS SUPPLIED WITH CLAMPING HARDWARE IN ACCORDANCE WITH NEMA STANDARD (CC 1)  
FOR OTHER CONFIGURATIONS, CONSULT THE FACTORY



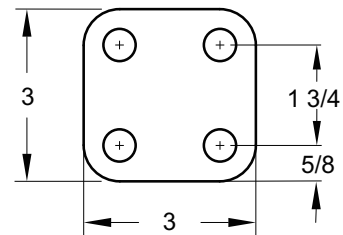
## TYPE KBNT

TEE CONNECTOR  
PIPE TO FLAT

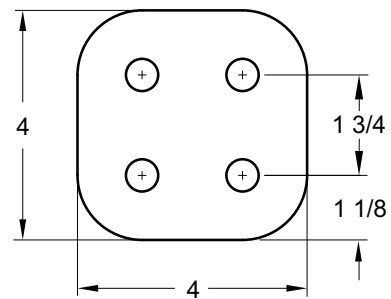
HOMAC CATALOG NUMBER	SPS	A
<b>2-HOLE NEMA FLAT</b>		
KBNT-C-2N	1/2	2 3/8
KBNT-E-2N	3/4	2 3/16
KBNT-F-2N	1	2
KBNT-G-2N	1 1/4	4
KBNT-H-2N	1 1/2	3
KBNT-J-2N	2	
<b>3" 4-HOLE NEMA FLAT</b>		
KBNT-C-4N	1/2	2 3/16
KBNT-E-4N	3/4	2 1/4
KBNT-F-4N	1	2 11/16
KBNT-G-4N	1 1/4	2 15/16
KBNT-H-4N	1 1/2	3 13/16
KBNT-J-4N	2	2 3/4
KBNT-K-4N	2 1/2	3
KBNT-L-4N	3	5
KBNT-M-4N	3 1/2	3 3/4
<b>4" 4-HOLE NEMA FLAT</b>		
KBNT-C-4NN	1/2	2 3/8
KBNT-E-4NN	3/4	3
KBNT-F-4NN	1	2 3/8
KBNT-G-4NN	1 1/4	
KBNT-H-4NN	1 1/2	2 3/4
KBNT-J-4NN	2	
KBNT-K-4NN	2 1/2	3
KBNT-L-4NN	3	3 3/4
KBNT-M-4NN	3 1/2	4 1/4
KBNT-P-4NN	4	4



2-HOLE NEMA FLAT



3" 4-HOLE NEMA FLAT



4" 4-HOLE NEMA FLAT

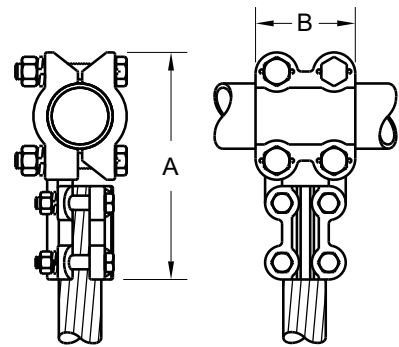
ALL PADS ARE FINISHED ON BOTH SIDES  
CONNECTORS SUPPLIED WITH CLAMPING HARDWARE IN ACCORDANCE WITH NEMA STANDARD (CC 1)

**BRONZE**

**TYPE 6MT**

**TEE CONNECTOR  
PIPE TO CABLE**

HOMAC CATALOG NUMBER	RUN SPS	TAP CABLE SIZE	CABLE DIAMETER MIN.-MAX.	A	B
6MT-C-60E3 *	1/2	#4 - 600	.232 - .893	5 1/4	2 3/4
6MT-E-60E3 *	3/4			4/0 - 1000	.528 - 1.152
6MT-E-60		5 3/4	3		
6MT-E-100					
6MT-F-60E3 *	1	#4 - 600	.232 - .893	6 7/16	3
6MT-F-100		4/0 - 1000	.528 - 1.152		
6MT-G-60	1 1/4	#4 - 600	.232 - .893	6 3/4	3
6MT-G-100		4/0 - 1000	.528 - 1.152		
6MT-G-150		600 - 1500	.893 - 1.412		
6MT-H-60	1 1/2	#4 - 600	.232 - .893	7	3
6MT-H-100		4/0 - 1000	.528 - 1.152		
6MT-H-150		600 - 1500	.893 - 1.412		
6MT-J-60	2	#4 - 600	.232 - .893	8	3
6MT-J-100		4/0 - 1000	.528 - 1.152		
6MT-J-150		600 - 1500	.893 - 1.432		
6MT-J-200		1500 - 2000	1.412 - 1.632		
6MT-K-60	2 1/2	#4 - 600	.232 - .893	7 9/16	2 3/16
6MT-K-100		4/0 - 1000	.528 - 1.152		
6MT-K-150		600 - 1500	.893 - 1.432		
6MT-K-200		1500 - 2000	1.412 - 1.632		
6MT-L-60	3	#4 - 600	.232 - .893	9	3 7/8
6MT-L-100		4/0 - 1000	.528 - 1.152	10	3 3/4
6MT-L-150		600 - 1500	.893 - 1.432		
6MT-L-200		1500 - 2000	1.412 - 1.632		
6MT-M-60	3 1/2	#4 - 600	.232 - .893	9 3/16	3
6MT-M-100		4/0 - 1000	.528 - 1.152		
6MT-M-150		600 - 1500	.893 - 1.432		
6MT-M-200		1500 - 2000	1.412 - 1.632		
6MT-P-100	4	4/0 - 1000	.528 - 1.152	10 1/4	3 1/2
6MT-P-150		600 - 1500	.893 - 1.432	10 1/2	3 3/4
6MT-P-200		1500 - 2000	1.412 - 1.632	10 3/4	4

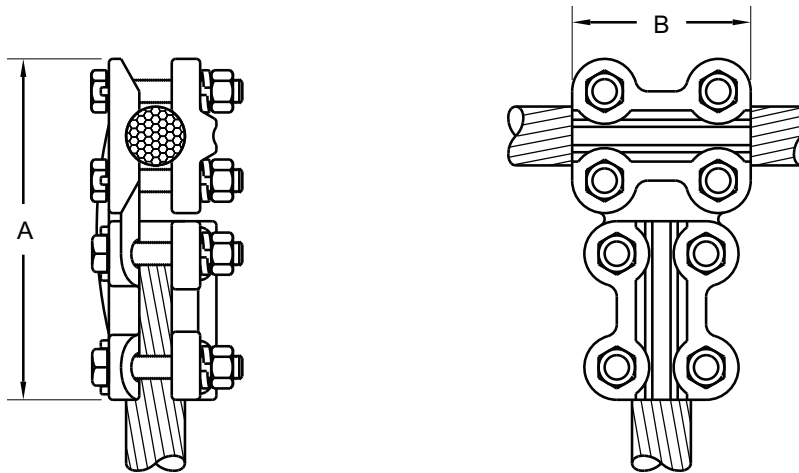


\* 3/8" CLAMPING HARDWARE

CONNECTORS SUPPLIED WITH CLAMPING HARDWARE IN ACCORDANCE WITH NEMA STANDARD (CC 1)

**TYPE 6MT**

**BRONZE TEE CONNECTOR  
CABLE TO CABLE**



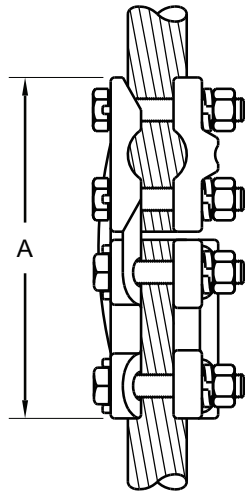
**BRONZE**

HOMAC CATALOG NUMBER	CABLE SIZE		CABLE DIAMETER		A	B
	RUN	TAP	RUN MIN.-MAX.	TAP MIN.-MAX.		
6MT-4/0-4/0E3	#8 - 4/0	#8 - 4/0	.129 - .526	.129 - .526	5 1/4	2 3/4
6MT-50-50	1/0 - 500	1/0 - 500	.368 - .811	.368 - .811		
6MT-60-60E3	#4 - 600	#4 - 600	.232 - .893	.232 - .893		
6MT-100-50	4/0 - 1000	1/0 - 500	.526 - 1.152	.368 - .811	5 7/8	2 5/8
6MT-100-100		4/0 - 1000		.526 - 1.152		
6MT-125-60	900 - 1250	#4 - 600	1.094 - 1.289	.232 - .893	5 3/4	3
6MT-200-60	1500 - 2000		1.413 - 1.631		7	3 1/2

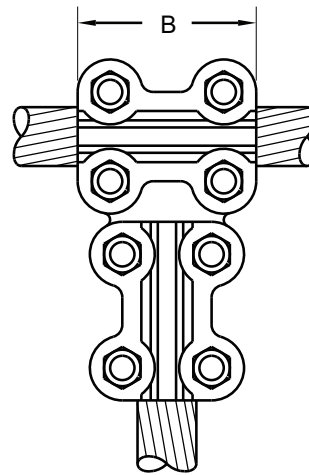
CONNECTORS SUPPLIED WITH 1/2" CLAMPING HARDWARE EXCEPT FOR THE "E3" WHICH ARE 3/8" SIZE

**TYPE 6MK**

UNIVERSAL TEE / COUPLER  
CABLE OR PIPE TO CABLE OR PIPE



THIS ILLUSTRATION REPRESENTS  
A COUPLER TYPE CONFIGURATION



THIS ILLUSTRATION REPRESENTS  
A TEE TYPE CONFIGURATION

HOMAC CATALOG NUMBER	CABLE SIZE		CABLE DIAMETER		PIPE		A	B
	RUN	TAP	RUN MIN.-MAX.	TAP MIN.-MAX.	RUN	TAP		
6MK-80-80E3	#12 - 800	#12 - 800	.092 - 1.030	.092 - 1.030	1/2 - 3/4	1/2 - 3/4	5 3/4	2 3/4
6MK-200-200	500 - 2000	500 - 2000	.811 - 1.631	.811 - 1.631	3/4 - 1 1/4	3/4 - 1 1/4	7 3/8	4

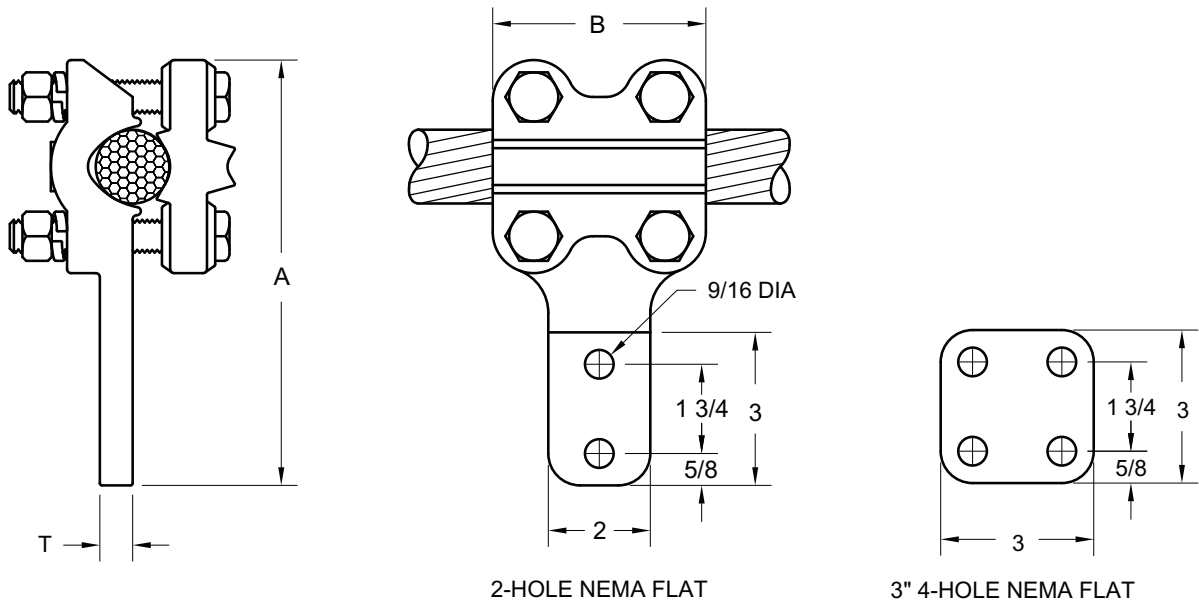
THIS TYPE 6MK UNIVERSAL CONNECTOR CAN BE USED AS A TEE OR COUPLER  
IT WILL ACCOMMODATE A WIDE RANGE OF CABLE JUST BY TURNING THE CAP  
IT WILL ALSO ACCOMMODATE PIPE

CONNECTORS SUPPLIED WITH 1/2" CLAMPING HARDWARE EXCEPT FOR THE "E3" WHICH ARE 3/8" SIZE

**BRONZE**

## TYPE 7MT

TEE CONNECTOR  
CABLE TO FLAT



2-HOLE NEMA FLAT

3" 4-HOLE NEMA FLAT

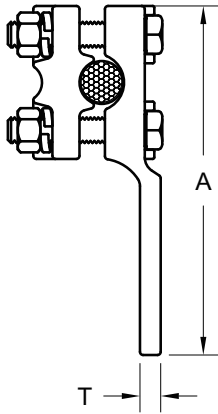
HOMAC CATALOG NUMBER	CABLE SIZE	CABLE DIAMETER MIN.-MAX.	A	B	T
<b>2-HOLE NEMA FLAT</b>					
7MT-60-2N	#4 - 600	.232 - .893	5 1/2	2 3/4	3/8
7MT-100-2N	750 - 1000	.998 - 1.152	7 1/8	3	
7MT-150-2N	600 - 1500	.893 - 1.412	7	3 5/8	
<b>3" 4-HOLE NEMA FLAT</b>					
7MT-60-4N	#4 - 600	.232 - .893	5 1/2	2 3/4	3/8
7MT-100-4N	750 - 1000	.998 - 1.152	6 3/16	2 7/8	7/16
7MT-150-4N	600 - 1500	.893 - 1.412	6 3/4	3 5/8	1/2

CONNECTORS SUPPLIED WITH CLAMPING HARDWARE IN ACCORDANCE WITH NEMA STANDARD (CC 1)  
ALL PADS ARE FINISHED ON BOTH SIDES

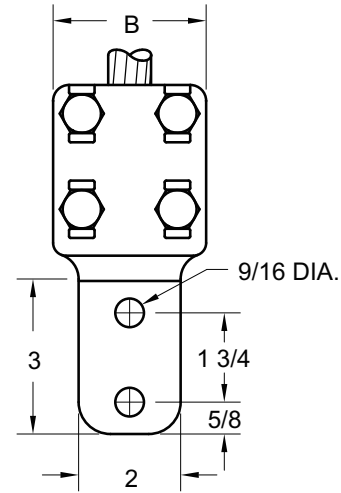
**BRONZE**

## TYPE 7MK

### UNIVERSAL TEE TERMINAL CABLE TO FLAT



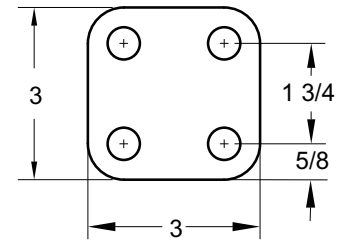
THIS ILLUSTRATION REPRESENTS  
A TEE TYPE CONFIGURATION



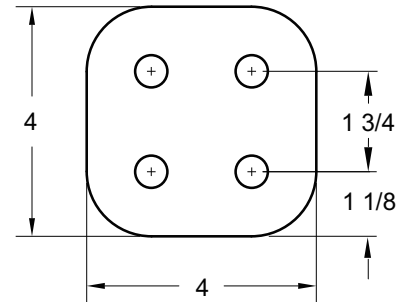
2-HOLE NEMA FLAT

THIS ILLUSTRATION REPRESENTS  
A TERMINAL TYPE CONFIGURATION

HOMAC CATALOG NUMBER	CABLE SIZE	CABLE DIAMETER MIN.-MAX.	SPS	A	B	T
<b>2-HOLE NEMA FLAT</b>						
7MK-80-2N	#2 - 800	.292 - 1.031	3/8 - 3/4	5 7/8	3	3/8
7MK-200-2N	4/0 - 2000	.522 - 1.632	3/8 - 1 1/4		3 3/8	
<b>3" 4-HOLE NEMA FLAT</b>						
7MK-80-4N	#2 - 800	.292 - 1.031	3/8 - 3/4	6 7/8	3	3/8
7MK-200-4N	4/0 - 2000	.522 - 1.632	3/8 - 1 1/4	7	3 3/8	9/16
<b>4" 4-HOLE NEMA FLAT</b>						
7MK-80-4NN	#2 - 800	.292 - 1.031	3/8 - 3/4	8	4	9/16
7MK-200-4NN	4/0 - 2000	.522 - 1.632	3/8 - 1 1/4			



3" 4-HOLE NEMA FLAT



4" 4-HOLE NEMA FLAT

THIS TYPE 7MK UNIVERSAL CONNECTOR CAN BE USED AS  
A TEE OR TERMINAL. IT WILL ACCOMMODATE A WIDE RANGE  
OF CABLE JUST BY TURNING THE CAP.

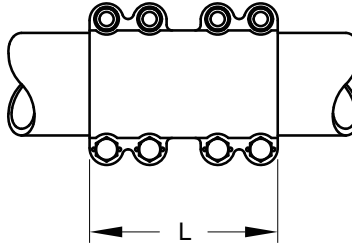
CONNECTORS SUPPLIED WITH CLAMPING HARDWARE IN ACCORDANCE WITH NEMA STANDARD (CC 1)  
ALL PADS ARE FINISHED ON BOTH SIDES

**BRONZE**

**SUBSTATION PRODUCTS**

**TYPE KC**

COUPLER - REDUCER  
PIPE TO PIPE



HOMAC CATALOG NUMBER	RUN SPS	TAP SPS	L
KC-C	1/2	1/2	3 3/8
KC-E	3/4	3/4	4 7/8
KC-F-E	1		
KC-F		1	5 1/8
KC-G-E	1 1/4	3/4	5 3/4
KC-G-F		1	
KC-G		1 1/4	
KC-H-E	1 1/2	3/4	7 5/8
KC-H-F		1	5
KC-H-G		1 1/4	6 5/8
KC-H		1 1/2	
KC-J-E	2	3/4	6
KC-J-F		1	
KC-J-G		1 1/4	7 1/4
KC-J-H		1 1/2	6
KC-J		2	
KC-K-E	2 1/2	3/4	5 3/8
KC-K-F		1	5 1/2
KC-K-G		1 1/4	
KC-K-H		1 1/2	6
KC-K-J		2	7 3/4
KC-K		2 1/2	

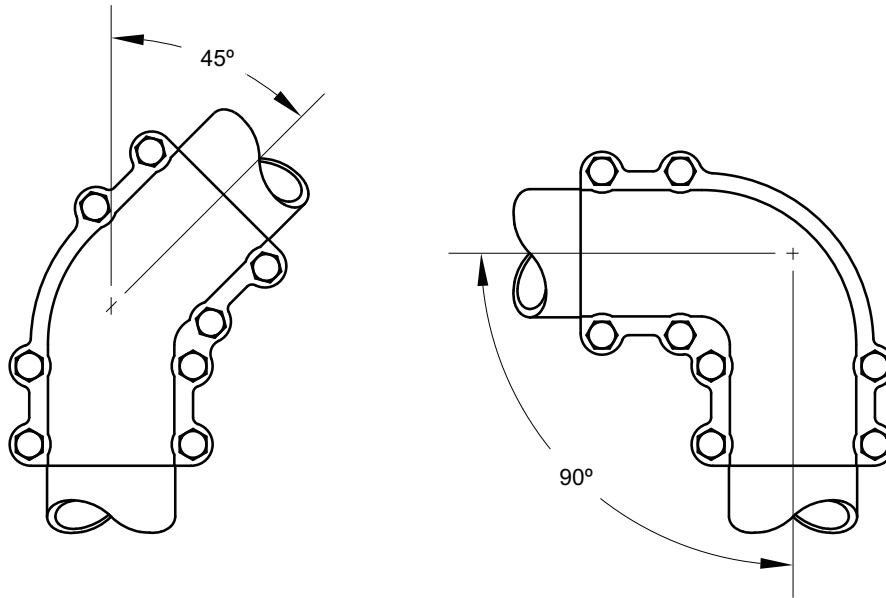
HOMAC CATALOG NUMBER	RUN SPS	TAP SPS	L
KC-L-E	3	3/4	7
KC-L-F		1	
KC-L-G		1 1/4	7 3/4
KC-L-H		1 1/2	
KC-L-J		2	8 1/2
KC-L-K	2 1/2	7 3/4	
KC-L		3	6 5/8
KC-M-F	3 1/2	1	6 1/2
KC-M-G		1 1/4	
KC-M-H		1 1/2	
KC-M-J		2	
KC-M-K		2 1/2	
KC-M-L		3	7 1/4
KC-M	3 1/2		
KC-P-G	4	1 1/4	8
KC-P-H		1 1/2	
KC-P-J		2	8 1/4
KC-P-K		2 1/2	8
KC-P-L		3	9 1/4
KC-P-M		3 1/2	
KC-P		4	10

CONNECTORS SUPPLIED WITH CLAMPING HARDWARE IN ACCORDANCE WITH NEMA STANDARD (CC 1)

**BRONZE**

## TYPE KE

ELBOW  
PIPE TO PIPE



HOMAC CATALOG NO.		RUN & TAP SPS
45 DEGREE	90 DEGREE	
KE-C-45	KE-C-90	1/2
KE-E-45	KE-E-90	3/4
KE-F-45	KE-F-90	1
KE-G-45	KE-G-90	1 1/4
KE-H-45	KE-H-90	1 1/2
KE-J-45	KE-J-90	2
KE-K-45	KE-K-90	2 1/2
KE-L-45	KE-L-90	3
KE-M-45	KE-M-90	3 1/2
KE-P-45	KE-P-90	4

FOR OTHER CONFIGURATIONS, CONSULT THE FACTORY  
CONNECTORS SUPPLIED WITH CLAMPING HARDWARE IN ACCORDANCE WITH NEMA STANDARD (CC 1)

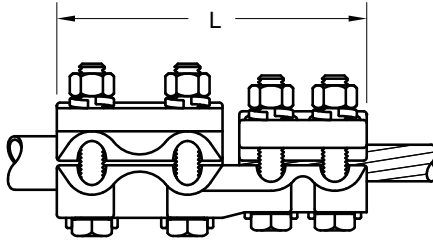
**BRONZE**



**SUBSTATION PRODUCTS**

**TYPE KR**

COUPLER  
PIPE TO CABLE



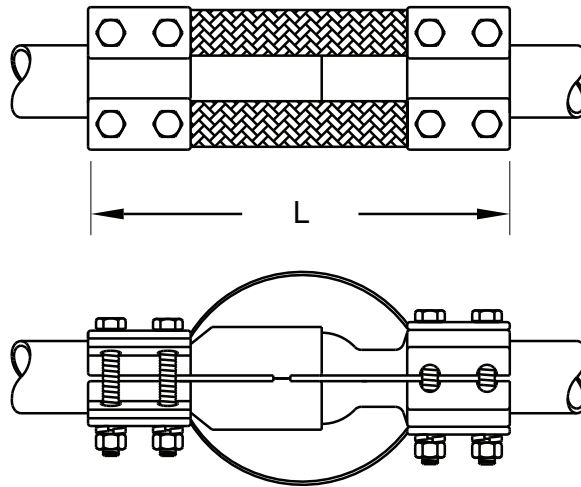
HOMAC CATALOG NUMBER	RUN SPS	CABLE		L
		SIZE	MIN.-MAX.	
KR-E-60	3/4	#4 - 600	.232 - .893	5 1/2
KR-F-60	1			5 3/4
KR-F-80			250 - 800	.574 - 1.030
KR-G-60	1 1/4	#4 - 600	.232 - .893	6 3/8
KR-G-100		4/0 - 1000	.522 - 1.152	4 7/8
KR-H-60	1 1/2	#4 - 600	.232 - .893	6 3/8
KR-H-100		4/0 - 1000	.522 - 1.152	5 3/4
KR-H-125		900 - 1250	1.094 - 1.290	6 3/8
KR-J-60	2	#4 - 600	.232 - .893	
KR-J-100		4/0 - 1000	.522 - 1.152	
KR-J-125		900 - 1250	1.094 - 1.290	
KR-K-60	2 1/2	#4 - 600	.232 - .893	6 5/8
KR-K-100		4/0 - 1000	.522 - 1.152	
KR-K-125		900 - 1250	1.094 - 1.290	
KR-L-60	3	#4 - 600	.232 - .893	
KR-L-100		4/0 - 1000	.522 - 1.152	
KR-L-125		900 - 1250	1.094 - 1.290	

OTHER SIZES AVAILABLE, CONSULT THE FACTORY  
CONNECTORS SUPPLIED WITH CLAMPING HARDWARE IN ACCORDANCE WITH NEMA STANDARD (CC 1)

**BRONZE**

## TYPE VEX

BRAID EXPANSION COUPLER  
PIPE TO PIPE



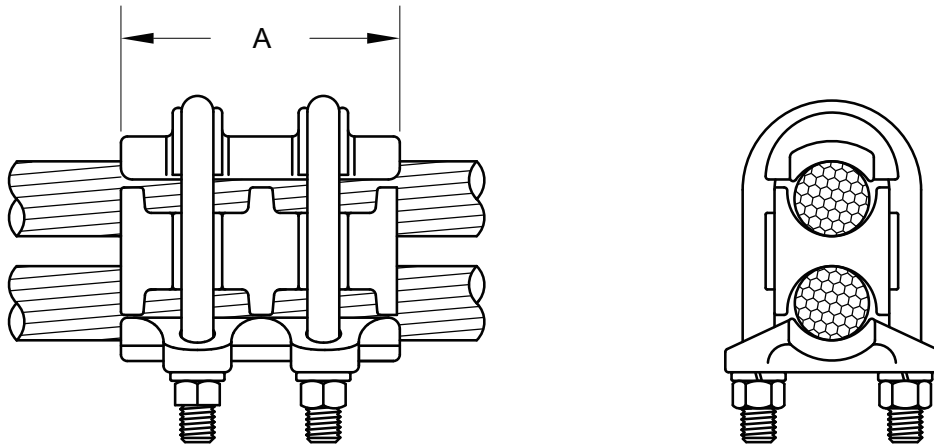
HOMAC CATALOG NUMBER	SPS	L
VEX-E	3/4	10 1/2
VEX-F	1	
VEX-G	1 1/4	12
VEX-H	1 1/2	
VEX-J	2	
VEX-K	2 1/2	12 1/2
VEX-L	3	
VEX-M	3 1/2	13
VEX-P	4	

CONNECTORS SUPPLIED WITH CLAMPING HARDWARE IN ACCORDANCE WITH NEMA STANDARD (CC 1)

**BRONZE**

**TYPE VWU**

**U-BOLT PARALLEL CLAMP  
CABLE TO CABLE**



**BRONZE**

HOMAC CATALOG NUMBER	CABLE SIZE	CABLE DIAMETER MIN.-MAX.	A
VWU2-2/0-2	#2 - 2/0	.258 - .419	2 1/2
VWU2-4/0-1	#1 - 4/0	.332 - .528	2 3/4
VWU2-30-1/0	1/0 - 300	.373 - .630	3 1/4
VWU2-50-4/0	4/0 - 500	.528 - .813	
VWU2-75-30	300 - 750	.630 - .998	3 3/4
VWU2-100-50	500 - 1000	.813 - 1.152	4

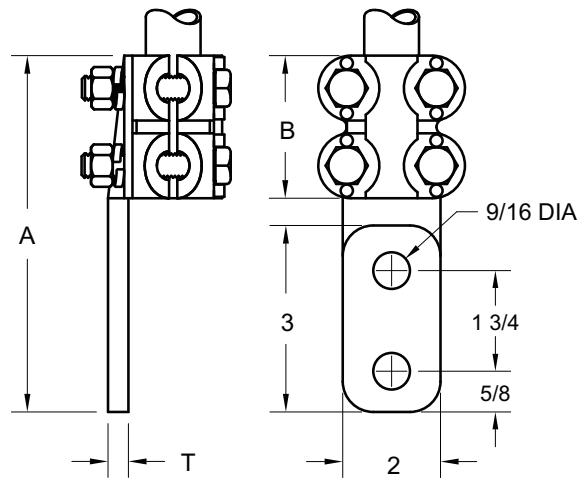
OTHER SIZES AVAILABLE, CONSULT THE FACTORY  
CONNECTORS SUPPLIED WITH CLAMPING HARDWARE IN ACCORDANCE WITH NEMA STANDARD (CC 1)

## TYPE KL

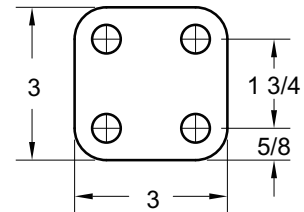
### TERMINAL PIPE TO FLAT

HOMAC CATALOG NUMBER	SPS	A	B	T
<b>2-HOLE NEMA FLAT</b>				
KL-C3-2N *	1/2	6	2 3/16	1/4
KL-E3-2N *	3/4			1/2
KL-E-2N				
KL-F3-2N *	1	7	3	5/8
KL-F-2N				
KL-G-2N	1 1/4	4	5	1 1/8
KL-H-2N	1 1/2			
KL-J-2N	2	8	4 1/8	7/8
KL-K-2N	2 1/2			
KL-L-2N	3	10	5	1 1/8
<b>3" 4-HOLE NEMA FLAT</b>				
KL-C3-4N *	1/2	6	2 3/16	3/8
KL-E3-4N *	3/4			1/2
KL-E-4N				
KL-F3-4N *	1	7	3	5/8
KL-F-4N				
KL-G-4N	1 1/4	8	4 1/8	7/8
KL-H-4N	1 1/2			
KL-J-4N	2	10	5	1 1/8
KL-K-4N	2 1/2			
KL-L-4N	3			
KL-M-4N	3 1/2			
KL-P-4N	4			
<b>4" 4-HOLE NEMA FLAT</b>				
KL-H-4NN	1 1/2	6 3/4	3	5/8
KL-J-4NN	2			1/2
KL-K-4NN	2 1/2	7 1/2	3 7/16	
KL-L-4NN	3			
KL-M-4NN	3 1/2	8	4 1/4	3/4
KL-P-4NN	4	10	4 1/2	1 1/8

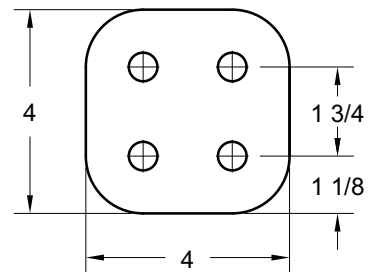
\* 3/8" CLAMPING HARDWARE



2-HOLE NEMA FLAT



3" 4-HOLE NEMA FLAT



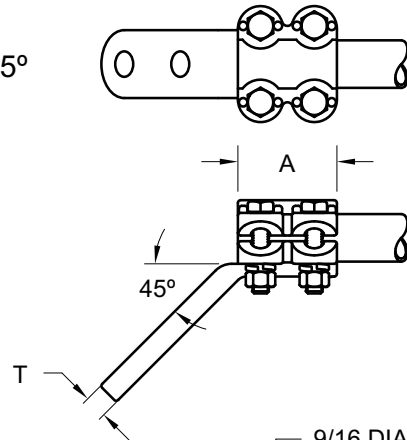
4" 4-HOLE NEMA FLAT

CONNECTORS SUPPLIED WITH CLAMPING HARDWARE IN ACCORDANCE WITH NEMA STANDARD (CC 1)  
ALL PADS ARE FINISHED ON BOTH SIDES

**BRONZE**

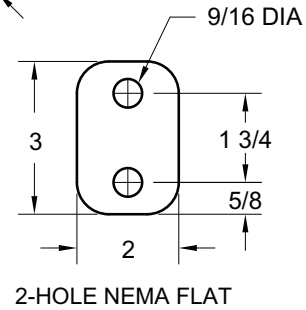
## TYPE KL-45

TERMINAL  
PIPE TO FLAT AT 45°

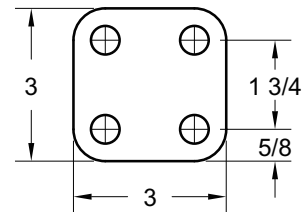


HOMAC CATALOG NUMBER	SPS	A	T
<b>2-HOLE NEMA FLAT</b>			
KL-C3-2N45 *	1/2	2 1/2	1/4
KL-E3-2N45 *	3/4	2 3/16	1/2
KL-E-2N45			
KL-F3-2N45 *	1	3	5/8
KL-F-2N45			
KL-G-2N45	1 1/4	3	5/8
KL-H-2N45	1 1/2		
KL-J-2N45	2		
<b>3" 4-HOLE NEMA FLAT</b>			
KL-C3-4N45 *	1/2	2 1/2	1/2
KL-E3-4N45 *	3/4	2 3/16	
KL-E-4N45			
KL-F3-4N45 *	1	3	5/8
KL-F-4N45			
KL-G-4N45	1 1/4	3	3/4
KL-H-4N45	1 1/2		
KL-J-4N45	2		
KL-K-4N45	2 1/2	3 3/4	3/4
KL-L-4N45	3		
<b>4" 4-HOLE NEMA FLAT</b>			
KL-J-4NN45	2	3	3/4
KL-K-4NN45	2 1/2		
KL-L-4NN45	3	3 3/4	1
KL-M-4NN45	3 1/2	4 1/8	1
KL-P-4NN45	4	4 3/4	1 1/8

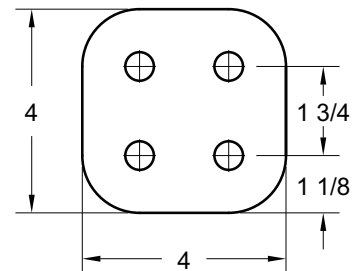
\*3/8" CLAMPING HARDWARE



2-HOLE NEMA FLAT



3" 4-HOLE NEMA FLAT



4" 4-HOLE NEMA FLAT

CONNECTORS SUPPLIED WITH CLAMPING HARDWARE IN ACCORDANCE WITH NEMA STANDARD (CC 1)  
ALL PADS ARE FINISHED ON BOTH SIDES

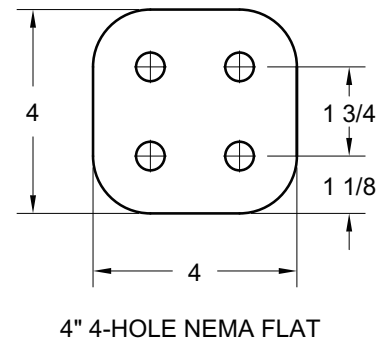
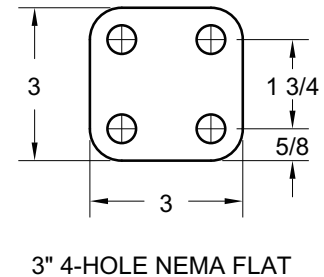
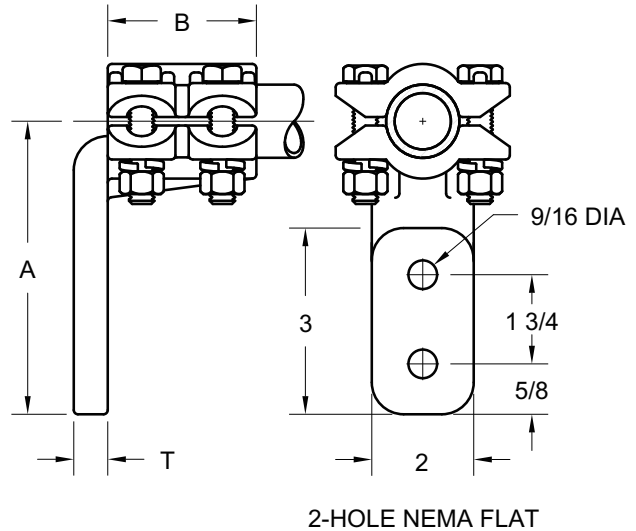
## TYPE KL-90

TERMINAL  
PIPE TO FLAT AT 90°

HOMAC CATALOG NUMBER	SPS	A	B	T
<b>2-HOLE NEMA FLAT</b>				
KL-C3-2N90 *	1/2	4 3/8	2 3/16	1/2
KL-E3-2N90 *	3/4		3 1/4	
KL-F3-2N90 *	1	4 3/4	2 3/16	
KL-G-2N90	1 1/4	4 3/4	3	5/8
KL-H-2N90	1 1/2	5		9/16
KL-J-2N90	2	6 1/4	4	
<b>3" 4-HOLE NEMA FLAT</b>				
KL-C3-4N90 *	1/2	4 3/16	2 5/8	3/8
KL-E3-4N90 *	3/4	4 1/2	2 3/16	1/2
KL-F3-4N90 *	1			
KL-G-4N90	1 1/4	5	2 3/8	
KL-H-4N90	1 1/2	4 1/2	2 11/16	
KL-J-4N90	2	5 7/8	3	1/2
KL-K-4N90	2 1/2			
KL-L-4N90	3	6 1/8	3 3/4	5/8
KL-M-4N90	3 1/2	5 1/4	4	3/4
KL-L-4N90	4			
<b>4" 4-HOLE NEMA FLAT</b>				
KL-G-4NN90	1 1/4	5	2 3/8	3/8
KL-H-4NN90	1 1/2	4 1/2	2 11/16	
KL-J-4NN90	2	5 7/8	3	1/2
KL-K-4NN90	2 1/2			5/8
KL-L-4NN90	3	6 1/2	5	7/8
KL-M-4NN90	3 1/2			
KL-P-4NN90	4	7 1/4	3 3/4	1

\* 3/8" CLAMPING HARDWARE

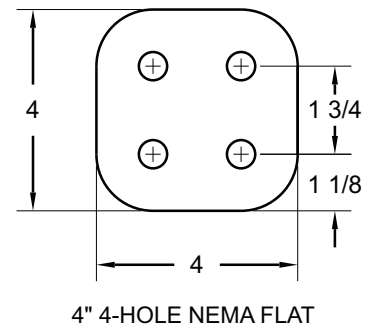
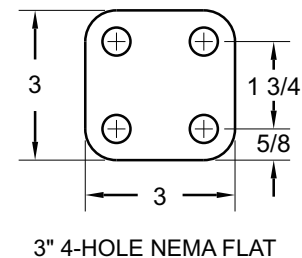
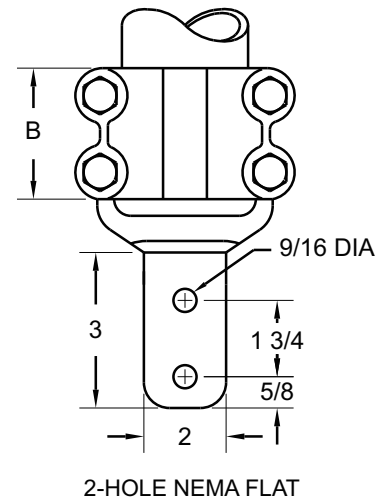
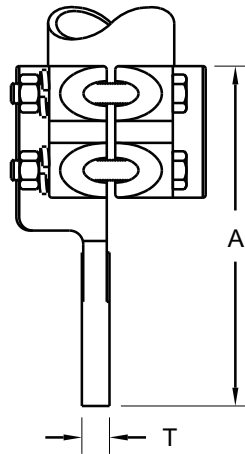
OTHER SIZES AVAILABLE, CONSULT THE FACTORY  
CONNECTORS SUPPLIED WITH CLAMPING HARDWARE IN ACCORDANCE WITH NEMA STANDARD (CC 1)  
ALL PADS ARE FINISHED ON BOTH SIDES



## TYPE KLC

BOLTED TERMINAL  
PIPE TO FLAT  
CENTER FORMED FLAT

HOMAC CATALOG NUMBER	SPS	A	B	T
<b>2-HOLE NEMA FLAT</b>				
KLC-E-2N	3/4	6 5/8	3	1/2
KLC-F-2N	1	6 3/4		
KLC-G-2N	1 1/4	7 3/4		
KLC-H-2N	1 1/2	7 1/4		
KLC-J-2N	2	7 7/16		
KLC-K-2N	2 1/2	7 1/2	3 3/4	5/8
KLC-L-2N	3	8		3/4
<b>3" 4-HOLE NEMA FLAT</b>				
KLC-E-4N	3/4	6 1/2	3	1/2
KLC-F-4N	1	6 3/4		
KLC-G-4N	1 1/4	6 1/2		
KLC-H-4N	1 1/2	7 7/16		
KLC-J-4N	2	7 1/2		
KLC-K-4N	2 1/2	7 1/2	4 1/4	5/8
KLC-L-4N	3	8		3/4
KLC-M-4N	3 1/2	9 1/2	4 1/4	7/8
KLC-P-4N	4	9 5/8		7/8
<b>4" 4-HOLE NEMA FLAT</b>				
KLC-E-4NN	3/4	6 1/2	3	1/2
KLC-F-4NN	1	7 5/8		
KLC-G-4NN	1 1/4	8 1/8		
KLC-H-4NN	1 1/2	8 1/4		
KLC-J-4NN	2	7 3/4		
KLC-K-4NN	2 1/2	8	3 3/4	3/4
KLC-L-4NN	3	9 3/8		13/16
KLC-M-4NN	3 1/2	10 1/2	4 1/4	7/8
KLC-P-4NN	4	10 1/4		7/8

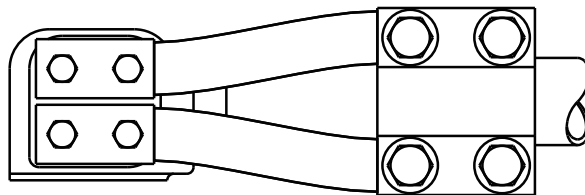
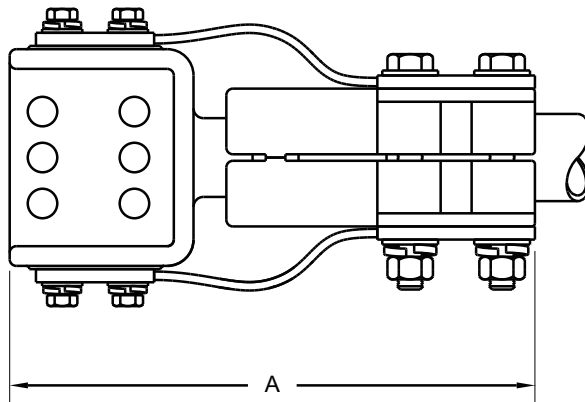


CONNECTORS SUPPLIED WITH CLAMPING HARDWARE IN ACCORDANCE WITH NEMA STANDARD (CC 1)  
ALL PADS ARE FINISHED ON BOTH SIDES

**BRONZE**

## TYPE VEZ

FLEXIBLE TERMINAL  
PIPE TO FLAT



HOMAC CATALOG NUMBER	SPS	A
<b>2-HOLE OR 3" 4-HOLE NEMA FLAT</b>		
VEZ-E-2/4N	3/4	10 1/2
VEZ-F-2/4N	1	
VEZ-G-2/4N	1 1/4	11
VEZ-H-2/4N	1 1/2	
VEZ-J-2/4N	2	
VEZ-K-2/4N	2 1/2	11 1/2
VEZ-L-2/4N	3	

CONNECTORS SUPPLIED WITH CLAMPING HARDWARE IN ACCORDANCE WITH NEMA STANDARD (CC 1)

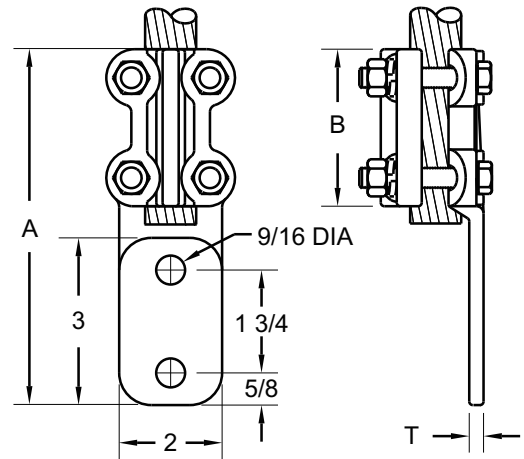


## TYPE 7ME & 7M

### TERMINAL CABLE TO FLAT

#### 3/8" CLAMPING HARDWARE

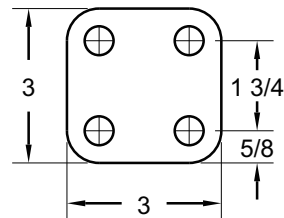
HOMAC CATALOG NUMBER	CABLE SIZE	CABLE DIAMETER MIN.-MAX.	A	B	T
<b>2-HOLE NEMA FLAT</b>					
7ME-4/0-2N	#8 - 4/0	.146 - .528	6	2 3/4	1/4
7ME-60-2N	#4 - 600	.232 - .893			
7ME-80-2N	2/0 - 800	.419 - 1.031			
<b>3" 4-HOLE NEMA FLAT</b>					
7ME-60-4N	#4 - 600	.232 - .893	6	2 3/4	1/4
7ME-80-4N	2/0 - 800	.419 - 1.031	6 1/8	2 5/8	1/2



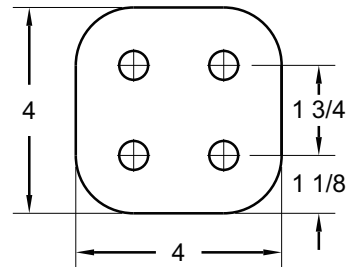
2-HOLE NEMA FLAT

#### 1/2" CLAMPING HARDWARE

HOMAC CATALOG NUMBER	CABLE SIZE	CABLE DIAMETER MIN.-MAX.	A	B	T
<b>2-HOLE NEMA FLAT</b>					
7M-60-2N	#4 - 600	.232 - .893	6 1/2	3	1/2
7M-80-2N	2/0 - 800	.494 - 1.031	5 7/8	2 3/16	
7M-125-2N	4/0 - 1250	.528 - 1.289	6 3/4	3	5/8
7M-200-2N	500 - 2000	.813 - 1.630			
<b>3" 4-HOLE NEMA FLAT</b>					
7M-60-4N	#4 - 600	.232 - .893	5 3/4	2 1/2	3/8
7M-80-4N	2/0 - 800	.419 - 1.031	5 7/8	2 3/16	1/2
7M-125-4N	4/0 - 1250	.528 - 1.289	6 3/4	3	5/8
7M-200-4N	500 - 2000	.813 - 1.630			
<b>4" 4-HOLE NEMA FLAT</b>					
7M-80-4NN	2/0 - 800	.419 - 1.031	6 3/4	2 3/16	3/8
7M-125-4NN	4/0 - 1250	.528 - 1.289	7 1/4	3	5/8
7M-200-4NN	500 - 2000	.813 - 1.630			



3" 4-HOLE NEMA FLAT



4" 4-HOLE NEMA FLAT

CONNECTORS SUPPLIED WITH CLAMPING HARDWARE IN ACCORDANCE WITH NEMA STANDARD (CC 1)  
ALL PADS ARE FINISHED ON BOTH SIDES

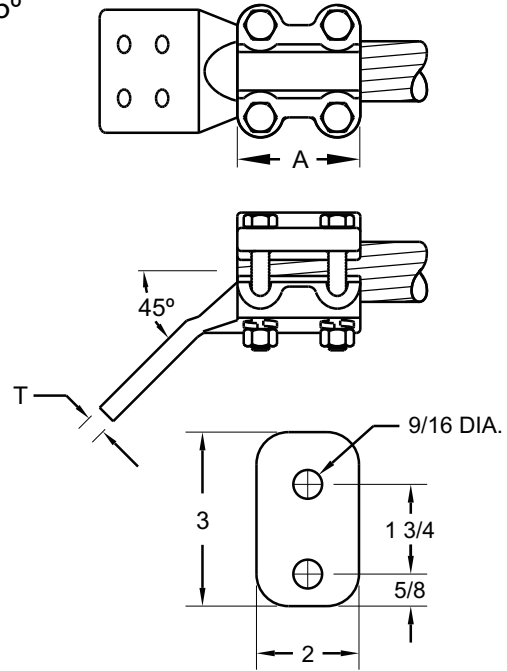
**BRONZE**

**TYPE 7ME-45 & 7M-45**

TERMINAL  
CABLE TO FLAT AT 45°

**3/8" CLAMPING HARDWARE**

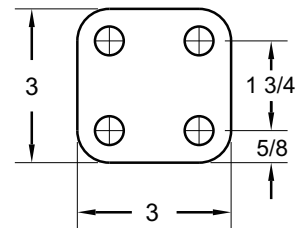
HOMAC CATALOG NUMBER	CABLE SIZE	CABLE DIAMETER MIN.-MAX.	A	T
<b>2-HOLE NEMA FLAT</b>				
7ME-60-2N45	#4 - 600	.232 - .893	2 3/4	1/2
<b>3" 4-HOLE NEMA FLAT</b>				
7ME-60-4N45	#4 - 600	.232 - .893	3	1/2



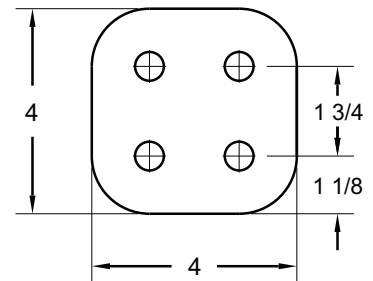
2-HOLE NEMA FLAT

**1/2" CLAMPING HARDWARE**

HOMAC CATALOG NUMBER	CABLE SIZE	CABLE DIAMETER MIN.-MAX.	A	T
<b>2-HOLE NEMA FLAT</b>				
7M-60-2N45	#4 - 600	.232 - .893	3	1/2
7M-100-2N45	4/0 - 1000	.528 - 1.152		
<b>3" 4-HOLE NEMA FLAT</b>				
7M-60-4N45	#4 - 600	.232 - .893	3	1/2
7M-100-4N45	4/0 - 1000	.528 - 1.152		
<b>4" 4-HOLE NEMA FLAT</b>				
7M-100-4NN45	4/0 - 1000	.528 - 1.152	3	1/2
7M-200-4NN45	500 - 2000	.813 - 1.630		5/8



3" 4-HOLE NEMA FLAT



4" 4-HOLE NEMA FLAT

CONNECTORS SUPPLIED WITH CLAMPING HARDWARE IN ACCORDANCE WITH NEMA STANDARD (CC 1)  
ALL PADS ARE FINISHED ON BOTH SIDES

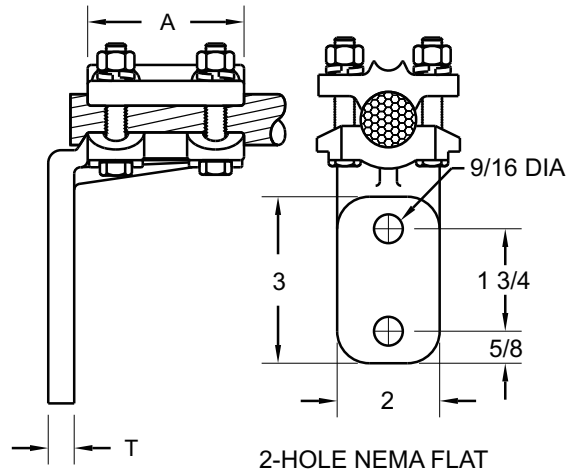
**BRONZE**

## TYPE 7ME-90 & 7M-90

TERMINAL  
CABLE TO FLAT AT 90°

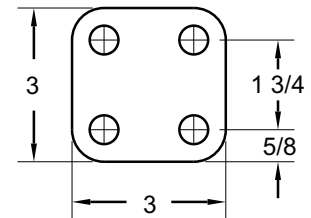
### 3/8" CLAMP HARDWARE

HOMAC CATALOG NUMBER	CABLE SIZE	CABLE DIAMETER MIN.-MAX.	A	T
<b>2-HOLE NEMA FLAT</b>				
7ME-60-2N90	#4 - 600	.232 - .893	2 3/4	1/2
7ME-80-2N90	2/0 - 800	.419 - 1.031	2 5/8	
<b>3" 4-HOLE NEMA FLAT</b>				
7ME-60-4N90	#4 - 600	.232 - .893	2 3/4	1/2
7ME-80-4N90	2/0 - 800	.419 - 1.031	2 5/8	

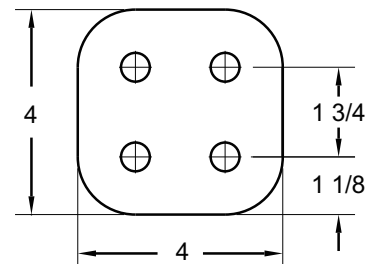


### 1/2" CLAMP HARDWARE

HOMAC CATALOG NUMBER	CABLE SIZE	CABLE DIAMETER MIN.-MAX.	A	T
<b>2-HOLE NEMA FLAT</b>				
7M-60-2N90	#4 - 600	.232 - .893	3	1/2
7M-80-2N90	2/0 - 800	.419 - 1.031	2 3/16	
7M-100-2N90	4/0 - 1000	.528 - 1.152	3	5/8
<b>3" 4-HOLE NEMA FLAT</b>				
7M-60-4N90	#4 - 600	.232 - .893	3	1/2
7M-80-4N90	2/0 - 800	.419 - 1.031	2 3/16	
7M-100-4N90	4/0 - 1000	.528 - 1.152	3	3/8
<b>4" 4-HOLE NEMA FLAT</b>				
7M-100-4NN90	4/0 - 1000	.528 - 1.152	3	5/8
7M-200-4NN90	500 - 2000	.813 - 1.630		



3" 4-HOLE NEMA FLAT



4" 4-HOLE NEMA FLAT

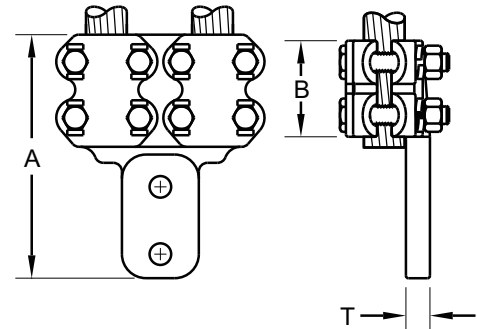
CONNECTORS SUPPLIED WITH CLAMPING HARDWARE IN ACCORDANCE WITH NEMA STANDARD (CC 1)  
ALL PADS ARE FINISHED ON BOTH SIDES

**BRONZE**

## TYPE 7MM & 7MM1

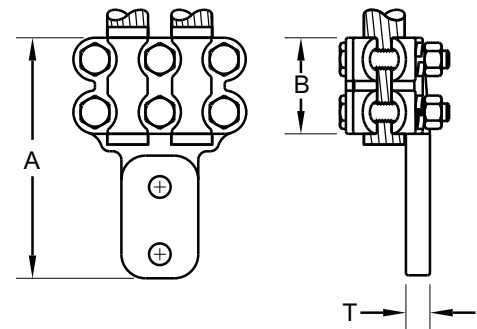
TERMINAL  
(2) CABLES TO FLAT

HOMAC CATALOG NUMBER	CABLE SIZE	CABLE DIAMETER MIN.-MAX.	A	B	T
<b>2-HOLE NEMA FLAT</b>					
7MM-100-2N	4/0 - 1000	.528 - 1.152	7 1/8	3 3/8	1/2
<b>3" 4-HOLE NEMA FLAT</b>					
7MM-100-4N	4/0 - 1000	.528 - 1.152	7 1/8	3 5/8	1/2
7MM-200-4N	500 - 2000	.813 - 1.630	8 5/8	4 1/2	
<b>4" 4-HOLE NEMA FLAT</b>					
7MM-100-4NN	4/0 - 1000	.528 - 1.152	7 5/8	3 3/8	7/16
7MM-200-4NN	500 - 2000	.813 - 1.630	8 3/4	4 1/2	1/2

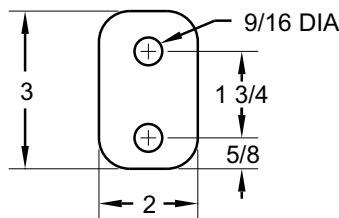


(2) CAP DESIGN

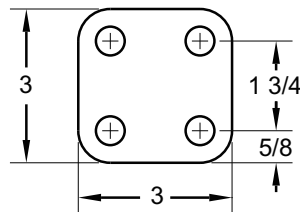
<b>2-HOLE NEMA FLAT</b>					
7MM1-60-2N	#4 - 600	.232 - .893	6 1/4	2 3/4	1/2
7MM1-80-2N	2/0 - 800	.419 - 1.031			
<b>3" 4-HOLE NEMA FLAT</b>					
7MM1-60-4N	#4 - 600	.232 - .893	6 1/4	2 3/4	3/4
7MM1-80-4N	2/0 - 800	.419 - 1.031	6 5/8	2 5/8	1/2
7MM1-100-4N	4/0 - 1000	.528 - 1.152			
<b>4" 4-HOLE NEMA FLAT</b>					
7MM1-60-4NN	#4 - 600	.232 - .893	7 1/4	2 3/4	1/2
7MM1-80-4NN	2/0 - 800	.419 - 1.031	7 1/8	2 5/8	
7MM1-100-4NN	4/0 - 1000	.528 - 1.152			



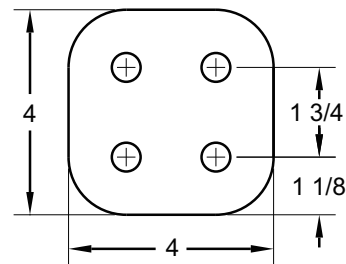
(1) CAP DESIGN



2-HOLE NEMA FLAT



3" 4-HOLE NEMA FLAT



4" 4-HOLE NEMA FLAT

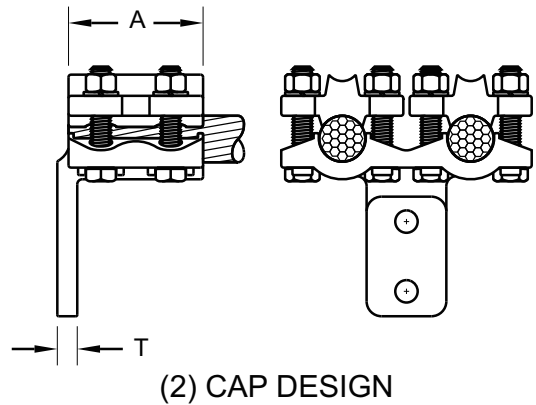
CONNECTORS SUPPLIED WITH CLAMPING HARDWARE IN ACCORDANCE WITH NEMA STANDARD (CC 1)  
ALL PADS ARE FINISHED ON BOTH SIDES

**BRONZE**

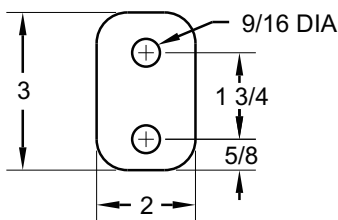
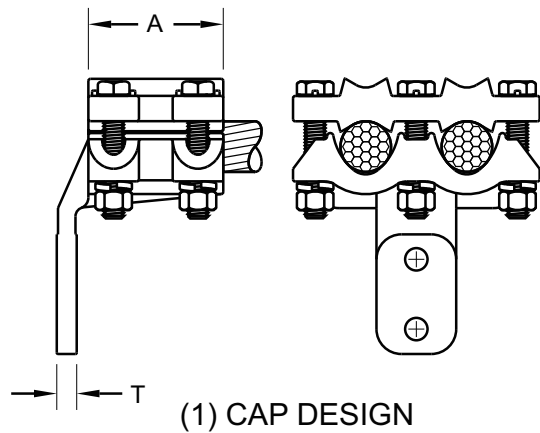
## TYPE 7MM-90 & 7MM1-90

TERMINAL  
(2) CABLES TO FLAT AT 90°

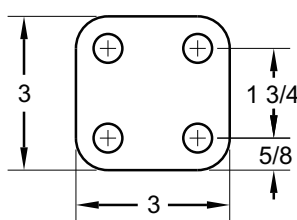
HOMAC CATALOG NUMBER	CABLE SIZE	CABLE DIAMETER MIN.-MAX.	A	T
<b>2-HOLE NEMA FLAT</b>				
7MM-100-2N90	4/0 - 1000	.528 - 1.152	3 3/8	1/2
<b>3" 4-HOLE NEMA FLAT</b>				
7MM-60-2N90	#2 - 600	.232 - .893	3	1/2
7MM-100-4N90	4/0 - 1000	.528 - 1.152	3 5/8	
7MM-200-4N90	500 - 2000	.813 - 1.630	4 1/2	
<b>4" 4-HOLE NEMA FLAT</b>				
7MM-100-4NN90	4/0 - 1000	.528 - 1.152	3 3/8	7/16
7MM-200-4NN90	500 - 2000	.813 - 1.630	4 1/2	1/2



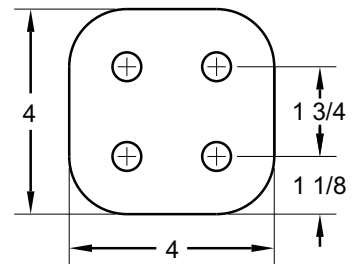
<b>2-HOLE NEMA FLAT</b>				
7MM1-60-2N90	#4 - 600	.232 - .893	2 3/4	1/2
7MM1-80-2N90	2/0 - 800	.419 - 1.031		
<b>3" 4-HOLE NEMA FLAT</b>				
7MM1-60-4N90	#4 - 600	.232 - .893	2 3/4	3/4
7MM1-80-4N90	2/0 - 800	.419 - 1.031	2 5/8	1/2
7MM1-100-4N90	4/0 - 1000	.528 - 1.152		
<b>4" 4-HOLE NEMA FLAT</b>				
7MM1-60-4NN90	#4 - 600	.232 - .893	2 3/4	1/2
7MM1-80-4NN90	2/0 - 800	.419 - 1.031	2 5/8	
7MM1-100-4NN90	4/0 - 1000	.528 - 1.152		



2-HOLE NEMA FLAT



3" 4-HOLE NEMA FLAT

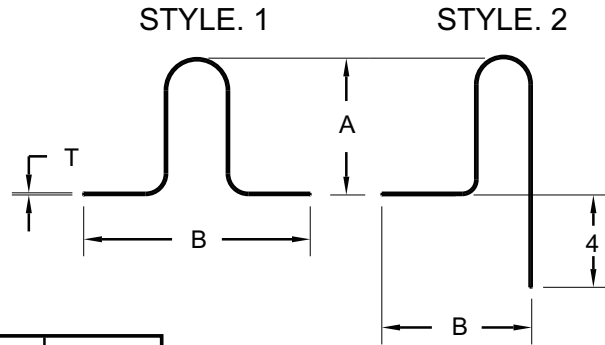


4" 4-HOLE NEMA FLAT

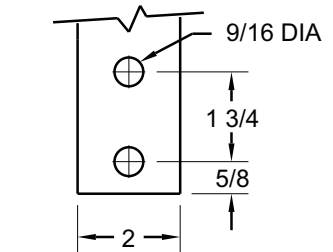
CONNECTORS SUPPLIED WITH CLAMPING HARDWARE IN ACCORDANCE WITH NEMA STANDARD (CC 1)  
ALL PADS ARE FINISHED ON BOTH SIDES

**TYPE VLS**

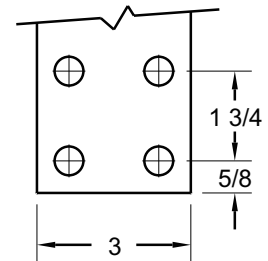
**FLEXIBLE COPPER STRAPS**



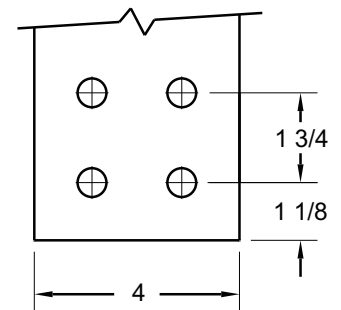
HOMAC CATALOG NUMBER	STYLE	A	B	T	AMPS
<b>2-HOLE NEMA FLAT</b>					
VLS1-440-2N	1	6	11 1/4	1/8	440
VLS1-640-2N				1/4	640
VLS1-860-2N				3/8	860
<b>3" 4-HOLE NEMA FLAT</b>					
VLS1-690-4N	1	8	13 1/4	1/8	690
VLS1-970-4N		8 1/8		1/4	970
VLS1-1200-4N		8		3/8	1200
<b>4" 4-HOLE NEMA FLAT</b>					
VLS1-900-4NN	1	8	13 1/4	1/8	900
VLS1-1200-4NN				1/4	1200
VLS1-1440-4NN				3/8	1440
<b>2-HOLE NEMA FLAT</b>					
VLS2-440-2N	2	6	7 5/8	1/8	440
VLS2-640-2N				1/4	640
VLS2-860-2N				3/8	860
<b>3" 4-HOLE NEMA FLAT</b>					
VLS2-690-4N	2	8	8 5/8	1/8	690
VLS2-970-4N				1/4	970
VLS2-1200-4N				3/8	1200
<b>4" 4-HOLE NEMA FLAT</b>					
VLS2-900-4NN	2	8	8 5/8	1/8	900
VLS2-1200-4NN				1/4	1200
VLS2-1440-4NN				3/8	1440



2-HOLE NEMA FLAT



3" 4-HOLE NEMA FLAT

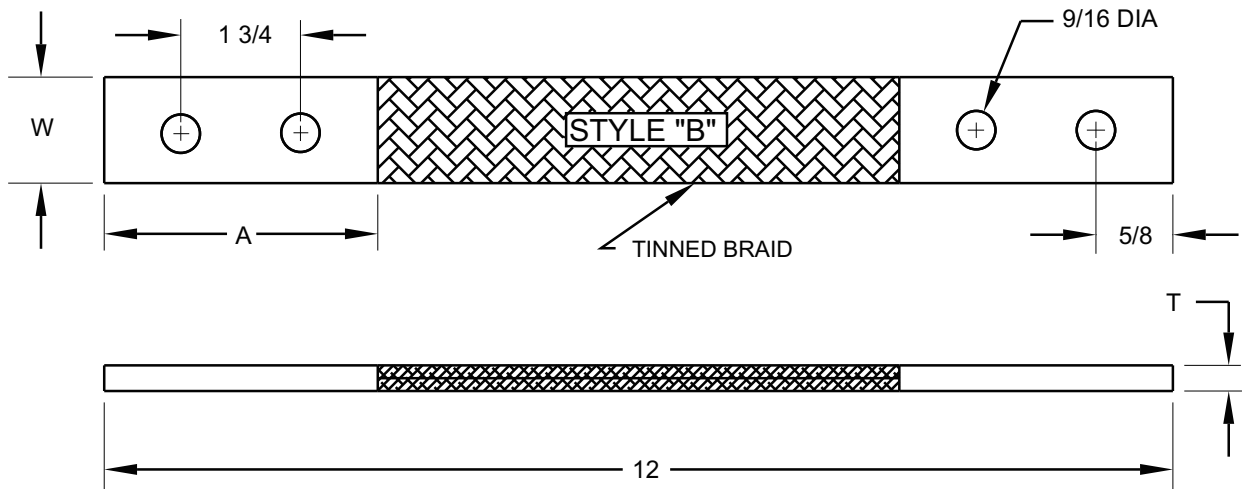
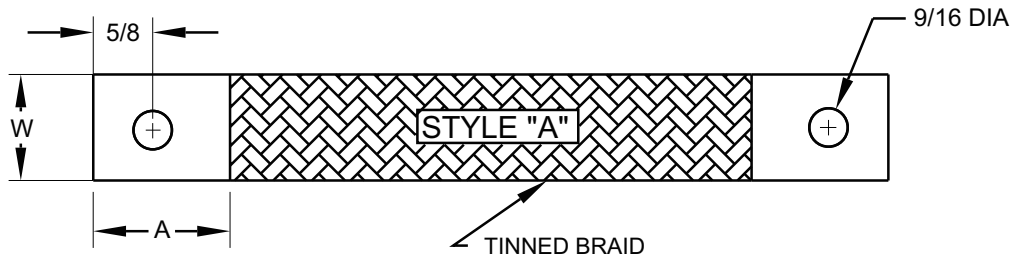


4" 4-HOLE NEMA FLAT

**BRONZE**

**TYPE VGG**

**FLEXIBLE BRAID JUMPERS  
FLAT TO FLAT**



**BRONZE**

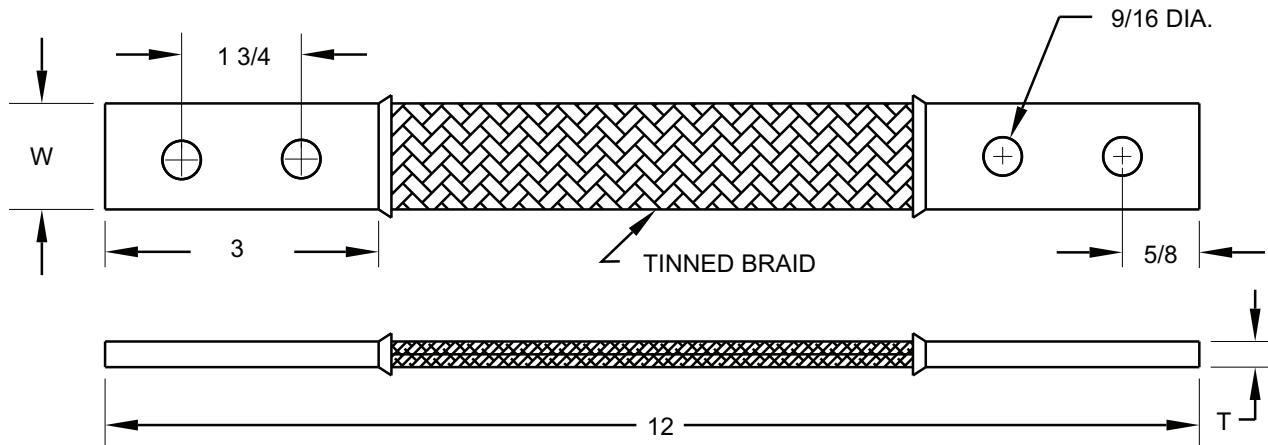
HOMAC CATALOG NUMBER	AMPS		A	STYLE	BRAID LAYERS	W	T
	OUTDOOR	INDOOR					
GA-397-L	210	160	1 1/4	A	1	1 1/4	1/4
GA-398-U	365	280			2		
GA-399-T	440	340			3		
GB-8819-E	700	530			2	2	7/16
GA-397-I	210	160	3	B	1	1 1/4	1/4
GA-398-G	365	280			2		
GA-399-B	440	340			3		
GB-8819-C	700	530			2	2	7/16

FOR OTHER SIZES AND CONFIGURATIONS, CONSULT THE FACTORY

**SUBSTATION PRODUCTS**

**TYPE FB**

FLEXIBLE BRAIDED JUMPERS  
FERRULES FORMED WITH CUFF  
FLAT TO FLAT



HOMAC CATALOG NUMBER	AMPS INDOOR	W	T	BRAID LAYERS
FB11-2N	210	1	1/8	1
FB12-2N	340	1 1/8	3/16	2
FB13-2N	470	1 1/4	1/4	3
FB14-2N	600		3/8	4
FB21-2N	330		1/4	1
FB22-2N	500	1 1/2	5/16	2
FB23-2N	700	1 5/8	1/2	3
FB24-2N	850			4
FB31-2N	395	1 1/2	1/8	1
FB32-2N	540		3/8	2
FB33-2N	820		1/2	3
FB34-2N	940		3/4	4
FB41-2N	430		1/4	1
FB42-2N	700		1/2	2
FB43-2N	960		3/4	3
FB44-2N	1200		1 5/8	7/8

FOR OTHER SIZES AND CONFIGURATIONS, CONSULT THE FACTORY

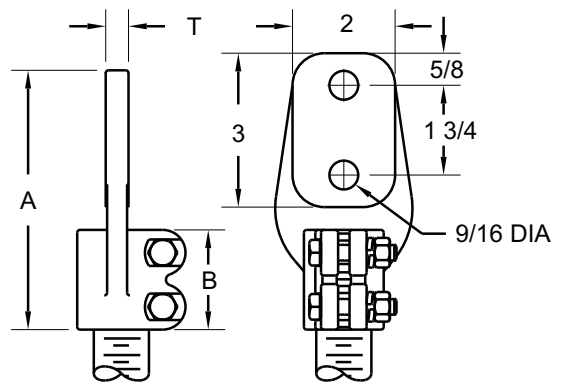
**BRONZE**



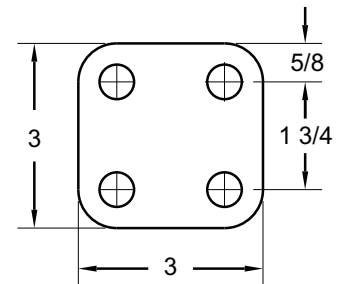
## TYPE KSLC

### STUD CONNECTOR STUD TO FLAT

HOMAC CATALOG NUMBER	STUD SIZE	A	B	T	AMPS
<b>2-HOLE NEMA FLAT</b>					
KSLC-3-2N	3/4-16	5 3/4	1 1/2	3/8	600
KSLC-5-2N	1-14	5 1/4			
KSLC-6-2N	1 1/8-12	6 1/8	2 3/16		
KSLC-8-2N	1 1/4-12				
KSLC-10-2N	1 1/2-12	7 3/8	2 5/8	9/16	
KSLC-11B-2N	1 3/4-12	6 3/4	2 1/2	5/8	
KSLC-13-2N	2-12	7 1/4			
KSLC-13A-2N	2 1/4-12	7 3/8	2 5/8		
<b>3" 4-HOLE NEMA FLAT</b>					
KSLC-3-4N	3/4-16	5 3/8	1 1/2	3/8	600
KSLC-5-4N	1-14	5 1/4			
KSLC-6-4N	1 1/8-12	6 1/8	2 3/16	9/16	1200
KSLC-8-4N	1 1/4-12				
KSLC-10-4N	1 1/2-12	7 3/8	2 1/4		
KSLC-11B-4N	1 3/4-12	6 3/4	2 1/2	5/8	1800
KSLC-13-4N	2-12	7 1/4			
KSLC-13A-4N	2 1/4-12	7 3/8			
KSLC-15-4N	3-12	10 1/4	3 1/4	1	2400
KSLC-15A-4N	3 1/2-12	8 1/4			



2-HOLE NEMA FLAT

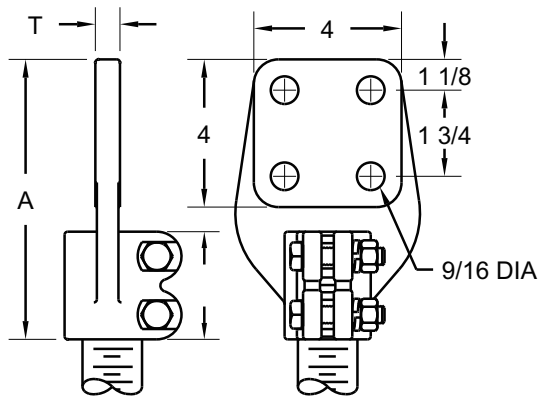


3" 4-HOLE NEMA FLAT

CONNECTORS SUPPLIED WITH CLAMPING HARDWARE IN ACCORDANCE WITH NEMA STANDARD (CC 1)  
ALL PADS ARE FINISHED ON BOTH SIDES.

## TYPE KSLC

### STUD CONNECTOR STUD TO FLAT



4" 4-HOLE NEMA FLAT

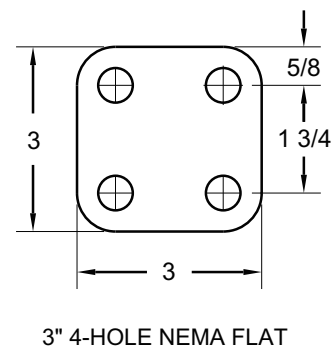
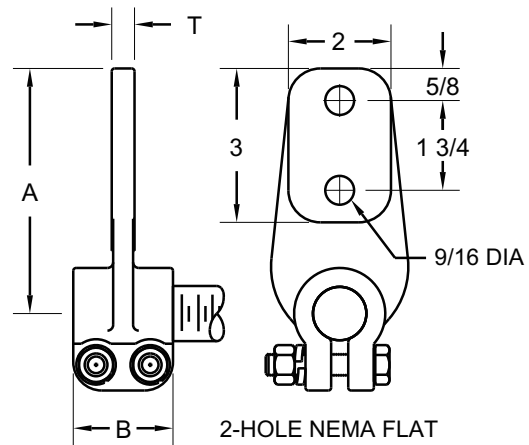
HOMAC CATALOG NUMBER	STUD SIZE	A	B	T	AMPS
<b>4" 4-HOLE NEMA FLAT</b>					
KSLC-5-4NN	1-14	6 1/2	2 1/4		1600
KSLC-6-4NN	1 1/8-12	6 11/16	2	1/2	
KSLC-8-4NN	1 1/4-12		2		
KSLC-10-4NN	1 1/2-12	8	2 1/4	5/8	2400
KSLC-11B-4NN	1 3/4-12	8 1/4	2 1/2	1/2	
KSLC-13-4NN	2-12	7 5/8	2 3/8	5/8	3000
KSLC-13-4NN-3KA				1	
KSLC-13A-4NN	2 1/4-12	8 1/8	3 1/8	3/4	2400
KSLC-13A-4NN-3KA		7 5/8	2 3/8	1	3000
KSLC-13B-4NN	2 1/2-12	8 1/8	3 1/8	3/4	2400
KSLC-13B-4NN-3KA		8 3/4	3 1/4	1	3000
KSLC-15-4NN	3-12	9 1/8	4	3/4	2400
KSLC-15-4NN-3KA		8 11/16	3 1/4	1	3000
KSLC-15-4NN-4KA		9 3/4	4	1 1/4	4000
KSLC-15A-4NN	3 1/2-12	9 9/16	4 1/8	3/4	2400
KSLC-15A-4NN-4KA		8 3/4	3 1/4	1 1/4	4000
KSLC-16-4NN	4-12	9 1/2	4 1/8	1	3000
KSLC-16-4NN-4KA		9 3/4	4	1 1/4	4000
KSLC-17-4NN	4-10	9 1/2	4 1/8	1	3000
KSLC-17-4NN-4KA				1 1/4	4000

CONNECTORS SUPPLIED WITH CLAMPING HARDWARE IN ACCORDANCE WITH NEMA STANDARD (CC 1)  
ALL PADS ARE FINISHED ON BOTH SIDES.

## TYPE KSLF

STUD CONNECTOR  
STUD TO FLAT AT 90°

HOMAC CATALOG NUMBER	STUD SIZE	A	B	T
<b>2-HOLE NEMA FLAT</b>				
KSLF-3-2N	3/4-16	4 3/16	2 3/16	5/8
KSLF-5-2N	1-14	4 1/8	2	7/16
KSLF-6-2N	1 1/8-12	4 1/4	2 1/4	1/2
KSLF-8-2N	1 1/4-12			
KSLF-10-2N	1 1/2-12	4 1/2	2 1/4	9/16
KSLF-11B-2N	1 3/4-12			
KSLF-13-2N	2-12	4 1/4		
KSLF-13A-2N	2 1/4-12	5 5/8	2 1/2	5/8
<b>3" 4-HOLE NEMA FLAT</b>				
KSLF-3-4N	3/4-16	4 3/16	2 3/16	5/8
KSLF-5-4N	1-14	4 1/4	2 1/4	1/2
KSLF-6-4N	1 1/8-12			
KSLF-8-4N	1 1/4-12	4 1/2	2 1/4	1/2
KSLF-10-4N	1 1/2-12			
KSLF-11B-4N	1 3/4-12			
KSLF-13-4N	2-12	4 5/8	2 1/2	5/8
KSLF-13A-4N	2 1/4-12			
KSLF-15-4N	3-12	6 1/4	3 1/4	1
KSLF-15A-4N	3 1/2-12			

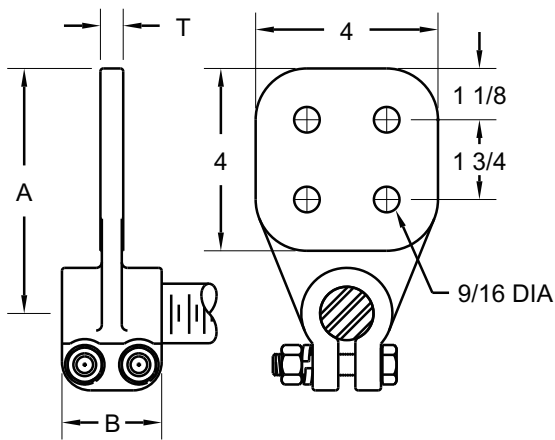


CONNECTORS SUPPLIED WITH CLAMPING HARDWARE IN ACCORDANCE WITH NEMA STANDARD (CC 1)  
ALL PADS ARE FINISHED ON BOTH SIDES

**BRONZE**

## TYPE KSLF

STUD CONNECTOR  
STUD TO FLAT AT 90°



4" 4-HOLE NEMA FLAT

HOMAC CATALOG NUMBER	STUD SIZE	A	B	T
<b>4" 4-HOLE NEMA FLAT</b>				
KSLF-5-4NN	1-14	4 1/8	2	
KSLF-6-4NN	1 1/8-12	5 1/2	2 1/4	1/2
KSLF-8-4NN	1 1/4-12			
KSLF-10-4NN	1 1/2-12			
KSLF-11B-4NN	1 3/4-12			
KSLF-13-4NN	2-12	5 5/8	2 1/2	5/8
KSLF-13-4NN-3KA		6 11/16		1
KSLF-13A-4NN	2 1/4-12	5 5/8	3 1/4	3/4
KSLF-13A-4NN-3KA		6 11/16		1
KSLF-13B-4NN	2 1/2-12	6 1/2	3 1/4	3/4
KSLF-13B-4NN-3KA				1
KSLF-15-4NN	3-12	6 11/16	3 1/4	3/4
KSLF-15-4NN-3KA				1
KSLF-15-4NN-4KA				1 1/4
KSLF-15A-4NN	3 1/2-12			3/4
KSLF-15A-4NN-4KA				1 1/4
KSLF-16-4NN	4-12	7 5/8	4	1
KSLF-16-4NN-4KA				1 1/4
KSLF-17-4NN	4-10			1
KSLF-17-4NN-4KA				1 1/4

3KA = 3000 AMP RATING  
4KA = 4000 AMP RATING

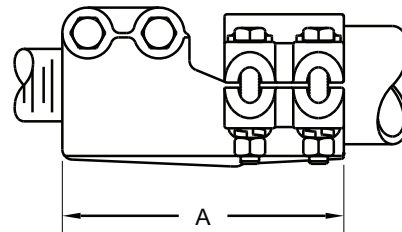
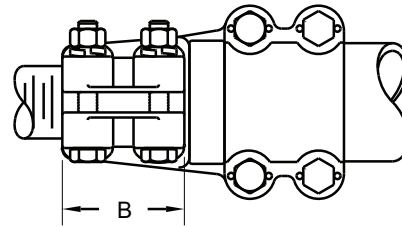
CONNECTORS SUPPLIED WITH CLAMPING HARDWARE IN ACCORDANCE WITH NEMA STANDARD (CC 1)  
ALL PADS ARE FINISHED ON BOTH SIDES

**BRONZE**

**TYPE VIC**

HOMAC CATALOG NUMBER	STUD SIZE	SPS	A	B
VIC-6-C	1 1/8-12	1/2	5	2 1/4
VIC-6-E		3/4		
VIC-6-F		1		
VIC-6-G		1 1/4	5 1/2	
VIC-6-H		1 1/2		
VIC-6-J		2		
VIC-8-C	1 1/4-12	1/2	5 3/8	
VIC-8-E		3/4	5 1/4	
VIC-8-F		1	4 7/8	
VIC-8-G		1 1/4	5 1/2	
VIC-8-H		1 1/2		
VIC-8-J		2		
VIC-8-K	2 1/2	5 3/4		
VIC-10-C	1 1/2-12	1/2	5 1/2	2 1/2
VIC-10-E		3/4	5	
VIC-10-F		1	5 1/4	
VIC-10-G		1 1/4	5 1/2	
VIC-10-H		1 1/2		
VIC-10-J		2		
VIC-10-K	2 1/2	6 1/8		
VIC-10-L	3	6 7/8		
VIC-11B-C	1 3/4-12	1/2	5	
VIC-11B-E		3/4		
VIC-11B-F		1		
VIC-11B-G		1 1/4	5 1/4	
VIC-11B-H		1 1/2	5 1/2	
VIC-11B-J		2	6 1/2	
VIC-11B-K	2 1/2	5 1/2		
VIC-11B-L	3	7 7/8		
VIC-11B-M	3 1/2			
VIC-13-C	2-12		1/2	5
VIC-13-E		3/4		
VIC-13-F		1	5 1/4	
VIC-13-G		1 1/4	6	
VIC-13-H		1 1/2		
VIC-13-J		2		6 1/4
VIC-13-K		2 1/2		
VIC-13-L		3	7 3/4	
VIC-13-M		3 1/2		

**STUD CONNECTOR  
STUD TO PIPE**

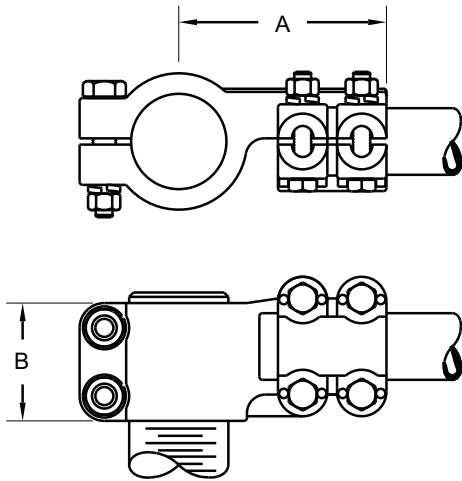


OTHER SIZES AVAILABLE, CONSULT THE FACTORY  
CONNECTORS SUPPLIED WITH CLAMPING HARDWARE IN ACCORDANCE WITH NEMA STANDARD (CC 1)

**BRONZE**

**TYPE VIC-90**

STUD CONNECTOR  
STUD TO PIPE AT 90°



HOMAC CATALOG NUMBER	STUD SIZE	SPS	A	B
VIC-6-C90	1 1/8-12	1/2	3 1/2	2 1/4
VIC-6-E90		3/4	3 3/4	
VIC-6-F90		1	4 1/2	
VIC-6-G90		1 1/4	4 3/8	
VIC-6-H90		1 1/2	4 3/8	
VIC-6-J90		2	4 3/8	
VIC-8-C90	1 1/4-12	1/2	3 1/2	2 1/4
VIC-8-E90		3/4	3 1/2	
VIC-8-F90		1	4 1/4	
VIC-8-G90		1 1/4	4 1/4	
VIC-8-H90		1 1/2	4 3/8	
VIC-8-J90		2	4 3/8	
VIC-8-K90	2 1/2	4 3/8	2 1/2	
VIC-10-C90	1 1/2-12	1/2		3 3/4
VIC-10-E90		3/4		4
VIC-10-F90		1		4 1/4
VIC-10-G90		1 1/4		4 1/4
VIC-10-H90		1 1/2		4 3/4
VIC-10-J90		2	4 3/4	
VIC-10-K90	2 1/2	4 5/8	2 1/2	
VIC-10-L90	3	4 5/8		
VIC-11B-C90	1 3/4-12	1/2		4 1/4
VIC-11B-E90		3/4		4 1/4
VIC-11B-F90		1		4 1/2
VIC-11B-G90		1 1/4		4 1/2
VIC-11B-H90		1 1/2	4 3/4	
VIC-11B-J90		2	4 3/4	
VIC-11B-K90	2 1/2	4 7/8	2 1/2	
VIC-11B-L90	3	4 7/8		
VIC-11B-M90	3 1/2	4 7/8		
VIC-13-C90	2-12	1/2		4 1/4
VIC-13-E90		3/4		4 1/4
VIC-13-F90		1		4 7/8
VIC-13-G90		1 1/4	4 7/8	
VIC-13-H90		1 1/2	5	
VIC-13-J90		2	5	
VIC-13-K90	2 1/2	5	5	
VIC-13-L90	3	5		
VIC-13-M90	3 1/2	5		

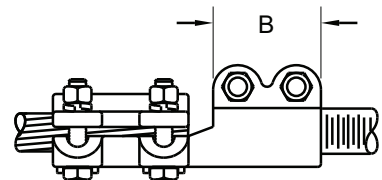
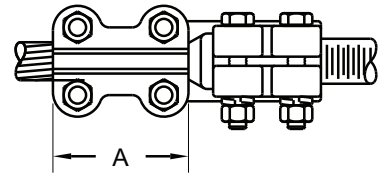
OTHER SIZES AVAILABLE, CONSULT THE FACTORY  
CONNECTORS SUPPLIED WITH CLAMPING HARDWARE IN ACCORDANCE WITH NEMA STANDARD (CC 1)

**BRONZE**

**TYPE VID**

**STUD CONNECTOR  
STUD TO CABLE**

HOMAC CATALOG NUMBER	STUD SIZE	CABLE		A	B	
		SIZE	DIA. MIN-MAX			
VID-6-4/0	1 1/8-12	#8 - 4/0	.146 - .528	2 3/4	2 3/16	
VID-6-60		#4 - 600	.232 - .893			
VID-6-100		4/0 - 1000	.528 - 1.152	3		
VID-6-125		900 - 1250	1.094 - 1.289			
VID-8-4/0	1 1/4-12	#8 - 4/0	.146 - .528	2 3/4		
VID-8-60		#4 - 600	.232 - .893			
VID-8-100		4/0 - 1000	.528 - 1.152	3		
VID-8-125		900 - 1250	1.094 - 1.289			
VID-10-4/0	1 1/2-12	#8 - 4/0	.146 - .528	2 5/8	2 1/4	
VID-10-60		#4 - 600	.232 - .893	2 3/4		
VID-10-100		4/0 - 1000	.528 - 1.152	3		2
VID-10-125		900 - 1250	1.094 - 1.289			2 1/4
VID-11B-4/0	1 3/4-12	#8 - 4/0	.146 - .528	2 5/8	2 5/8	
VID-11B-60		#4 - 600	.232 - .893	3		
VID-11B-100		4/0 - 1000	.528 - 1.152		2	
VID-11B-125		900 - 1250	1.094 - 1.289			
VID-13-4/0	2-12	#8 - 4/0	.146 - .528	2 5/8	2 1/8	
VID-13-60		#4 - 600	.232 - .893	2 3/4		
VID-13-100		4/0 - 1000	.528 - 1.152	3	2 5/8	
VID-13-125		900 - 1250	1.094 - 1.289			

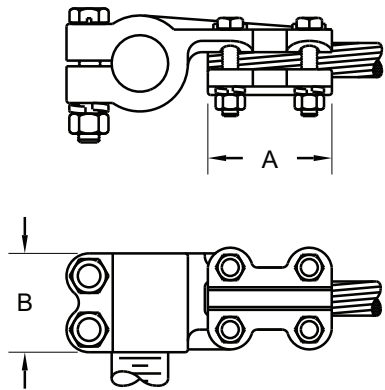


OTHER SIZES AVAILABLE, CONSULT THE FACTORY  
CONNECTORS SUPPLIED WITH CLAMPING HARDWARE IN ACCORDANCE WITH NEMA STANDARD (CC 1)

**SUBSTATION PRODUCTS**

**TYPE VID-90**

STUD CONNECTOR  
STUD TO CABLE AT 90°



HOMAC CATALOG NUMBER	STUD SIZE	CABLE		A	B
		SIZE	DIA. MIN-MAX		
VID-6-4/0-90	1 1/8-12	#8 - 4/0	.146 - .528	2 5/8	2 3/8
VID-6-60-90		#4 - 600	.232 - .893	2 3/4	
VID-6-80-90		500 - 800	.813 - 1.031	3	
VID-6-125-90		900 - 1250	1.094 - 1.289	3 5/8	
VID-8-4/0-90	1 1/4-12	#8 - 4/0	.146 - .528	2 3/4	
VID-8-60-90		#4 - 600	.232 - .893		
VID-8-80-90		500 - 800	.813 - 1.031	3	
VID-8-125-90		900 - 1250	1.094 - 1.289		
VID-10-4/0-90	1 1/2-12	#8 - 4/0	.146 - .528	2 3/4	
VID-10-60-90		#4 - 600	.232 - .893		
VID-10-80-90		500 - 800	.813 - 1.031	2 5/8	
VID-10-125-90		900 - 1250	1.094 - 1.289		
VID-11B-4/0-90	1 3/4-12	#8 - 4/0	.146 - .528	2 5/8	2 1/2
VID-11B-60-90		#4 - 600	.232 - .893	2 3/4	
VID-11B-80-90		500 - 800	.813 - 1.031	2 3/16	
VID-11B-125-90		900 - 1250	1.094 - 1.289	3	
VID-13-4/0-90	2-12	#8 - 4/0	.146 - .528	2 5/8	
VID-13-60-90		#4 - 600	.232 - .893	2 3/4	
VID-13-80-90		500 - 800	.813 - 1.031	3	
VID-13-125-90		900 - 1250	1.094 - 1.289		

OTHER SIZES AVAILABLE, CONSULT THE FACTORY  
CONNECTORS SUPPLIED WITH CLAMPING HARDWARE IN ACCORDANCE WITH NEMA STANDARD (CC 1)

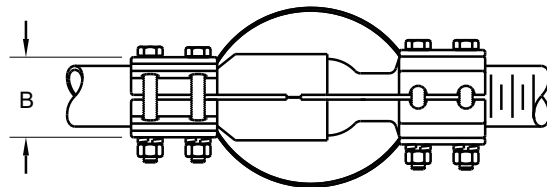
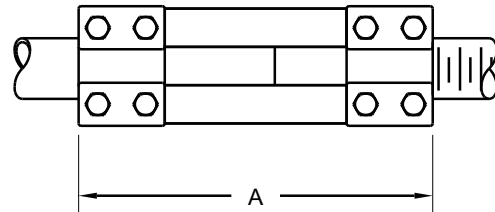
**BRONZE**



**TYPE VIF**

HOMAC CATALOG NUMBER	STUD SIZE	SPS	A	B
VIF-6-C	1 1/8-12	1/2	9 1/2	1 3/4
VIF-6-E		3/4		1 7/8
VIF-6-F		1		2 5/8
VIF-6-G		1 1/4	10	2 7/8
VIF-6-H		1 1/2		3 1/4
VIF-6-J		2		
VIF-8-C	1 1/4-12	1/2	9 1/2	1 3/4
VIF-8-E		3/4		1 7/8
VIF-8-F		1		2 5/8
VIF-8-G		1 1/4	10	2 7/8
VIF-8-H		1 1/2		3 1/4
VIF-8-J		2		3 5/8
VIF-8-K	2 1/2	11	3 5/8	
VIF-10-C	1 1/2-12	1/2	9 1/2	1 3/4
VIF-10-E		3/4		1 7/8
VIF-10-F		1		2 5/8
VIF-10-G		1 1/4	10	2 7/8
VIF-10-H		1 1/2		3 1/4
VIF-10-J		2		3 5/8
VIF-10-K	2 1/2	11	4 1/2	
VIF-10-L	3			
VIF-11B-C	1 3/4-12	1/2	10	1 3/4
VIF-11B-E		3/4		1 7/8
VIF-11B-F		1		2 5/8
VIF-11B-G		1 1/4	10 1/2	2 7/8
VIF-11B-H		1 1/2		3 1/4
VIF-11B-J		2		3 5/8
VIF-11B-K		2 1/2	11 1/2	4 1/2
VIF-11B-L		3		5 1/4
VIF-11B-M		3 1/2		
VIF-13-C	2-12	1/2	11	1 3/4
VIF-13-E		3/4		1 7/8
VIF-13-F		1		2 5/8
VIF-13-G		1 1/4	12	2 7/8
VIF-13-H		1 1/2		3 1/4
VIF-13-J		2		3 5/8
VIF-13-K		2 1/2	12 1/2	4 1/2
VIF-13-L		3		5 1/4
VIF-13-M		3 1/2		

**FLEXIBLE STUD CONNECTOR  
STUD TO PIPE**



OTHER SIZES AVAILABLE, CONSULT THE FACTORY

FOR COPPER LAMINATE SHUNTS INSTEAD OF BRAID, CONSULT THE FACTORY

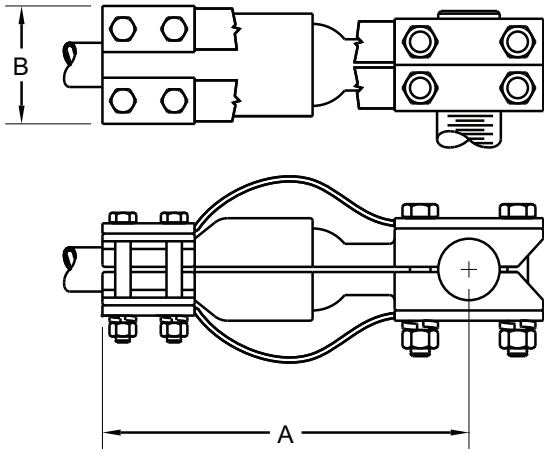
CONNECTORS SUPPLIED WITH CLAMPING HARDWARE IN ACCORDANCE WITH NEMA STANDARD (CC 1)

**BRONZE**

**SUBSTATION PRODUCTS**

**TYPE VIF-90**

**FLEXIBLE STUD CONNECTOR  
STUD TO PIPE AT 90°**



HOMAC CATALOG NUMBER	STUD SIZE	SPS	A	B
VIF-6-C90	1 1/8-12	1/2	9 5/16	2 7/8
VIF-6-E90		3/4		3
VIF-6-F90		1		3 9/16
VIF-6-G90		1 1/4	11 1/2	3 3/4
VIF-6-H90		1 1/2		4 1/4
VIF-6-J90		2		
VIF-8-C90		1/2		8 11/16
VIF-8-E90	3/4	9 11/16	3	
VIF-8-F90	1		3 9/16	
VIF-8-G90	1 1/4		3 3/4	
VIF-8-H90	1 1/2		4 1/4	
VIF-8-J90	2			
VIF-8-K90	2 1/2			
VIF-10-C90	1 1/2-12		1/2	9 3/16
VIF-10-E90		3/4	8 11/16	3
VIF-10-F90		1		3 9/16
VIF-10-G90		1 1/4		3 3/4
VIF-10-H90		1 1/2	10 3/16	4 1/4
VIF-10-J90		2	10 11/16	5 3/8
VIF-10-K90		2 1/2		
VIF-10-L90		3		
VIF-11B-C90		1/2		9 5/16
VIF-11B-E90		3/4	11	3
VIF-11B-F90	1	4 1/4		
VIF-11B-G90	1 1/4	3 3/4		
VIF-11B-H90	1 1/2	4 1/4		
VIF-11B-J90	2	5 3/8		
VIF-11B-K90	2 1/2	5 7/8		
VIF-11B-L90	3			
VIF-11B-M90	3 1/2			
VIF-13-C90	2-12	1/2		9 5/16
VIF-13-E90		3/4	10	3
VIF-13-F90		1		4 1/4
VIF-13-G90		1 1/4		3 3/4
VIF-13-H90		1 1/2	11	4 1/4
VIF-13-J90		2		5 3/8
VIF-13-K90		2 1/2		5 7/8
VIF-13-L90		3		
VIF-13-M90		3 1/2		

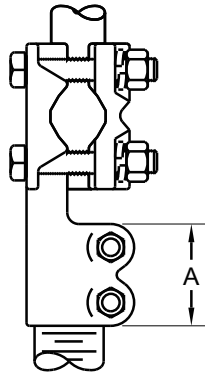
OTHER SIZES AVAILABLE, CONSULT THE FACTORY  
FOR COPPER LAMINATE SHUNTS INSTEAD OF BRAID, CONSULT THE FACTORY  
CONNECTORS SUPPLIED WITH CLAMPING HARDWARE IN ACCORDANCE WITH NEMA STANDARD (CC 1)

**BRONZE**

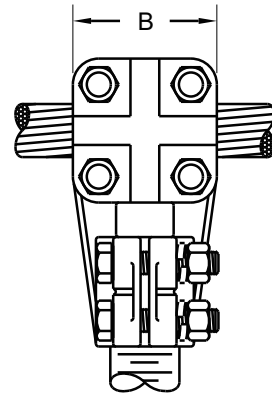
**SUBSTATION PRODUCTS**

**TYPE 5M**

STUD CONNECTOR  
STUD TO CABLE, PIPE, OR FLAT



THIS ILLUSTRATION REPRESENTS  
A HORIZONTAL CONFIGURATION



THIS ILLUSTRATION REPRESENTS  
A VERTICAL CONFIGURATION

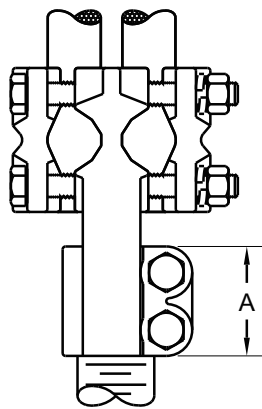
HOMAC CATALOG NUMBER	STUD SIZE	CABLE SIZE	CABLE DIAMETER MIN.-MAX.	SPS	A	B	
5M663-5	1-14	#6 - 500	.162 - .813	3/8 - 1/2	2 1/4	2 1/4	
5M863-5		#2 - 1000	.258 - 1.152	3/8 - 3/4		3	
5M663-6	1 1/8-12	#6 - 500	.162 - .813	3/8 - 1/2		2 5/8	
5M863-6		#2 - 1000	.258 - 1.152	3/8 - 3/4		3	
5M963-6		4/0 - 2000	.528 - 1.630	3/8 - 1 1/4		3 3/4	
5M663-8	1 1/4-12	#6 - 500	.162 - .813	3/8 - 1/2		2 5/8	
5M863-8		#2 - 1000	.258 - 1.152	3/8 - 3/4		3	
5M963-8		4/0 - 2000	.528 - 1.630	3/8 - 1 1/4		3 3/4	
5M663-10	1 1/2-12	#6 - 500	.162 - .813	3/8 - 1/2		2 3/8	2 5/8
5M863-10		#2 - 1000	.258 - 1.152	3/8 - 3/4			3
5M963-10		4/0 - 2000	.528 - 1.630	3/8 - 1 1/4	3 3/4		
5M863-11B	1 3/4-12	#2 - 1000	.258 - 1.152	3/8 - 3/4	2 1/2	3	
5M963-11B		4/0 - 2000	.528 - 1.630	3/8 - 1 1/4		3 3/4	
5M863-13	2-12	#2 - 1000	.258 - 1.152	3/8 - 3/4	2 1/2	3	
5M963-13		4/0 - 2000	.528 - 1.630	3/8 - 1 1/4		3 3/4	

THIS TYPE 5M UNIVERSAL CONNECTOR CAN BE USED FOR  
HORIZONTAL OR VERTICAL TAKE-OFF TO A FLAT. IT WILL  
ACCOMMODATE A WIDE RANGE OF CABLE JUST BY TURNING THE CAP.

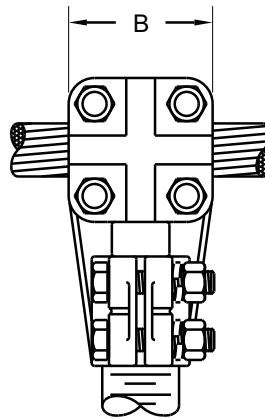
OTHER SIZES AVAILABLE, CONSULT THE FACTORY  
CONNECTORS SUPPLIED WITH CLAMPING HARDWARE IN ACCORDANCE WITH NEMA STANDARD (CC 1)

**BRONZE**

**SUBSTATION PRODUCTS**



THIS ILLUSTRATION REPRESENTS  
A HORIZONTAL CONFIGURATION



THIS ILLUSTRATION REPRESENTS  
A VERTICAL CONFIGURATION

**TYPE 5M-2**

STUD CONNECTOR  
STUD TO CABLE OR PIPE

HOMAC CATALOG NUMBER	STUD SIZE	CABLE SIZE	CABLE DIAMETER MIN.-MAX.	SPS	A	B	
5M663-2-5	1-14	#6 - 500	.162 - .813	3/8 - 1/2	2 1/4	2 1/4	
5M863-2-5		#2 - 1000	.258 - 1.152	3/8 - 3/4		3	
5M663-2-6	1 1/8-12	#6 - 500	.162 - .813	3/8 - 1/2		2 5/8	
5M863-2-6		#2 - 1000	.258 - 1.152	3/8 - 3/4		3	
5M963-2-6		4/0 - 2000	.528 - 1.630	3/8 - 1 1/4		3 3/4	
5M663-2-8	1 1/4-12	#6 - 500	.162 - .813	3/8 - 1/2		2 5/8	
5M863-2-8		#2 - 1000	.258 - 1.152	3/8 - 3/4		3 1/8	
5M963-2-8		4/0 - 2000	.528 - 1.630	3/8 - 1 1/4		3 3/4	
5M663-2-10	1 1/2-12	#6 - 500	.162 - .813	3/8 - 1/2		2 3/8	2 5/8
5M863-2-10		#2 - 1000	.258 - 1.152	3/8 - 3/4			3 1/8
5M963-2-10		4/0 - 2000	.528 - 1.630	3/8 - 1 1/4			3 3/4
5M863-2-11B	1 3/4-12	#2 - 1000	.258 - 1.152	3/8 - 3/4			3
5M963-2-11B		4/0 - 2000	.528 - 1.630	3/8 - 1 1/4	3 3/4		
5M863-2-13	2-12	#2 - 1000	.258 - 1.152	3/8 - 3/4	2 1/2		3
5M963-2-13		4/0 - 2000	.528 - 1.630	3/8 - 1 1/4		3 3/4	
5M963-2-15	3-12						

THIS TYPE 5M UNIVERSAL CONNECTOR CAN BE USED FOR  
HORIZONTAL OR VERTICAL TAKE-OFF. IT WILL  
ACCOMMODATE A WIDE RANGE OF CABLE JUST BY TURNING THE CAP.

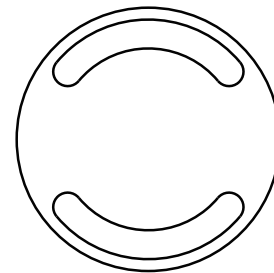
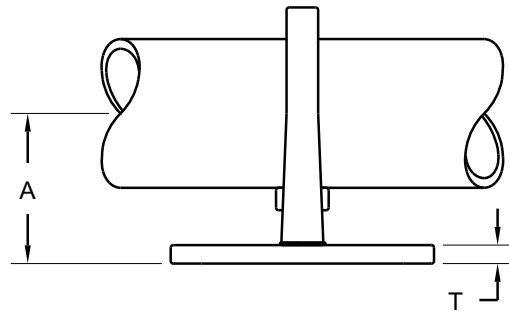
OTHER SIZES AVAILABLE, CONSULT THE FACTORY  
CONNECTORS SUPPLIED WITH CLAMPING HARDWARE IN ACCORDANCE WITH NEMA STANDARD (CC 1)

**BRONZE**

## TYPE KTB

SLIDE BUS SUPPORT  
PIPE TO INSULATOR

HOMAC CATALOG NUMBER	SPS	A	T
<b>3" BOLT CIRCLE</b>			
KTB-E-3	3/4	2	1/2
KTB-F-3	1		
KTB-G-3	1 1/4	2 1/4	
KTB-H-3	1 1/2	2 1/2	
KTB-J-3	2	2 3/4	
KTB-K-3	2 1/2	3 1/8	
KTB-L-3	3	3 5/8	
KTB-M-3	3 1/2	4	
KTB-P-3	4	4 1/2	
<b>5" BOLT CIRCLE</b>			
KTB-E-5	3/4	2 1/4	1/2
KTB-F-5	1		
KTB-G-5	1 1/4	2 3/8	
KTB-H-5	1 1/2	2 1/2	
KTB-J-5	2	2 3/4	
KTB-K-5	2 1/2	3 1/8	
KTB-L-5	3	3 5/8	5/8
KTB-M-5	3 1/2	4	
KTB-P-5	4	4 1/2	



SLOTS: 3" BC 9/16  
5" BC 9/16

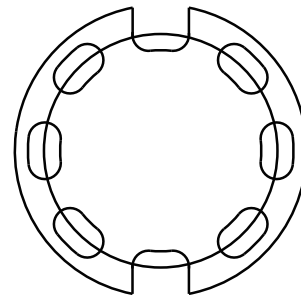
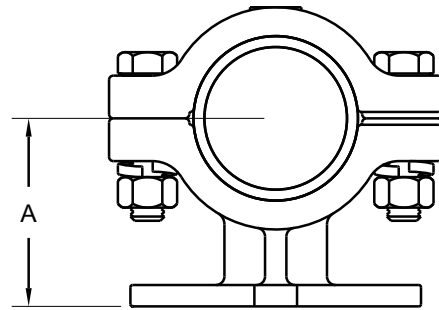
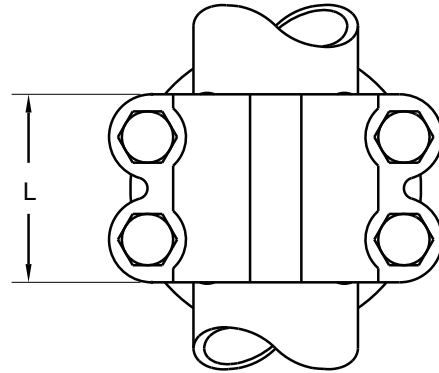
STAINLESS STEEL ANTI-CHATTER SPRINGS ARE SUPPLIED  
GALVANIZED HARDWARE FOR MOUNTING TO INSULATOR IS SUPPLIED  
CONNECTORS SUPPLIED WITH CLAMPING HARDWARE IN ACCORDANCE WITH NEMA STANDARD (CC 1)

**BRONZE**

## TYPE KSBE

BUS SUPPORT  
CLAMP OR SLIP FIT  
PIPE TO INSULATOR

HOMAC CATALOG NUMBER	SPS	A	L
<b>3" BOLT CIRCLE</b>			
KSBE-C-3	1/2	1 3/4	2 1/4
KSBE-E-3	3/4	2	
KSBE-F-3	1		
KSBE-G-3	1 1/4	2 1/4	2 3/4
KSBE-H-3	1 1/2	2 1/2	
KSBE-J-3	2	2 3/4	
KSBE-K-3	2 1/2	3 1/8	3
KSBE-L-3	3	3 5/8	3 1/2
KSBE-M-3	3 1/2	4	4
KSBE-P-3	4	4 1/2	
<b>5" BOLT CIRCLE</b>			
KSBE-C-5	1/2	2 1/8	3
KSBE-E-5	3/4	2 1/4	2 3/8
KSBE-F-5	1		
KSBE-G-5	1 1/4	2 3/8	3 1/4
KSBE-H-5	1 1/2	2 1/2	2 3/4
KSBE-J-5	2	2 3/4	3
KSBE-K-5	2 1/2	3 1/8	
KSBE-L-5	3	3 5/8	3 1/2
KSBE-M-5	3 1/2	4	3 3/4
KSBE-P-5	4	4 1/2	



SLOTS: 3" BC 9/16 X 3/4  
5" BC 11/16 X 7/8

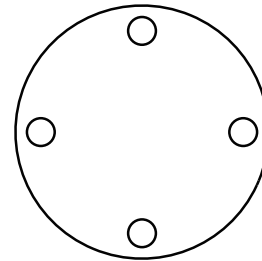
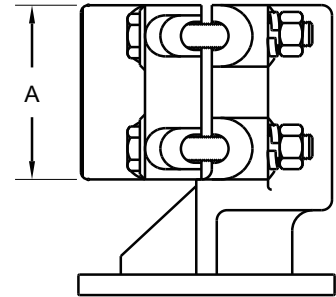
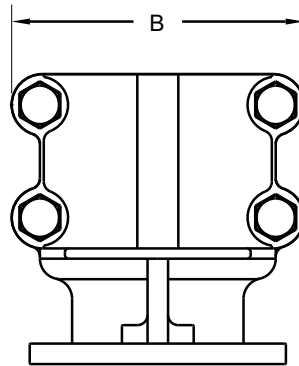
STAINLESS STEEL ANTI-CHATTER SPRINGS ARE SUPPLIED  
GALVANIZED HARDWARE FOR MOUNTING TO INSULATOR IS SUPPLIED  
CONNECTORS SUPPLIED WITH CLAMPING HARDWARE IN ACCORDANCE WITH NEMA STANDARD (CC 1)

**BRONZE**

## TYPE KVBS

VERTICAL BUS SUPPORT  
PIPE TO INSULATOR

HOMAC CATALOG NUMBER	SPS	A	B
<b>3" BOLT CIRCLE</b>			
KVBS-E-3	3/4	2 1/4	2 13/16
KVBS-F-3	1		
KVBS-G-3	1 1/4	3	3 9/16
KVBS-H-3	1 1/2		3 3/4
KVBS-J-3	2		4 1/4
KVBS-K-3	2 1/2	4	4 3/4
KVBS-L-3	3		5 1/4
KVBS-M-3	3 1/2		5 3/4
KVBS-P-3	4		6 1/4
<b>5" BOLT CIRCLE</b>			
KVBS-E-5	3/4	2 1/4	2 13/16
KVBS-F-5	1		
KVBS-G-5	1 1/4	3	3 9/16
KVBS-H-5	1 1/2		3 3/4
KVBS-J-5	2		4 1/4
KVBS-K-5	2 1/2	4	4 3/4
KVBS-L-5	3		5 1/4
KVBS-M-5	3 1/2		5 3/4
KVBS-P-5	4		6 1/4



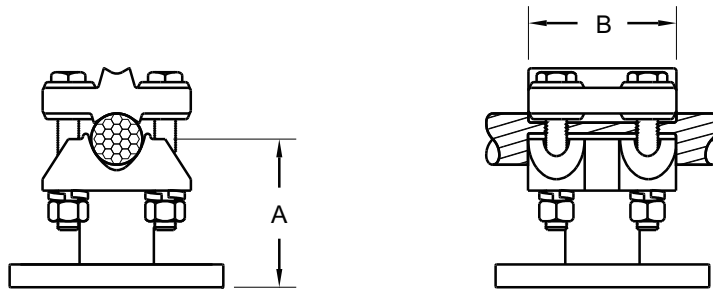
HOLES: 3" BC 9/16  
5" BC 11/16

GALVANIZED HARDWARE FOR MOUNTING TO INSULATOR IS SUPPLIED  
CONNECTORS SUPPLIED WITH CLAMPING HARDWARE IN ACCORDANCE WITH NEMA STANDARD (CC 1)

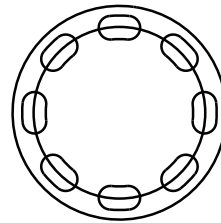
**BRONZE**

## TYPE KSBD

BOLTED BUS SUPPORT  
CABLE TO INSULATOR



HOMAC CATALOG NUMBER	CABLE SIZE	CABLE DIAMETER MIN.-MAX.	A	B
<b>3" BOLT CIRCLE</b>				
KSBD-60-3	#4 -600	.232 - .893	2 1/2	2 3/4
KSBD-100-3	4/0 - 1000	.528 - 1.152	3	3
KSBD-175-3	250 - 1750	.575 - 1.526	2 3/4	3 1/2
<b>5" BOLT CIRCLE</b>				
KSBD-60-5	#4 -600	.232 - .893	2 1/2	2 7/8
KSBD-100-5	4/0 - 1000	.528 - 1.152	3	3
KSBD-175-5	250 - 1750	.575 - 1.526	3 1/8	3 5/8



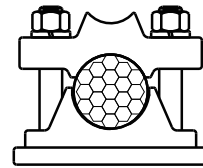
SLOTS: 3" BC 9/16 X 3/4  
5" BC 11/16 X 7/8

GALVANIZED HARDWARE FOR MOUNTING TO INSULATOR IS SUPPLIED  
CONNECTORS SUPPLIED WITH CLAMPING HARDWARE IN ACCORDANCE WITH NEMA STANDARD (CC 1)

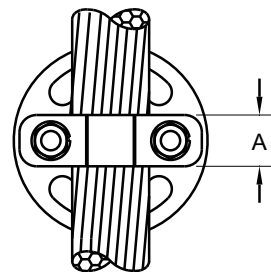


## TYPE 8M

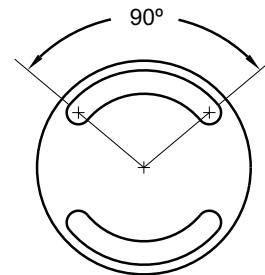
BUS SUPPORT  
CABLE OR PIPE TO INSULATOR



HOMAC CATALOG NUMBER	CABLE SIZE	CABLE DIAMETER MIN.-MAX.	SPS	A
<b>3" BOLT CIRCLE</b>				
8M-25-3	#6 - 250	.162 - .574	1/4	1
8M-50-3	1/0 - 500	.368 - .813		1 1/2
8M-100-3	4/0 - 1000	.460 - 1.152	3/4	1 1/4
8M-200-3	500 - 2000	.811 - 1.630	1 1/4	
8M-300-3	1000 - 3000	1.152 - 1.998	2	1 1/2
<b>5" BOLT CIRCLE</b>				
8M-25-5	#6 - 250	.162 - .574	1/4	1
8M-50-5	1/0 - 500	.368 - .813		1 1/2
8M-100-5	4/0 - 1000	.460 - 1.152	3/4	1 1/4
8M-200-5	500 - 2000	.811 - 1.630	1 1/4	
8M-300-5	1000 - 3000	1.152 - 1.998	2	1 1/2



ROTATION UP TO



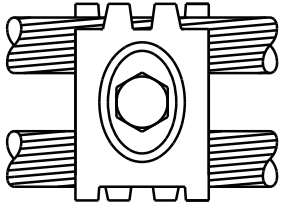
SLOTS: 3" BC 9/16  
5" BC 11/16

GALVANIZED HARDWARE FOR MOUNTING TO INSULATOR IS SUPPLIED  
CONNECTORS SUPPLIED WITH CLAMPING HARDWARE IN ACCORDANCE WITH NEMA STANDARD (CC 1)

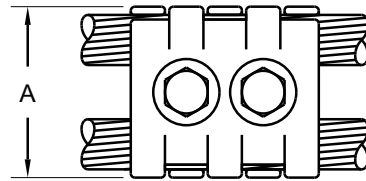
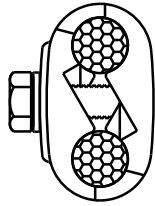
**SUBSTATION PRODUCTS**

**TYPE PT**

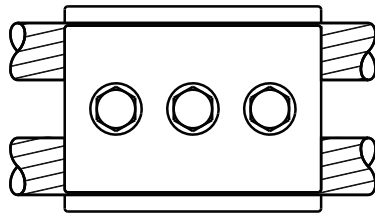
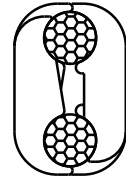
PARALLEL CLAMPS  
CABLE TO CABLE



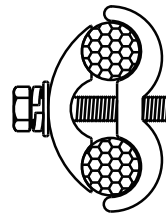
TYPE PT



TYPE PT2



TYPE PT3



HOMAC CATALOG NUMBER	RUN		TAP		A
	CABLE SIZE	CABLE DIAMETER MIN.-MAX.	CABLE SIZE	CABLE DIAMETER MIN.-MAX.	
PT-2/0-8	#8 - 2/0	.146 - .419	#8 - 2/0	.146 - .419	2
PT-1048	1/0 - 4/0	.368 - .464	#8 - #1	.146 - .328	
PT2-4/0-4	#4 - 4/0	.232 - .528	#4 - 4/0	.232 - .528	
PT2-30-30*	#2 - 300	.292 - .630	#2 - 300	.292 - .630	2 1/2
PT2-50-1	250 - 500	.575 - .813	#1 - 4/0	.328 - .522	2 1/4
PT2-50-50			250 - 500	.575 - .813	2 11/16
PT3-50-50*					
PT3-100-100	4/0 - 1000	.528 - 1.152	4/0 - 1000	.528 - 1.152	4 1/2

\* SUPPLIED WITH NUTS AND WASHERS FOR ASSEMBLY

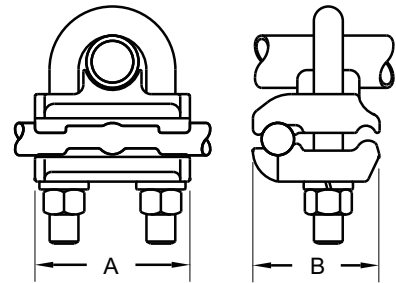
CONNECTORS SUPPLIED WITH CLAMPING HARDWARE IN ACCORDANCE WITH NEMA STANDARD (CC 1)

**BRONZE**

## TYPE 2755

GROUND CONNECTOR  
(1) CABLE PARALLEL OR  
PERPENDICULAR TO PIPE OR ROD

HOMAC CATALOG NUMBER	SPS	ROD DIA.	CABLE SIZE	CABLE DIAMETER MIN.-MAX.	A	B
2755-B-4	1/4 - 3/8	1/2 - 5/8	#8 - #4	.129 - .204	2 1/8	1 1/2
2755-B-2/0			#4 - 2/0	.204 - .419		
2755-B-25			2/0 - 250	.419 - .575		
2755-B-50			300 - 500	.630 - .813		
2755-E-4	1/2 - 3/4	7/8 - 1	#8 - #4	.129 - .204	2 1/2	1 1/2
2755-E-2/0			#4 - 2/0	.204 - .419		
2755-E-25			2/0 - 250	.419 - .575		
2755-E-50			300 - 500	.630 - .813		
2755-F-4	1	1 - 1 1/4	#8 - #4	.129 - .204	2 3/4	1 1/2
2755-F-2/0			#4 - 2/0	.204 - .419		
2755-F-25			2/0 - 250	.419 - .575		
2755-F-50			300 - 500	.630 - .813		
2755-G-4	1 1/4	—	#8 - #4	.129 - .204	3	1 1/2
2755-G-2/0			#4 - 2/0	.204 - .419		
2755-G-25			2/0 - 250	.419 - .575		
2755-G-50			300 - 500	.630 - .813		
2755-G-75			550 - 750	.855 - .998		2
2755-H-4	1 1/2	—	#8 - #4	.129 - .204	3 3/8	1 1/2
2755-H-2/0			#4 - 2/0	.204 - .419		
2755-H-25			2/0 - 250	.419 - .575		
2755-H-50			300 - 500	.630 - .813		
2755-H-75			550 - 750	.855 - .998		2
2755-J-4	2	—	#8 - #4	.129 - .204	3 3/4	1 1/2
2755-J-2/0			#4 - 2/0	.204 - .419		
2755-J-25			2/0 - 250	.419 - .575		
2755-J-50			300 - 500	.630 - .813		
2755-J-75			550 - 750	.855 - .998		2



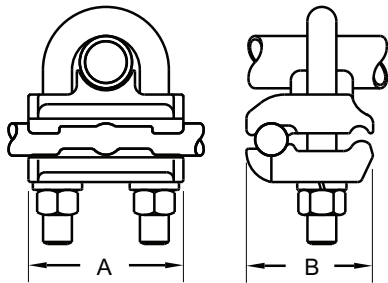
CONNECTORS SUPPLIED WITH CLAMPING HARDWARE IN ACCORDANCE WITH NEMA STANDARD (CC 1)

**BRONZE**

**SUBSTATION PRODUCTS**

**TYPE 2755**

GROUND CONNECTOR  
(1) CABLE PARALLEL OR  
PERPENDICULAR TO PIPE OR ROD



HOMAC CATALOG NUMBER	SPS	ROD DIA.	CABLE SIZE	CABLE DIA. MIN-MAX	A	B
2755-K-4	2 1/2	—	#8 - #4	.129 - .204	4 1/4	1 1/2
2755-K-2/0			#4 - 2/0	.204 - .419		
2755-K-25			2/0 - 250	.419 - .575		
2755-K-50			300 - 500	.630 - .813		2
2755-K-75			550 - 750	.855 - .998		
2755-L-4	3	—	#8 - #4	.129 - .204	4 7/8	1 1/2
2755-L-2/0			#4 - 2/0	.204 - .419		
2755-L-25			2/0 - 250	.419 - .575		
2755-L-50			300 - 500	.630 - .813		2
2755-L-75			550 - 750	.855 - .998		
2755-M-4	3 1/2	—	#8 - #4	.129 - .204	5 3/8	1 1/2
2755-M-2/0			#4 - 2/0	.204 - .419		
2755-M-25			2/0 - 250	.419 - .575		
2755-M-50			300 - 500	.630 - .813		2
2755-M-75			550 - 750	.855 - .998		
2755-P-4	4	—	#8 - #4	.129 - .204	5 7/8	1 1/2
2755-P-2/0			#4 - 2/0	.204 - .419		
2755-P-25			2/0 - 250	.419 - .575		
2755-P-50			300 - 500	.630 - .813		2
2755-P-75			550 - 750	.855 - .998		
2755-R-4	5	—	#8 - #4	.129 - .204	7	1 1/2
2755-R-2/0			#4 - 2/0	.204 - .419		
2755-R-25			2/0 - 250	.419 - .575		
2755-R-50			300 - 500	.630 - .813		2
2755-R-75			550 - 750	.855 - .998		
2755-S-4	6	—	#8 - #4	.129 - .204	8	1 1/2
2755-S-2/0			#4 - 2/0	.204 - .419		
2755-S-25			2/0 - 250	.419 - .575		
2755-S-50			300 - 500	.630 - .813		2
2755-S-75			550 - 750	.855 - .998		

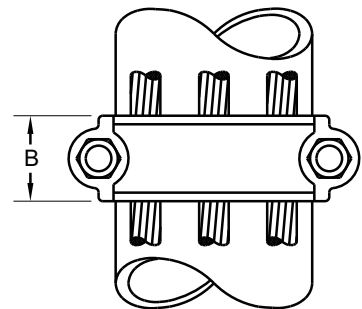
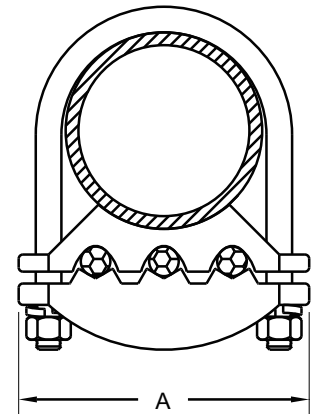
**BRONZE**

CONNECTORS SUPPLIED WITH CLAMPING HARDWARE IN ACCORDANCE WITH NEMA STANDARD (CC 1)

## TYPE 2752

GROUND CONNECTOR  
(2) OR (3) CABLES PARALLEL  
TO PIPE OR ROD

HOMAC CATALOG NUMBER	SPS	ROD DIA.	CABLE SIZE	CABLE DIAMETER MIN.-MAX.	A	B
2752-3-B-4	1/4 - 3/8	1/2 - 5/8	#8 - #4	.129 - .204	2 1/2	1 1/4
2752-3-B-2/0			#4 - 2/0	.204 - .419	3	
2752-3-B-25			2/0 - 250	.419 - .575	3 1/4	
2752-3-B-50			300 - 500	.630 - .813	3 3/4	
2752-3-E-4	1/2 - 3/4	7/8 - 1	#8 - #4	.129 - .204	2 7/8	
2752-3-E-2/0			#4 - 2/0	.204 - .419	3 3/8	
2752-3-E-25			2/0 - 250	.419 - .575	3 1/2	
2752-3-E-50			300 - 500	.630 - .813	4	
2752-3-F-4	1	1 - 1 1/4	#8 - #4	.129 - .204	3 1/8	
2752-3-F-2/0			#4 - 2/0	.204 - .419	3 1/2	
2752-3-F-25			2/0 - 250	.419 - .575	3 7/8	
2752-3-F-50			300 - 500	.630 - .813	4 1/8	
2752-3-G-4	1 1/4	—	#8 - #4	.129 - .204	3	
2752-3-G-2/0			#4 - 2/0	.204 - .419	3 7/8	
2752-3-G-25			2/0 - 250	.419 - .575	4 1/8	
2752-3-G-50			300 - 500	.630 - .813	5	
2752-3-G-75			550 - 750	.855 - .998	5 1/4	
2752-3-H-4	1 1/2	—	#8 - #4	.129 - .204	3 3/8	
2752-3-H-2/0			#4 - 2/0	.204 - .419		
2752-3-H-25			2/0 - 250	.419 - .575	4 1/2	
2752-3-H-50			300 - 500	.630 - .813	5 1/8	
2752-3-H-75			550 - 750	.855 - .998	5 1/2	
2752-3-J-4	2	—	#8 - #4	.129 - .204	3 3/4	
2752-3-J-2/0			#4 - 2/0	.204 - .419		
2752-3-J-25			2/0 - 250	.419 - .575		
2752-3-J-50			300 - 500	.630 - .813	5 5/8	
2752-3-J-75			550 - 750	.855 - .998	6	



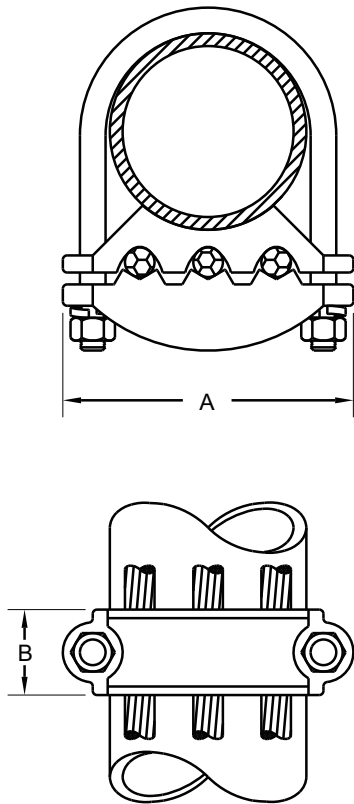
CONNECTORS SUPPLIED WITH CLAMPING HARDWARE IN ACCORDANCE WITH NEMA STANDARD (CC 1)

**BRONZE**

**SUBSTATION PRODUCTS**

**TYPE 2752**

**GROUND CONNECTOR  
(2) OR (3) CABLES PARALLEL  
TO PIPE OR ROD**



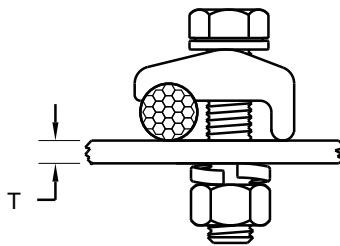
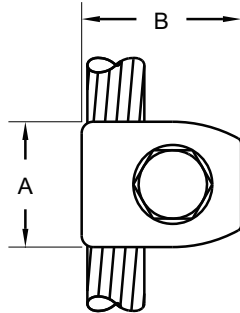
HOMAC CATALOG NUMBER	SPS	ROD DIA.	CABLE SIZE	CABLE DIAMETER MIN.-MAX.	A	B
2752-3-K-4	2 1/2	—	#8 - #4	.129 - .204	4 1/4	1 1/4
2752-3-K-2/0			#4 - 2/0	.204 - .419		
2752-3-K-25			2/0 - 250	.419 - .575		
2752-3-K-50			300 - 500	.630 - .813	6 1/8	1 1/2
2752-3-K-75	550 - 750	.855 - .998	6 1/2			
2752-3-L-4	3	—	#8 - #4	.129 - .204	4 7/8	1 1/4
2752-3-L-2/0			#4 - 2/0	.204 - .419		
2752-3-L-25			2/0 - 250	.419 - .575		
2752-3-L-50			300 - 500	.630 - .813	5 1/4	1 1/2
2752-3-L-75			550 - 750	.855 - .998	7 1/8	
2752-3-M-4	3 1/2	—	#8 - #4	.129 - .204	5 3/8	1 1/4
2752-3-M-2/0			#4 - 2/0	.204 - .419		
2752-3-M-25			2/0 - 250	.419 - .575		
2752-3-M-50			300 - 500	.630 - .813	5 3/4	1 1/2
2752-3-M-75			550 - 750	.855 - .998		
2752-3-P-4	4	—	#8 - #4	.129 - .204	5 7/8	1 1/4
2752-3-P-2/0			#4 - 2/0	.204 - .419		
2752-3-P-25			2/0 - 250	.419 - .575		
2752-3-P-50			300 - 500	.630 - .813	6 1/4	1 1/2
2752-3-P-75			550 - 750	.855 - .998		
2752-3-R-4	5	—	#8 - #4	.129 - .204	7	1 1/4
2752-3-R-2/0			#4 - 2/0	.204 - .419		
2752-3-R-25			2/0 - 250	.419 - .575		
2752-3-R-50			300 - 500	.630 - .813	7 3/8	1 1/2
2752-3-R-75			550 - 750	.855 - .998		
2752-3-S-4	6	—	#8 - #4	.129 - .204	8	1 1/4
2752-3-S-2/0			#4 - 2/0	.204 - .419		
2752-3-S-25			2/0 - 250	.419 - .575		
2752-3-S-50			300 - 500	.630 - .813	8 3/8	1 1/2
2752-3-S-75			550 - 750	.855 - .998		

**BRONZE**

CONNECTORS SUPPLIED WITH CLAMPING HARDWARE IN ACCORDANCE WITH NEMA STANDARD (CC 1)

**TYPE 2709T-1**

**GROUND CONNECTOR  
CABLE TO FLAT**



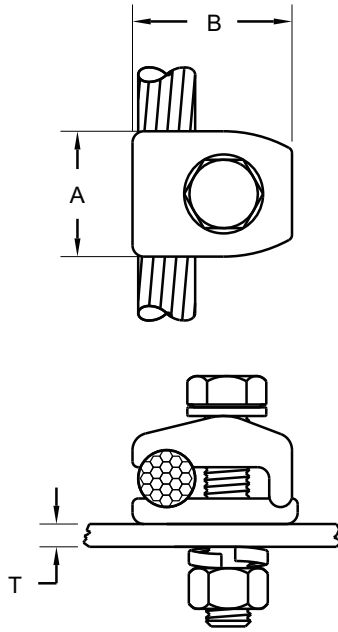
**BRONZE**

HOMAC CATALOG NUMBER	CABLE		ROD	A	B
	RANGE	DIAMETER			
2709T-1-4	#8 - #4	.129 - .232	3/16	1 1/2	1 7/16
2709T-1-2/0	#4 - 2/0	.204 - .419	3/8		1 1/2
2709T-1-25	2/0 - 250	.419 - .575	1/2	1 3/8	1 3/4
2709T-1-30	#4 - 300	.204 - .630	5/8		
2709T-1-50	300 - 500	.630 - .813	3/4	1 1/2	1 3/8
2709T-1-75	550 - 750	.855 - .998	15/16		2 5/8
2709T-1-100	800 - 1000	1.031 - 1.152	1		1 5/8

1/4" HARDWARE PROVIDED FOR "T".  
SPECIFY OTHER "T" IF REQUIRED. E.G. "2709T-1-75-T 1/2"

CONNECTORS SUPPLIED WITH CLAMPING HARDWARE IN ACCORDANCE WITH NEMA STANDARD (CC 1)

**TYPE 2709-1**  
**GROUND CONNECTOR**  
**CABLE TO FLAT**



HOMAC CATALOG NUMBER	CABLE		ROD	A	B
	RANGE	DIAMETER			
2709-1-4	#8 - #4	.129 - .232	3/16	1 1/2	1 9/16
2709-1-2/0	#4 - 2/0	.204 - .419	3/8		
2709-1-25	2/0 - 250	.419 - .575	1/2	1	1 5/8
2709-1-30	#4 - 300	.204 - .630	5/8		
2709-1-50	300 - 500	.630 - .813	3/4	1 1/2	2 1/4
2709-1-75	550 - 750	.855 - .998	15/16		2 3/4
2709-1-100	800 - 1000	1.031 - 1.152	1	1 5/8	3

1/4" HARDWARE PROVIDED FOR "T".  
 SPECIFY OTHER "T" IF REQUIRED. E.G. "2709-1-4-T 1/2"

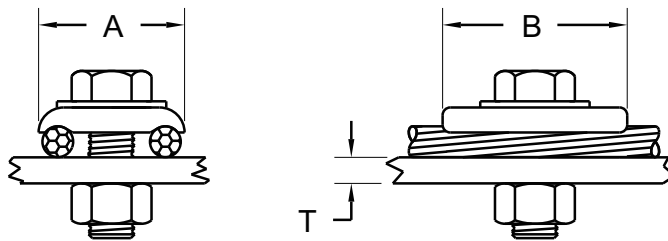
CONNECTORS SUPPLIED WITH CLAMPING HARDWARE IN ACCORDANCE WITH NEMA STANDARD (CC 1)

**BRONZE**



## TYPE 2709T-2

GROUND CONNECTOR  
(2) CABLES TO FLAT



**BRONZE**

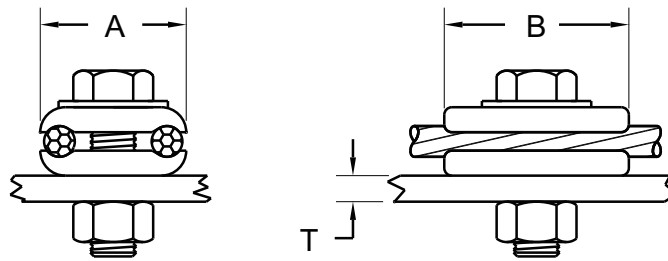
HOMAC CATALOG NUMBER	CABLE		ROD SIZE	A	B
	RANGE	DIAMETER			
2709T-2-4	#8 - #4	.129 - .232	3/16	1 1/8	1 1/2
2709T-2-2/0	#4 - 2/0	.204 - .419	3/8	1 1/2	
2709T-2-25	2/0 - 250	.419 - .575	1/2	2	
2709T-2-30	#4 - 300	.204 - .630	5/8	2 1/2	2
2709T-2-50	300 - 500	.630 - .813	3/4		
2709T-2-75	550 - 750	.855 - .998	15/16	2 3/4	
2709T-2-100	800 - 1000	1.031 - 1.152	1	3 1/8	

1/4" HARDWARE PROVIDED FOR "T".  
SPECIFY OTHER "T" IF REQUIRED. E.G. "2709-2-4-T 1/2"

CONNECTORS SUPPLIED WITH CLAMPING HARDWARE IN ACCORDANCE WITH NEMA STANDARD (CC1)

## TYPE 2709-2

GROUND CONNECTOR  
(2) CABLES TO FLAT



HOMAC CATALOG NUMBER	CABLE		ROD SIZE	A	B
	RANGE	DIAMETER			
2709-2-4	#8 - #4	.129 - .232	3/16	1 1/8	1 1/2
2709-2-2/0	#4 - 2/0	.204 - .419	3/8	1 1/2	
2709-2-25	2/0 - 250	.419 - .575	1/2	2	
2709-2-30	2/0 - 300	.419 - .630	5/8	2 1/2	2
2709-2-50	300 - 500	.630 - .813	3/4		
2709-2-75	550 - 750	.855 - .998	15/16	2 3/4	
2709-2-100	800 - 1000	1.031 - 1.152	1	3 1/8	

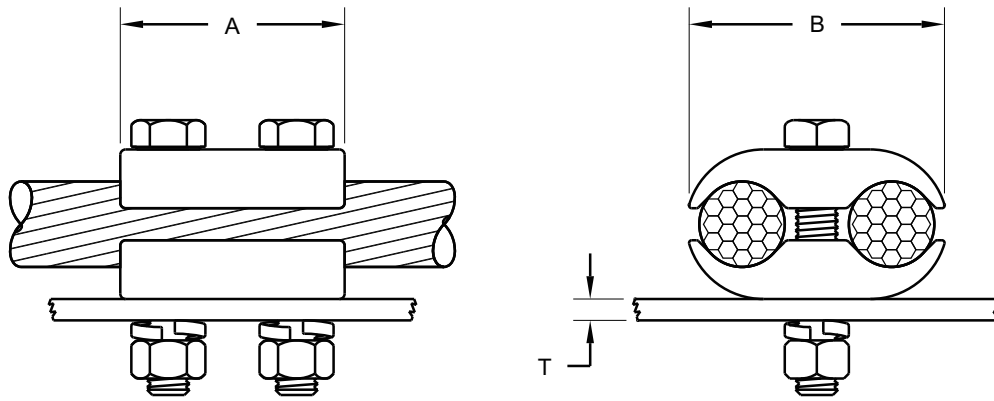
1/4" HARDWARE PROVIDED FOR "T".  
SPECIFY OTHER "T" IF REQUIRED. E.G. "2709-2-30-T 1/2"

CONNECTORS SUPPLIED WITH CLAMPING HARDWARE IN ACCORDANCE WITH NEMA STANDARD (CC1)

**BRONZE**

## TYPE 2710-2

GROUND CONNECTOR  
(2) CABLES TO FLAT



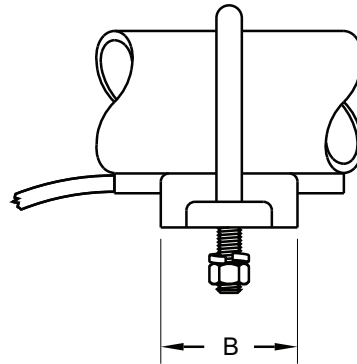
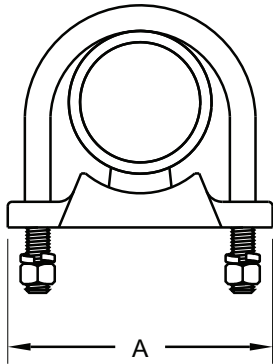
HOMAC CATALOG NUMBER	CABLE		ROD	A	B
	RANGE	DIAMETER			
2710-2-4	#8 - #4	.129 - .232	3/16	2 1/4	1 11/16
2710-2-2/0	#4 - 2/0	.204 - .419	3/8		
2710-2-25	2/0 - 250	.419 - .575	1/2	2 5/8	2 1/8
2710-2-30	2/0 - 300	.419 - .630	5/8	2 3/4	2 3/8
2710-2-50	300 - 500	.630 - .813	3/4	2 11/16	2 1/2
2710-2-75	550 - 750	.855 - .998	15/16	2 5/8	3
2710-2-100	800 - 1000	1.031 - 1.152	1	3 1/4	3 11/16

1/4" HARDWARE PROVIDED FOR "T".  
SPECIFY OTHER "T" IF REQUIRED. E.G. "2710-2-30-T 1/2"

CONNECTORS SUPPLIED WITH CLAMPING HARDWARE IN ACCORDANCE WITH NEMA STANDARD (CC 1)

**TYPE NTB**

**GROUND CLAMP  
BRAID TO PIPE OR ROD**

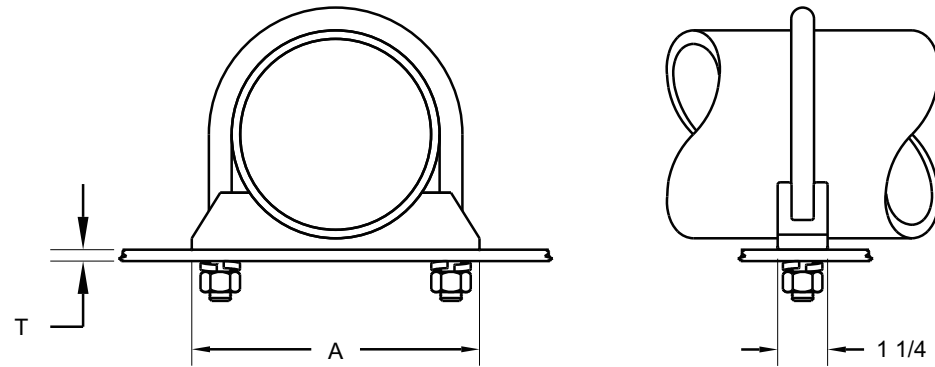


HOMAC CATALOG NUMBER	SPS	ROD	A	B
NTB-C	1/2	3/4	2 3/8	1 3/8
NTB-E	3/4	1		
NTB-F	1	1 1/4	2 5/8	
NTB-G	1 1/4	1 1/2	3	1 3/4
NTB-H	1 1/2	—		
NTB-J	2		4 1/4	
NTB-K	2 1/2		4 1/2	
NTB-L	3		5 1/8	2 1/4
NTB-M	3 1/2		5 3/4	
NTB-P	4		6 1/8	2 1/2
NTB-R	5		7 1/2	1 1/2
NTB-S	6		8 3/8	1 3/4

OTHER SIZES ARE AVAILABLE, CONSULT THE FACTORY  
CONNECTORS SUPPLIED WITH CLAMPING HARDWARE IN ACCORDANCE WITH NEMA STANDARD (CC 1)

## TYPE VGH

GROUND CONNECTOR  
PIPE TO FLAT



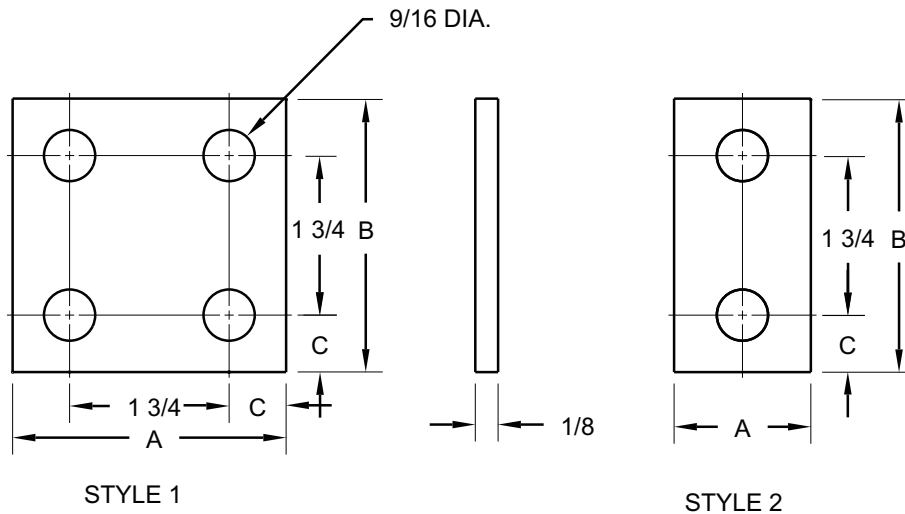
HOMAC CATALOG NUMBER	SPS	A
VGH-C	1/2	2 1/8
VGH-E	3/4	2 3/8
VGH-F	1	2 7/8
VGH-G	1 1/4	3
VGH-H	1 1/2	3 1/2
VGH-J	2	4 1/4
VGH-K	2 1/2	4 11/16
VGH-L	3	5 3/8
VGH-M	3 1/2	5 7/8
VGH-P	4	6 3/16
VGH-R	5	7 1/4
VGH-S	6	8 1/2

1/4" HARDWARE PROVIDED FOR "T".  
SPECIFY OTHER "T" IF REQUIRED. E.G. "VGH-R-T 1/2"

CONNECTORS SUPPLIED WITH CLAMPING HARDWARE IN ACCORDANCE WITH NEMA STANDARD (CC 1)

**BRONZE**

## TRANSITION PLATES



CATALOG NUMBER	STYLE	A	B	C
GB-9557-1.5	2	1 1/2	3	5/8
GB-9557-2		2		
GB-9557-3	1	3	4	1 1/8
GB-9557-4		4		

MATERIAL: COPPER

FINISH: TIN-PLATED

**BRONZE**

**EXTRA HIGH VOLTAGE**

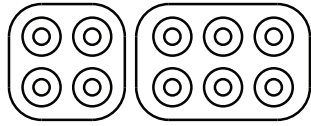
**THE  
HOMAC  
COMPANIES**



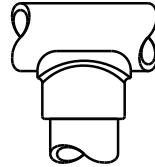




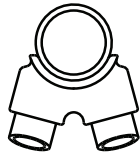
**EHV CONNECTORS**  
**Pictorial Index**



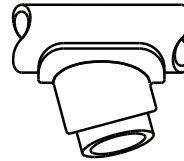
PAD SHIELDS  
PAGE EHV-01



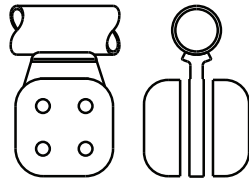
TYPE WAA-CF  
PAGE EHV-02



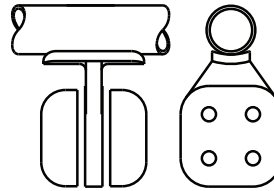
TYPE WAA-15-CF  
PAGE EHV-03



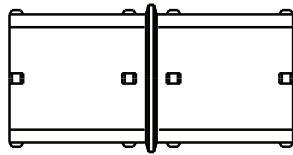
TYPE WAV-15-CF  
PAGE EHV-04



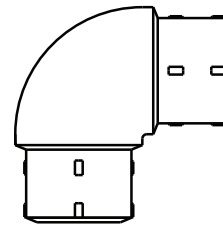
TYPE WAY-CF  
PAGE EHV-05



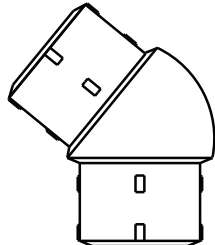
TYPE WAY-90-CF  
PAGE EHV-05



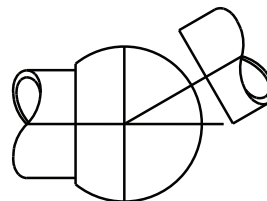
TYPE WALB-CF  
PAGE EHV-06



TYPE WAKA-90-CF  
PAGE EHV-07

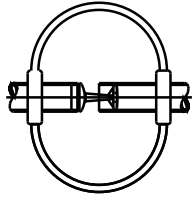


TYPE WAKA-45-CF  
PAGE EHV-07

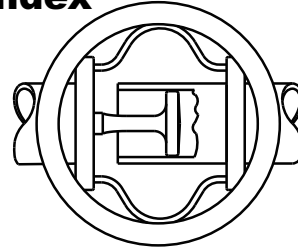


TYPE WASC-CF  
PAGE EHV-08

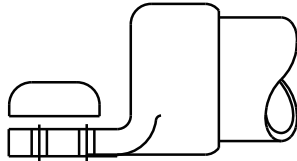
**EHV CONNECTORS**  
**Pictorial Index**



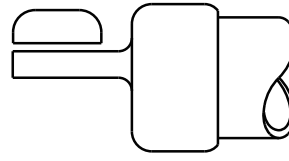
TYPE WAFG-CF  
PAGE EHV-09



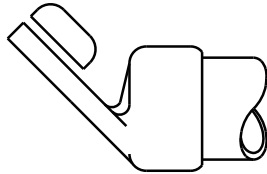
TYPE WAFG-CR-CF  
PAGE EHV-10



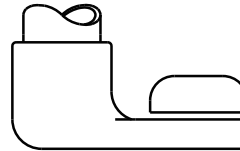
TYPE WAP-CF  
PAGE EHV-11



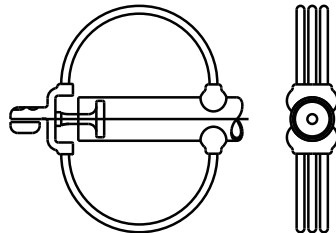
TYPE WAP-CT-CF  
PAGE EHV-12



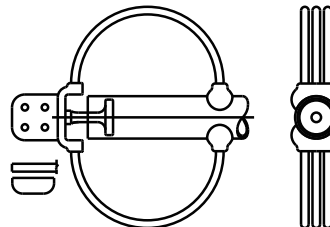
TYPE WAP-45-CF  
PAGE EHV-13



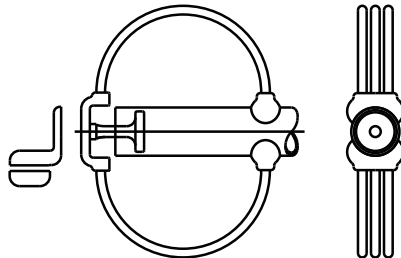
TYPE WAP-90-CF  
PAGE EHV-14



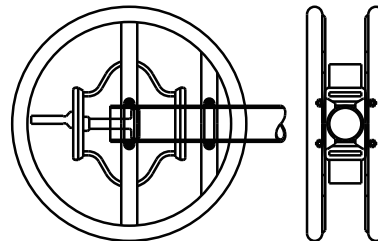
TYPE WAFF-CF  
PAGE EHV-15



TYPE WAFF-B-CF  
PAGE EHV-16

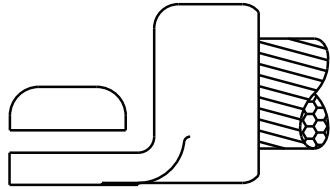


TYPE WAFF-A-CF  
PAGE EHV-17

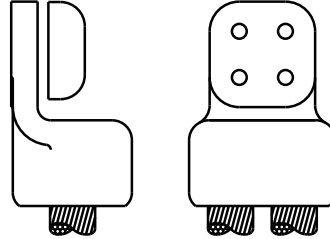


TYPE WAFF-CT-CR-CF  
PAGE EHV-18

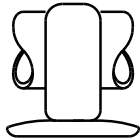
**EHV CONNECTORS**  
**Pictorial Index**



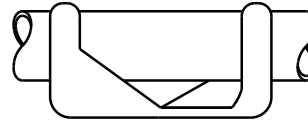
TYPE WAGL,-45,-90,-CF  
PAGE EHV-19



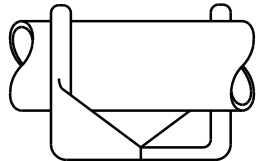
TYPE WAGL-2,-45,-90,-CF  
PAGE EHV-20



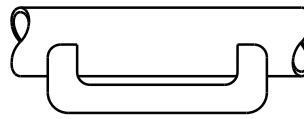
TYPE WAXB-CF  
PAGE EHV-21



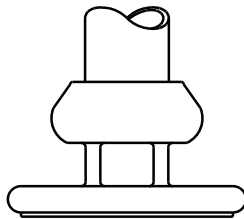
TYPE WAXP-CF  
PAGE EHV-22



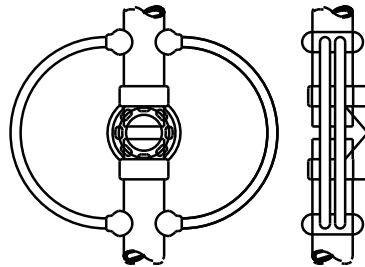
TYPE WAXC-CF  
PAGE EHV-23



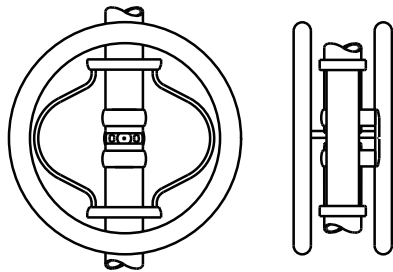
TYPE WAST-CF  
PAGE EHV-24



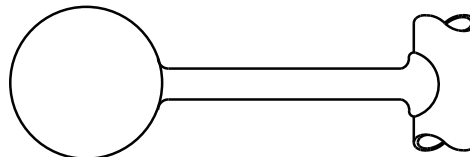
TYPE WAXY-CF  
PAGE EHV-25



TYPE WAFS-CF  
PAGE EHV-26

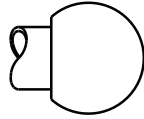


TYPE WAFS-CR-CF  
PAGE EHV-27

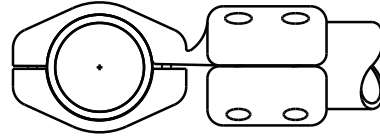


TYPE WP-CF  
PAGE EHV-28

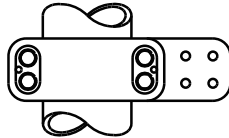
**EHV CONNECTORS  
Pictorial Index**



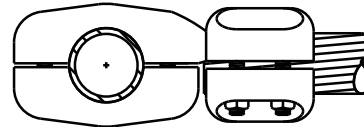
TYPE WVM-CF  
PAGE EHV-29



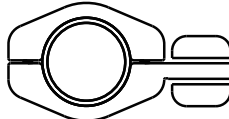
TYPE AVA-CF  
PAGE EHV-30



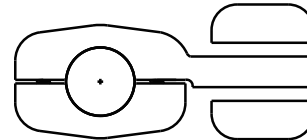
TYPE AVAA-CF  
PAGE EHV-31



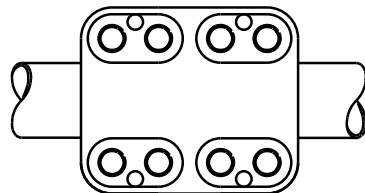
TYPE AVB-CF  
PAGE EHV-32 - EHV-33



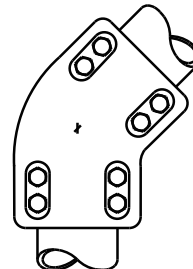
TYPE AVC-CF  
PAGE EHV-34 - EHV-35



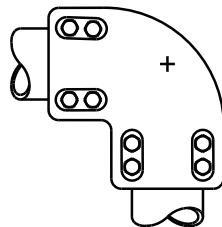
TYPE AVD-CF  
PAGE EHV-36



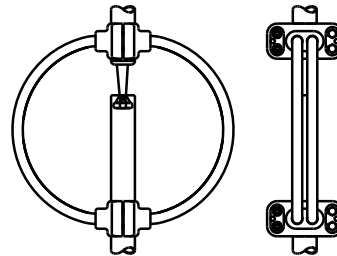
TYPE AVLA-CF  
PAGE EHV-37



TYPE AVKA-45-CF  
PAGE EHV-38

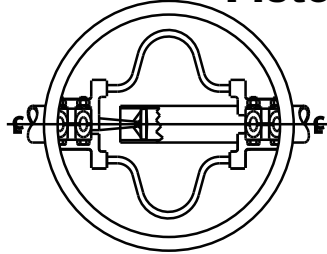


TYPE AVKA-90-CF  
PAGE EHV-38

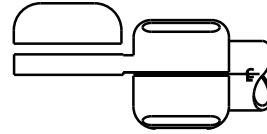


TYPE AFG-CF  
PAGE EHV-39

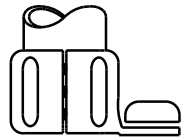
**EHV CONNECTORS**  
**Pictorial Index**



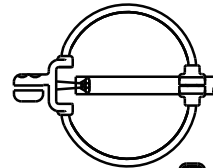
TYPE AFG-CR-CF  
 PAGE EHV-40



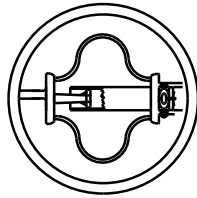
TYPE AVP-CT-CF  
 PAGE EHV-41



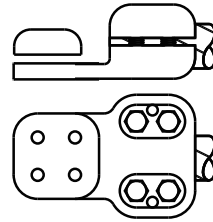
TYPE AVP-90-CF  
 PAGE EHV-42



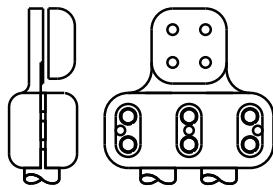
TYPE AFF-CT-CF  
 PAGE EHV-43



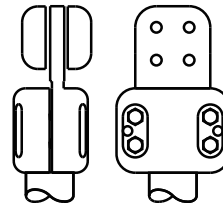
TYPE AFF-CT-CR-CF  
 PAGE EHV-44



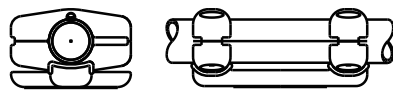
TYPE AGL-CF  
 PAGE EHV-45



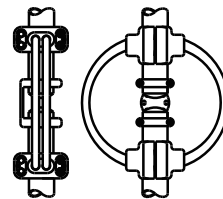
TYPE AGL-2-CF  
 PAGE EHV-46



TYPE AVIE-CF  
 PAGE EHV-47



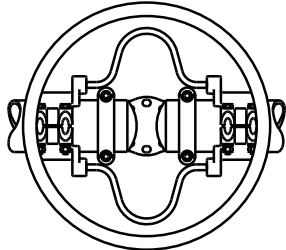
TYPE AVXE-CF  
 PAGE EHV-48



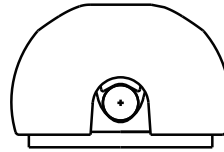
TYPE AFS-CF  
 PAGE EHV-49

**EHV**

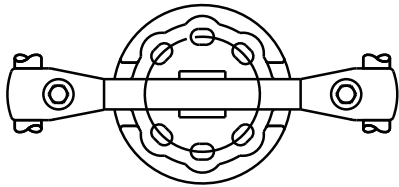
**EHV CONNECTORS**  
**Pictorial Index**



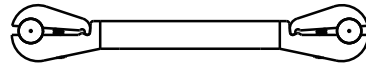
TYPE AFS-CR-CF  
 PAGE EHV-50



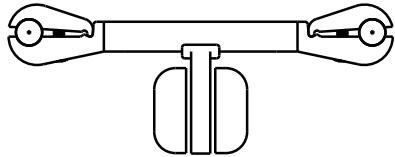
TYPE AVXA-CF  
 PAGE EHV-51



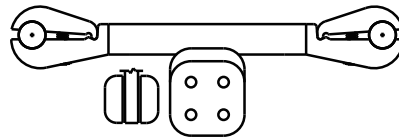
TYPE AVXA-2-CF  
 PAGE EHV-52



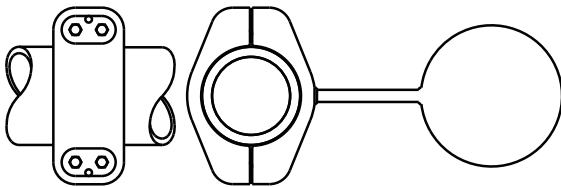
TYPE AS-CF  
 PAGE EHV-53



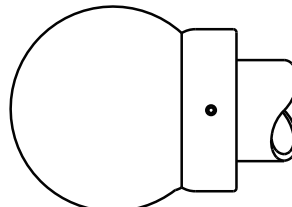
TYPE ASLA-CF  
 PAGE EHV-54



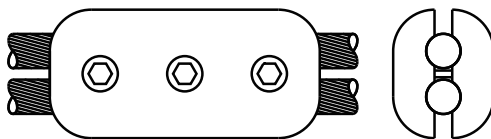
TYPE ASLA-90-CF  
 PAGE EHV-55



TYPE AP-CF  
 PAGE EHV-56

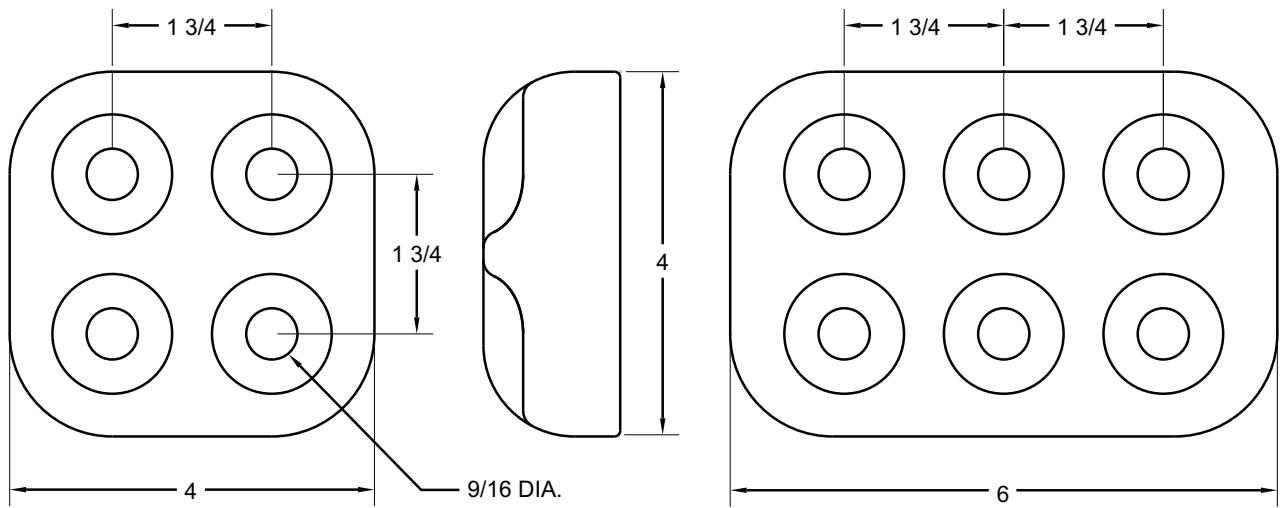


TYPE AVM-CF  
 PAGE EHV-57



TYPE AVW-CF  
 PAGE EHV-58

**PAD SHIELD**

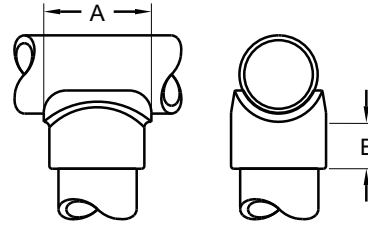


HOMAC CATALOG NUMBER	SIZE
EH-1188 / VAPP-4NN	4 X 4
EH-1186 / VAPP-6NW	4 X 6

PAD SURFACE IS FINISHED

## TYPE WAA-CF

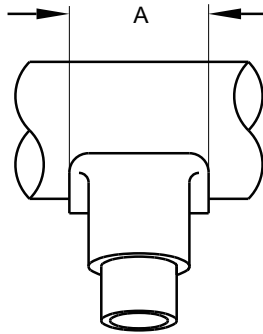
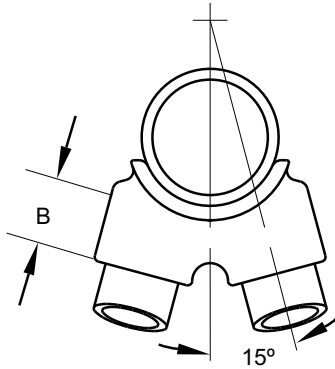
WELD TEE CONNECTOR  
PIPE TO PIPE



HOMAC CATALOG NUMBER	RUN SPS	TAP SPS	A	B
EH-3188	2	2	2 1/2	1
EH-3189	2 1/2		3 5/8	
EH-3190			2 1/2	4 1/8
EH-3191	3	2	3 5/8	1
EH-3192		2 1/2	4 1/8	
EH-3193		3	4 7/8	
EH-3194	3 1/2	2	3 5/8	1
EH-3195		2 1/2	4 1/8	
EH-3196		3	4 7/8	1 1/4
EH-3197		3 1/2	5 3/8	1 1/2
EH-3198	4	2	3 5/8	1
EH-3199		2 1/2	4 1/8	
EH-3200		3	4 7/8	1 1/4
EH-3201		3 1/2	5 3/8	1 1/2
EH-3202		4	5 7/8	
EH-3203	5	2	3 5/8	1
EH-3204		2 1/2	4 1/8	
EH-3205		3	4 7/8	1 1/4
EH-3206		3 1/2	5 3/8	1 1/2
EH-3207		4	5 7/8	
EH-3208		5	6 7/8	
EH-3209	6	2	3 5/8	1
EH-3210		2 1/2	4 1/8	
EH-3211		3	4 7/8	1 1/4
EH-3212		3 1/2	5 3/8	1 1/2
EH-3213		4	5 7/8	
EH-3214		5	6 7/8	
EH-3215		6	8	



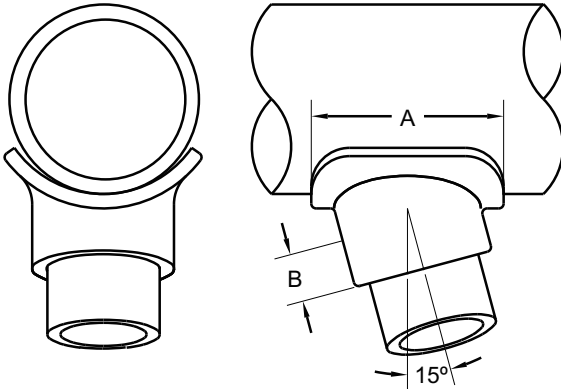
**SUBSTATION PRODUCTS**



**TYPE WAA-15-CF**

WELD VEE CONNECTOR  
PIPE RUN TO (2) PIPE TAPS  
EACH AT 15°

HOMAC CATALOG NUMBER	RUN SPS	TAP SPS	A	B
EH-3250	2	2	3 5/8	1
EH-3251	2 1/2	2 1/2	4 1/8	1 1/4
EH-3252				
EH-3253	3	2	3 5/8	1
EH-3254		2 1/2	4 1/8	1 1/4
EH-3255		3	4 7/8	
EH-3256	3 1/2	2	3 5/8	1
EH-3257		2 1/2	4 1/8	1 1/4
EH-3258		3	4 7/8	
EH-3259		3 1/2	5 3/8	1 1/2
EH-3260	4	2	3 5/8	1
EH-3261		2 1/2	4 1/8	1 1/4
EH-3262		3	4 7/8	
EH-3263		3 1/2	5 3/8	1 1/2
EH-3264		4	5 7/8	
EH-3265	5	2	3 5/8	1
EH-3266		2 1/2	4 1/8	1 1/4
EH-3267		3	4 7/8	
EH-3268		3 1/2	5 3/8	1 1/2
EH-3269		4	5 7/8	
EH-3270		5	6 7/8	
EH-3271	2	3 5/8	1	
EH-3272	6	2 1/2	4 1/8	1 1/4
EH-3273		3	4 7/8	
EH-3274		3 1/2	5 3/8	1 1/2
EH-3275		4	5 7/8	
EH-3276		5	6 7/8	
EH-3277		6	8	



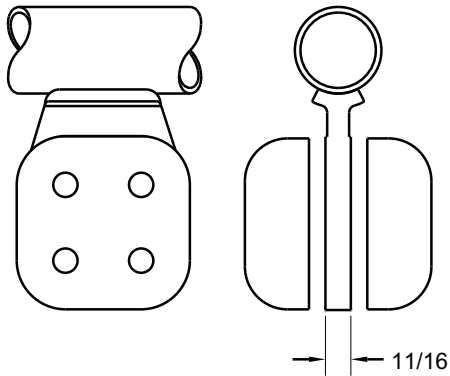
## TYPE WAV-15-CF

WELD TEE CONNECTOR  
PIPE RUN TO PIPE TAP  
AT 15°

HOMAC CATALOG NUMBER	RUN SPS	TAP SPS	A	B
EH-3280	2	2	3 5/8	1
EH-3281	2 1/2			
EH-3282		2 1/2	4 1/8	1 1/4
EH-3283	3	2	3 5/8	1
EH-3284		2 1/2	4 1/8	
EH-3285		3	4 7/8	1 1/4
EH-3286	3 1/2	2	3 5/8	1
EH-3287		2 1/2	4 1/8	
EH-3288		3	4 7/8	1 1/4
EH-3289		3 1/2	5 3/8	1 1/2
EH-3290	4	2	3 5/8	1
EH-3291		2 1/2	4 1/8	
EH-3292		3	4 7/8	1 1/4
EH-3293		3 1/2	5 3/8	1 1/2
EH-3294		4	5 7/8	
EH-3295	5	2	3 5/8	1
EH-3296		2 1/2	4 1/8	
EH-3297		3	4 7/8	1 1/4
EH-3298		3 1/2	5 3/8	1 1/2
EH-3299		4	5 7/8	
EH-3300		5	6 7/8	
EH-3301	6	2	3 5/8	1
EH-3302		2 1/2	4 1/8	
EH-3303		3	4 7/8	1 1/4
EH-3304		3 1/2	5 3/8	1 1/2
EH-3305		4	5 7/8	
EH-3306		5	6 7/8	
EH-3307		6	8	

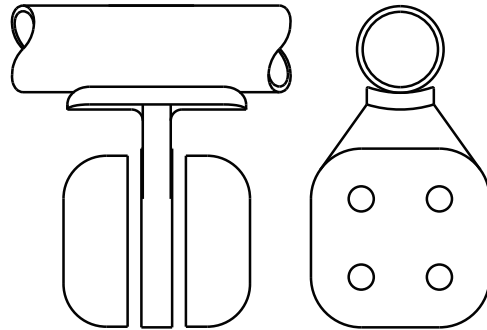
### TYPE WAY-CF

WELD TEE CONNECTOR  
PIPE RUN TO FLAT TAP

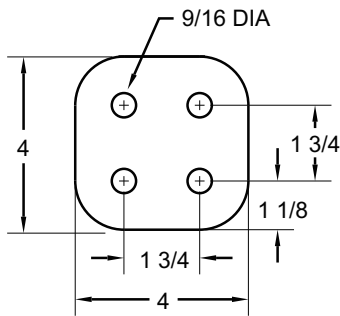


### TYPE WAY-90-CF

WELD TEE CONNECTOR  
PIPE RUN TO FLAT TAP



NORMALLY USED WITH A PAD SHIELD (SOLD SEPARATELY - SEE PAGE EHV-01)



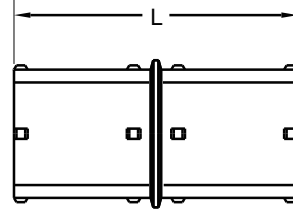
4" 4 HOLE NEMA FLAT

HOMAC CATALOG NUMBER		SPS
WAY-CF	WAY-90-CF	
EH-3886	EH-3896	1 - 2 1/2
EH-3887	EH-3897	3 - 6

ALL PADS ARE FINISHED ON BOTH SIDES

## TYPE WALB-CF

WELD COUPLER  
PIPE TO PIPE

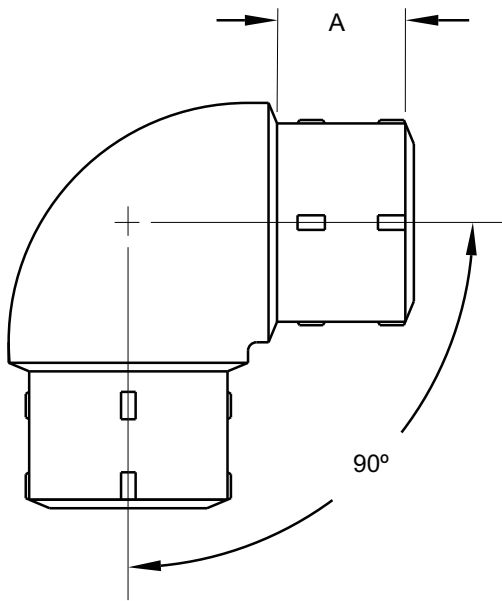


HOMAC CATALOG NUMBER	RUN SPS	TAP SPS	L
EH-3150	2	2	4 1/2
EH-3151	2 1/2		5
EH-3152		2 1/2	5 1/2
EH-3153	3	2	5 1/4
EH-3154		2 1/2	5 3/4
EH-3155		3	6 1/4
EH-3156	3 1/2	2	5 3/4
EH-3157		2 1/2	6 1/4
EH-3158		3	6 3/4
EH-3159		3 1/2	7 1/4
EH-3160	4	2	6 3/8
EH-3161		2 1/2	6 7/8
EH-3162		3	7 3/8
EH-3163		3 1/2	7 7/8
EH-3164		4	8 3/8
EH-3165	5	2	7 3/8
EH-3166		2 1/2	7 7/8
EH-3167		3	8 3/8
EH-3168		3 1/2	8 7/8
EH-3169		4	9 3/8
EH-3170		5	10 3/8
EH-3171	6	2	8 3/8
EH-3172		2 1/2	8 7/8
EH-3173		3	9 3/8
EH-3174		3 1/2	9 7/8
EH-3175		4	10 3/8
EH-3176		5	11 3/8
EH-3177		6	12 3/8

FOR SCHEDULE 80 PIPE, ADD "-EH" TO CATALOG NUMBER; E.G. "EH-3177-EH"

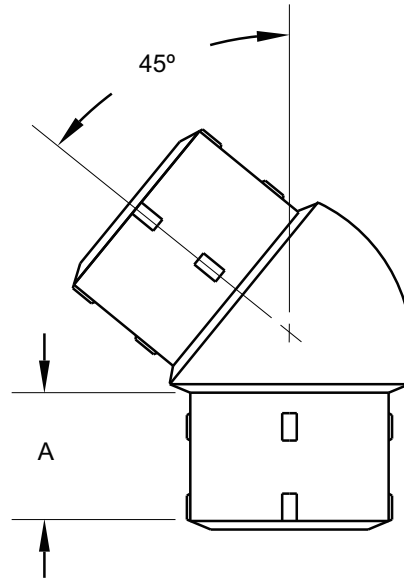
**TYPE WAKA-90-CF**

WELD ELBOW  
PIPE TO PIPE



**TYPE WAKA-45-CF**

WELD ELBOW  
PIPE TO PIPE

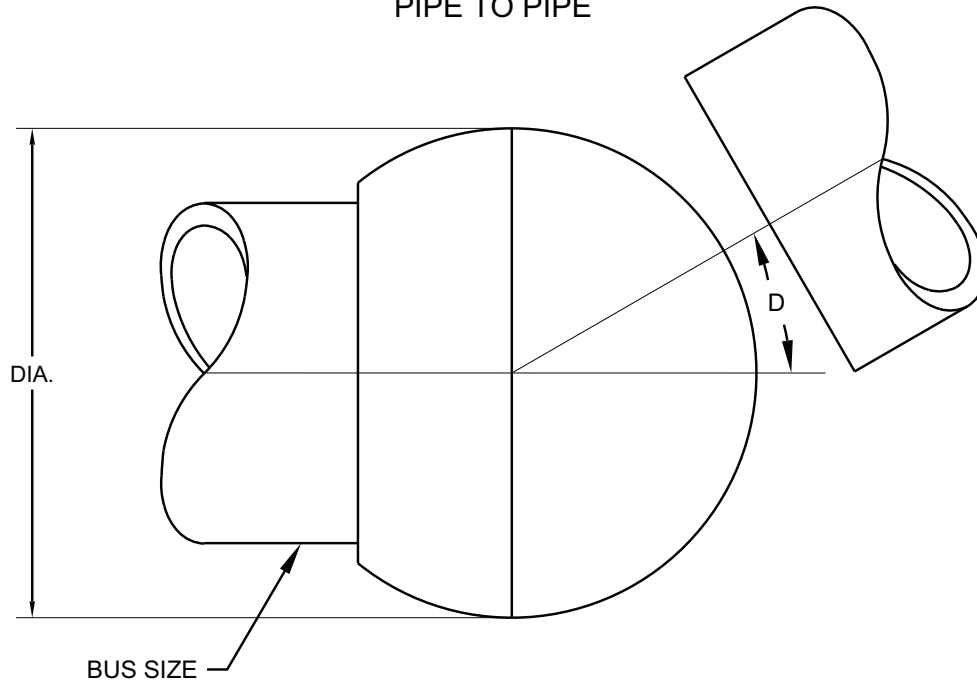


HOMAC CATALOG NUMBER		SPS	A
90 DEGREE	45 DEGREE		
EH-3380	EH-3370	2	3
EH-3381	EH-3371	2 1/2	
EH-3382	EH-3372	3	
EH-3383	EH-3373	3 1/2	4
EH-3384	EH-3374	4	5
EH-3385	EH-3375	5	
EH-3386	EH-3376	6	6

FOR SCHEDULE 80 PIPE, ADD "EH" TO CATALOG NUMBER; E.G. "EH-3380-EH"  
 FOR OTHER CONFIGURATIONS, CONSULT THE FACTORY

## TYPE WASC-CF

WELD SPHERICAL COUPLER  
PIPE TO PIPE



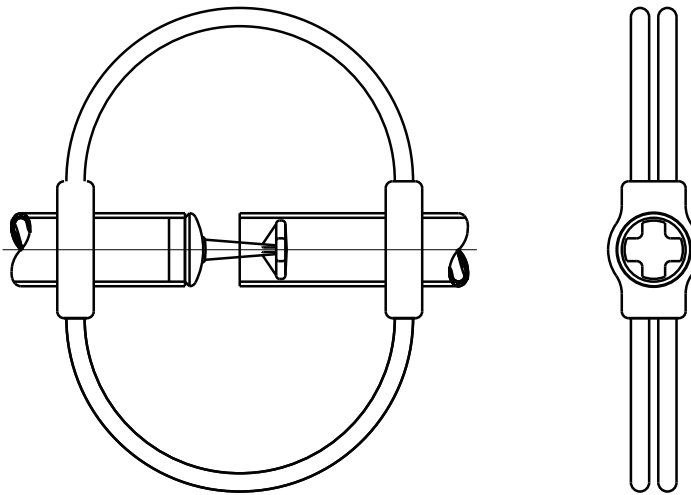
THIS CONNECTOR IS ESPECIALLY USEFUL WHERE SITE GRADING PRECLUDES A FLAT YARD OR WHERE PROPERTY LINES REQUIRE THE TURNING OF ODD HORIZONTAL ANGLES. ALSO SUITABLE FOR SUB-EHV VOLTAGES. INSTALLED AT 500 KV

HOMAC CATALOG NUMBER	SPS BUS SIZE	DIA.	D MAX*
EH-900-2	2	8	134°
EH-900-2.5	2 1/2		127°
EH-900-3	3		117°
EH-900-3.5	3 1/2		109°
EH-900-4	4		100°
EH-900-5	5		81°
EH-900-6	6		57°

\* INDICATES MAXIMUM ANGLE THAT CAN BE TURNED WHEN CONDUCTORS OF SAME SIZE ARE COUPLED. THE ANGLE EXISTS IN THE PLANE DEFINED BY CENTERLINES OF THE CONDUCTORS. ANGLES INDICATED ALLOW FOR A MINIMUM OF 1 1/2 INCHES OF WELDING SPACE. ONE PIPE INSERTS INTO CONNECTOR AND IS KEYED IN POSITION BY CONNECTOR. SECOND PIPE IS BROUGHT INTO POSITION AND WELDED TO EXTERNAL SURFACE OF BALL. THIS CONNECTOR CAN ALSO BE USED AS A REDUCER. ORDER LARGE BUS SIZE AND WELD SMALLER BUS TO EXTERNAL SURFACE OF SPHERE. CONSULT THE FACTORY FOR MORE INFORMATION.

## TYPE WAFG-CF

WELD EXPANSION COUPLER  
 PIPE TO PIPE  
 (345 KV NOMINAL SYSTEM VOLTAGE)



HOMAC CATALOG NUMBER	SPS	NUMBER OF CONDUCTORS*
EH-3401	2	4
EH-3402	2 1/2	
EH-3403	3	
EH-3404	3 1/2	
EH-3405	4	6
EH-3406	5	
EH-3407	6	

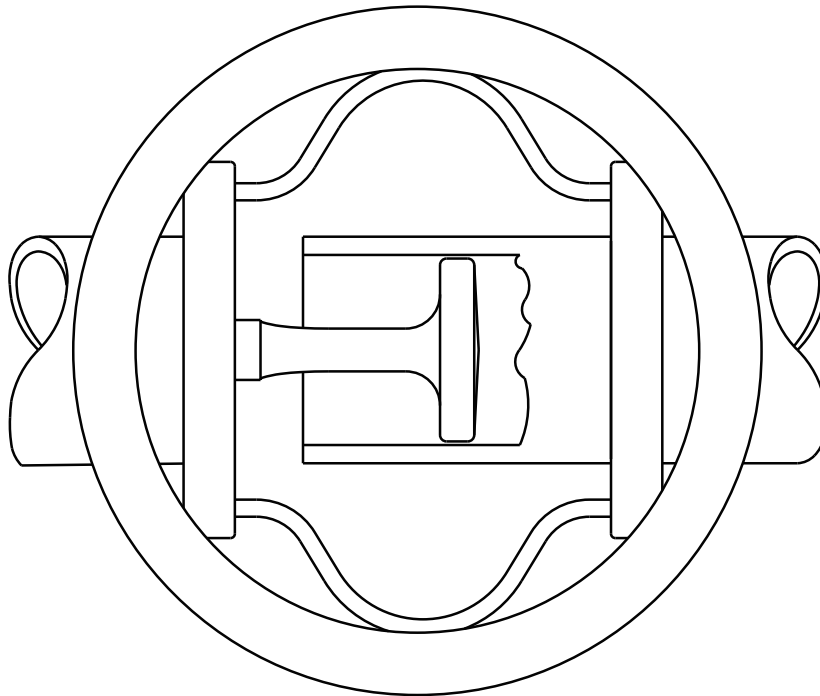
\* CONDUCTORS ARE ALUMINUM 795 AAC

USE CHART GA-735 ON GENERAL REFERENCE PAGE 24 FOR INSTALLATION  
 FOR SCHEDULE 80 PIPE, ADD "EH" TO CATALOG NUMBER; E.G. "EH-3407-EH"

**EHV**

## TYPE WAFG-CR-CF

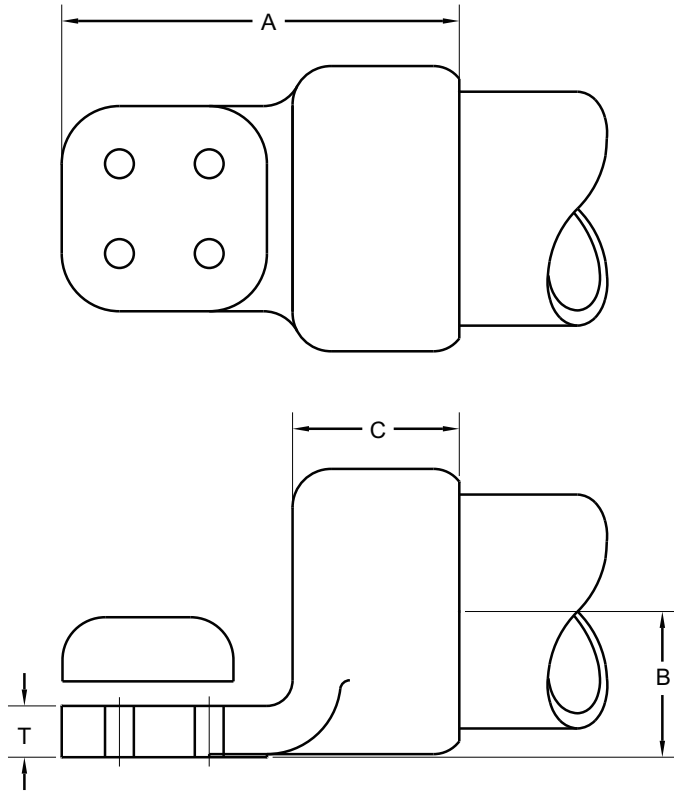
WELD EXPANSION COUPLER  
PIPE TO PIPE  
(500 KV NOMINAL SYSTEM VOLTAGE)



HOMAC CATALOG NUMBER	SPS
EH-3600	2
EH-3601	2 1/2
EH-3602	3
EH-3603	3 1/2
EH-3604	4
EH-3605	5
EH-3606	6

USE CHART GA-735 ON GENERAL REFERENCE PAGE 24 FOR INSTALLATION  
FOR SCHEDULE 80 PIPE, ADD "EH" TO CATALOG NUMBER; E.G. "EH-3600-EH"





## TYPE WAP-CF

WELD TERMINAL  
PIPE TO FLAT

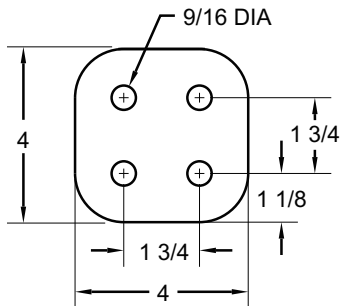
NORMALLY USED WITH A PAD SHIELD (SOLD SEPARATELY - SEE PAGE EHV-01)

HOMAC CATALOG NUMBER	SPS	A	B	C	T
EH-3001	2	6 1/2	1 1/4	1 3/4	5/8
EH-3002	2 1/2	6 3/4	1 1/2	2	
EH-3003	3	7 1/4	1 3/4	2 1/2	3/4
EH-3004	3 1/2	7 1/2	2	2 3/4	
EH-3005	4	7 3/4	2 1/4	3	1
EH-3006	5	8 1/4	2 3/4	3 1/2	
EH-3007	6	9 1/4	3 1/2	4	

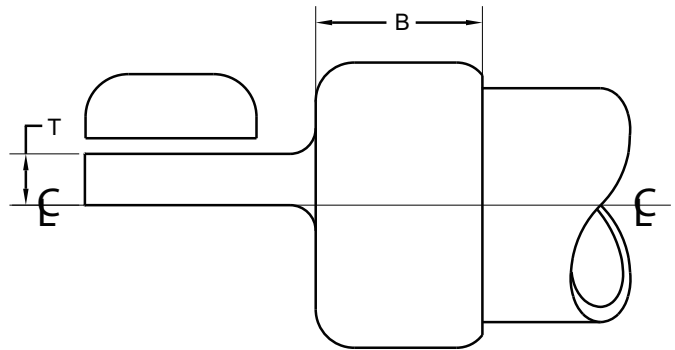
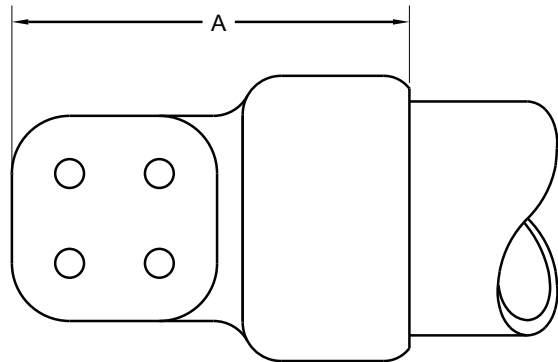
ALL PADS ARE FINISHED ON BOTH SIDES

## TYPE WAP-CT-CF

WELD TERMINAL  
PIPE TO FLAT



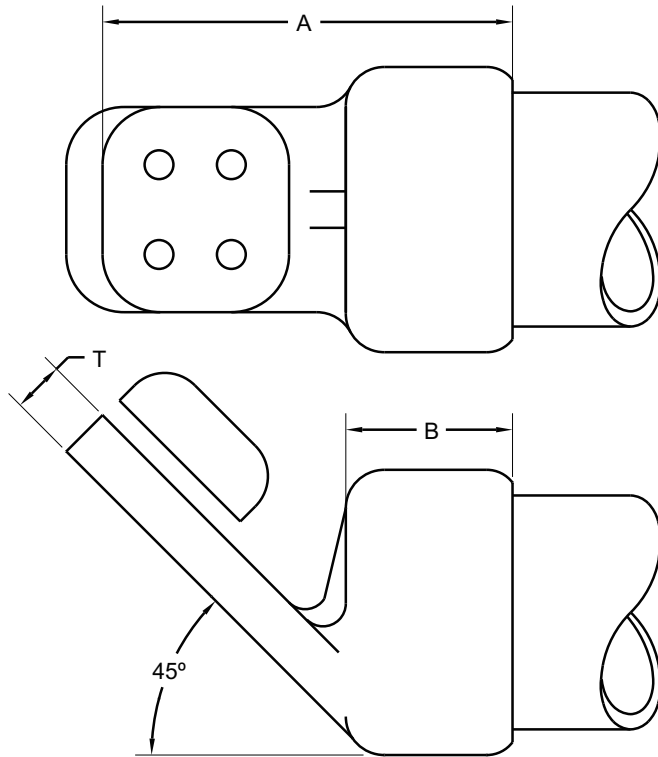
4" 4-HOLE NEMA FLAT



NORMALLY USED WITH A PAD SHIELD (SOLD SEPARATELY - SEE PAGE EHV-01)

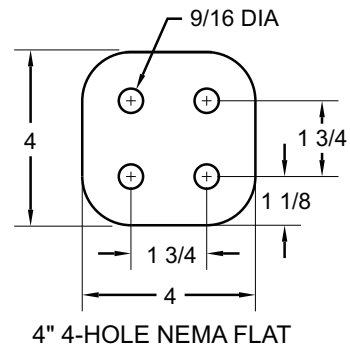
HOMAC CATALOG NUMBER	SPS	A	B	T
EH-3011	2	6 1/2	1 1/4	5/8
EH-3012	2 1/2	6 3/4	1 1/2	
EH-3013	3	7 1/4	1 3/4	3/4
EH-3014	3 1/2	7 1/2	2	
EH-3015	4	7 3/4	2 1/4	1
EH-3016	5	8 1/4	2 3/4	
EH-3017	6	9 1/4	3 1/2	

ALL PADS ARE FINISHED ON BOTH SIDES



## TYPE WAP-45-CF

45° WELD TERMINAL  
PIPE TO FLAT



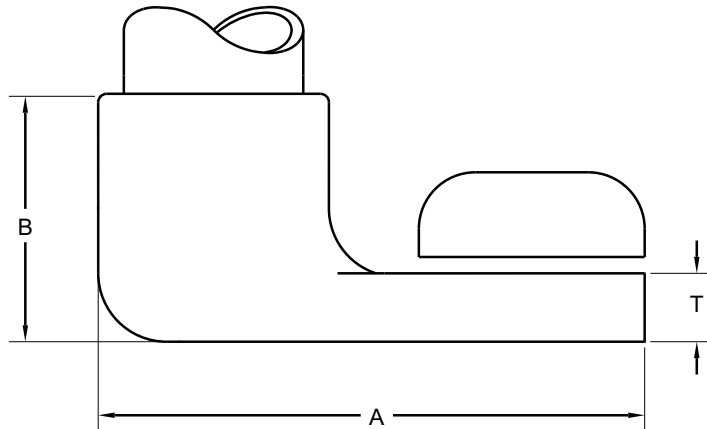
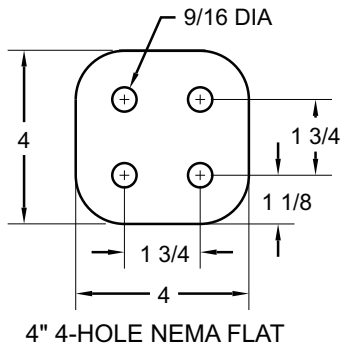
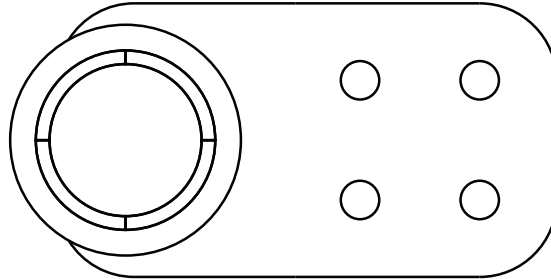
NORMALLY USED WITH A PAD SHIELD (SOLD SEPARATELY - SEE PAGE EHV-01)

HOMAC CATALOG NUMBER	SPS	A	B	T
EH-3021	2	6 1/2	1 1/4	5/8
EH-3022	2 1/2	6 3/4	1 1/2	
EH-3023	3	7 1/4	1 3/4	3/4
EH-3024	3 1/2	7 1/2	2	
EH-3025	4	7 3/4	2 1/4	1
EH-3026	5	8 1/4	2 3/4	
EH-3027	6	9 1/4	3 1/2	

ALL PADS ARE FINISHED ON BOTH SIDES

## TYPE WAP-90-CF

90° WELD TERMINAL  
PIPE TO FLAT



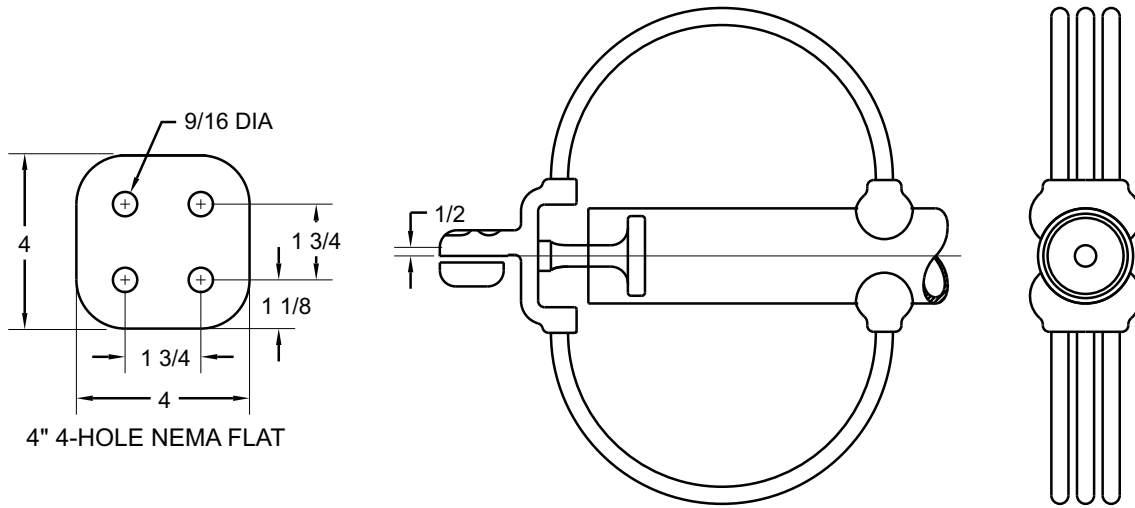
NORMALLY USED WITH A PAD SHIELD (SOLD SEPARATELY - SEE PAGE EHV-01)

HOMAC CATALOG NUMBER	SPS	A	B	T
EH-3429	2	7 7/8	1 1/4	5/8
EH-3430	2 1/2	8	1 1/2	
EH-3431	3	8 3/4	1 3/4	3/4
EH-3432	3 1/2	9 1/4	2	
EH-3433	4	9 3/4	2 1/4	1
EH-3434	5	10 3/4	2 3/4	
EH-3435	6	11 7/8	3 1/2	

ALL PADS ARE FINISHED ON BOTH SIDES

## TYPE WAFF-CF

WELD EXPANSION TERMINAL  
PIPE TO FLAT  
(345 KV NOMINAL SYSTEM VOLTAGE)



NORMALLY USED WITH A PAD SHIELD (SOLD SEPARATELY - SEE PAGE EHV-01)

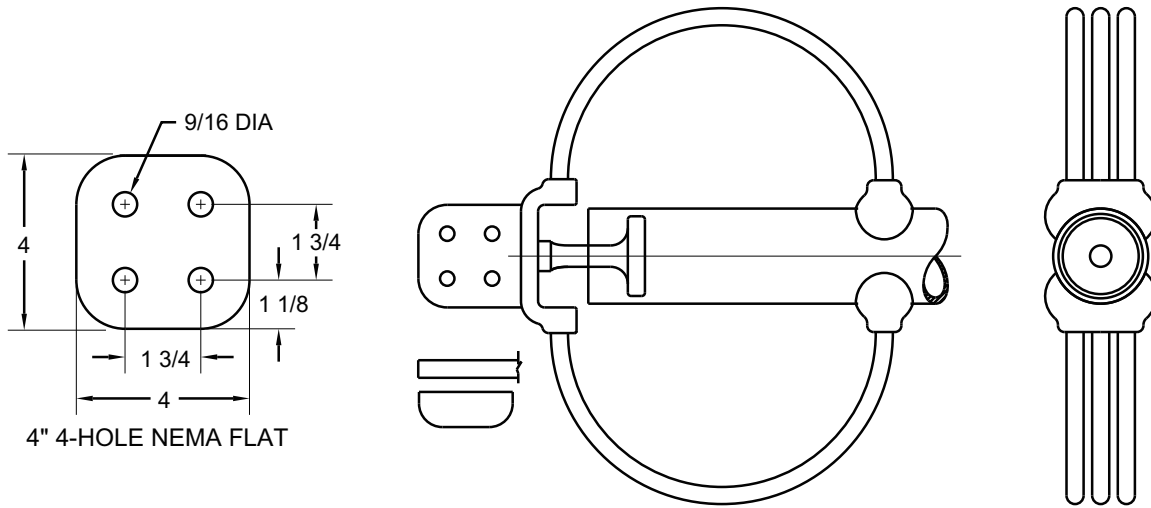
HOMAC CATALOG NUMBER	SPS	NUMBER OF CONDUCTORS*
EH-3181	2	4
EH-3182	2 1/2	
EH-3183	3	
EH-3184	3 1/2	
EH-3185	4	6
EH-3186	5	
EH-3187	6	

\* CONDUCTORS ARE ALUMINUM 795 AAC

USE CHART GA-735 ON GENERAL REFERENCE PAGE 24 FOR INSTALLATION  
FOR SCHEDULE 80 PIPE, ADD "EH" TO CATALOG NUMBER; E.G. "EH-3181-EH"  
ALL PADS ARE FINISHED ON BOTH SIDES

## TYPE WAFF-B-CF

WELD EXPANSION TERMINAL  
PIPE TO FLAT  
(345 KV NOMINAL SYSTEM VOLTAGE)



NORMALLY USED WITH A PAD SHIELD (SOLD SEPARATELY - SEE PAGE EHV-01)

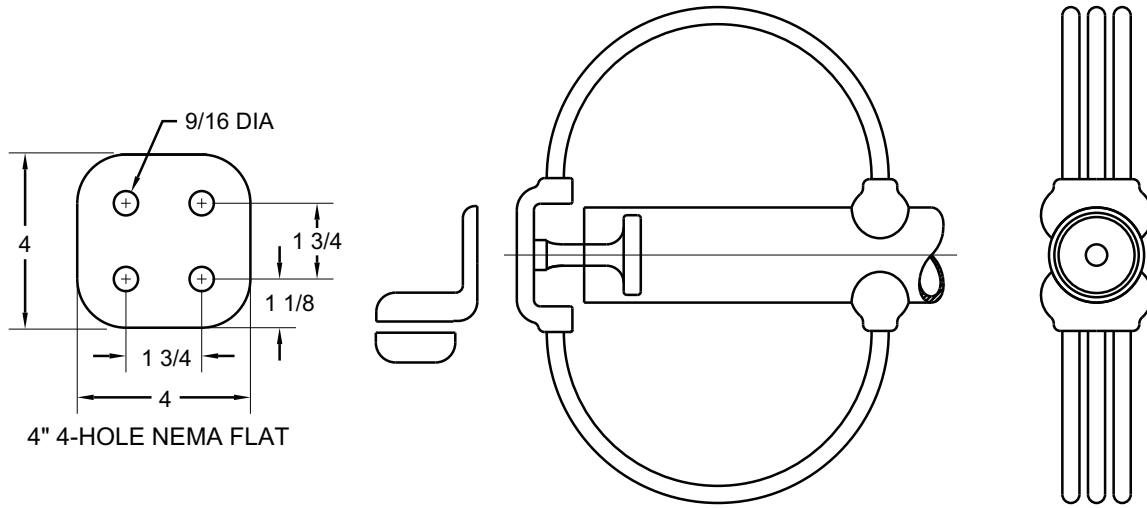
HOMAC CATALOG NUMBER	SPS	NUMBER OF CONDUCTORS*
EH-3491	2	4
EH-3492	2 1/2	
EH-3493	3	
EH-3494	3 1/2	
EH-3495	4	6
EH-3496	5	
EH-3497	6	

\* CONDUCTORS ARE ALUMINUM 795 AAC

USE CHART GA-735 ON GENERAL REFERENCE PAGE 24 FOR INSTALLATION  
FOR SCHEDULE 80 PIPE, ADD "EH" TO CATALOG NUMBER; E.G. "EH-3491-EH"  
ALL PADS ARE FINISHED ON BOTH SIDES

## TYPE WAFF-A-CF

WELD EXPANSION TERMINAL  
WITH FIELD ADJUSTABLE PAD  
PIPE TO FLAT  
(345 KV NOMINAL SYSTEM VOLTAGE)



NORMALLY USED WITH A PAD SHIELD (SOLD SEPARATELY - SEE PAGE EHV-01)

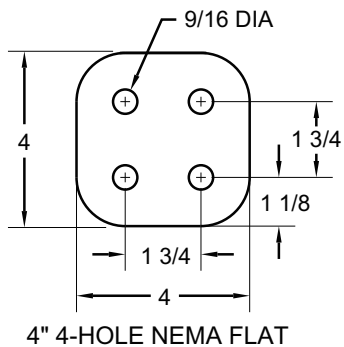
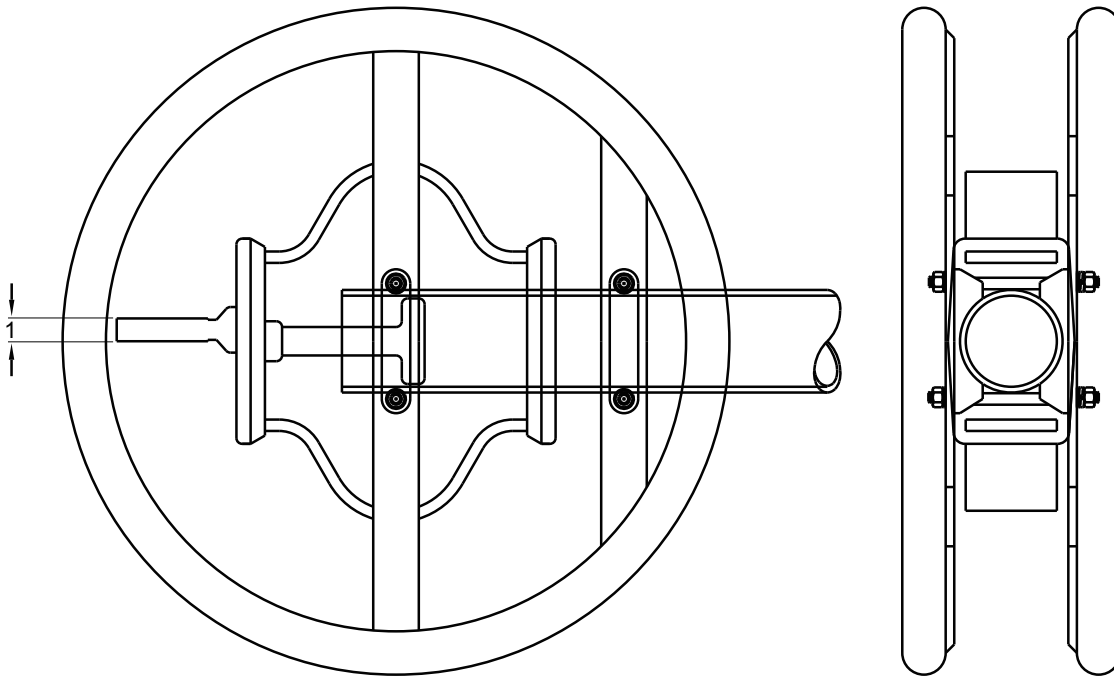
HOMAC CATALOG NUMBER	SPS	NUMBER OF CONDUCTORS*
EH-3454	2	4
EH-3455	2 1/2	
EH-3456	3	
EH-3457	3 1/2	
EH-3458	4	6
EH-3459	5	
EH-3460	6	

\* CONDUCTORS ARE ALUMINUM 795 AAC

MAXIMUM ALLOWABLE ADJUSTMENT, CENTERLINE CONDUCTOR TO SURFACE OF SWITCH,  $\pm 4$ "  
USE CHART GA-735 ON GENERAL REFERENCE PAGE 24 FOR INSTALLATION  
FOR SCHEDULE 80 PIPE, ADD "EH" TO CATALOG NUMBER; E.G. "EH-3454-EH"  
ALL PADS ARE FINISHED ON BOTH SIDES

## TYPE WAFF-CT-CR-CF

WELD EXPANSION COUPLER  
 PIPE TO PIPE  
 (500 KV NOMINAL SYSTEM VOLTAGE)



HOMAC CATALOG NUMBER	SPS
EH-3531	2
EH-3532	2 1/2
EH-3533	3
EH-3534	3 1/2
EH-3535	4
EH-3536	5
EH-3537	6

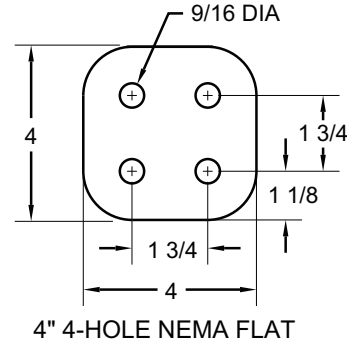
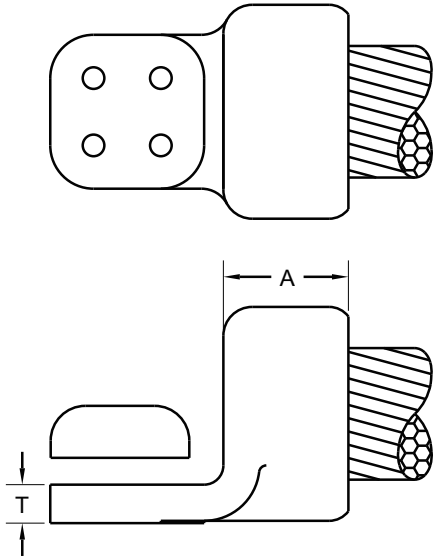
USE CHART GA-735 ON GENERAL REFERENCE PAGE 24 FOR INSTALLATION  
 FOR SCHEDULE 80 PIPE, ADD "EH" TO CATALOG NUMBER; E.G. "EH-3537-EH"

ALL PADS ARE FINISHED ON BOTH SIDES



## TYPE WAGL, -45, -90, -CF

WELD TERMINAL  
 CABLE TO FLAT  
 STRAIGHT, 45°, 90°



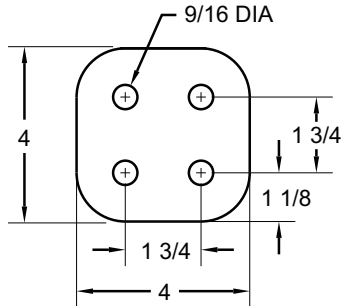
HOMAC CATALOG NUMBER			CABLE RANGE AAC	A	T
STRAIGHT	45 DEGREE	90 DEGREE			
EH-3607	EH-3625	EH-3642	700-715	2	1/2
EH-3608	EH-3626	EH-3643	750		
EH-3609	EH-3627	EH-3644	795-800		
EH-3610	EH-3628	EH-3645	874		
EH-3611	EH-3629	EH-3646	954		
EH-3612	EH-3630	EH-3647	1000-1033		
EH-3613	EH-3631	EH-3648	1113		5/8
EH-3614	EH-3632	EH-3649	1192		
EH-3615	EH-3633	EH-3650	1272		
EH-3616	EH-3634	EH-3651	1590		
EH-3617	EH-3635	EH-3652	2300	2 1/2	3/4
EH-3618	EH-3636	EH-3653	2500		
EH-3619	EH-3637	EH-3654	3000		
EH-3620	EH-3638	EH-3655	3500	3	1
EH-3621	EH-3639	EH-3656	4000		

NORMALLY USED WITH A PAD SHIELD (SOLD SEPARATELY - SEE PAGE EHV-01)  
 ALL PADS ARE FINISHED ON BOTH SIDES

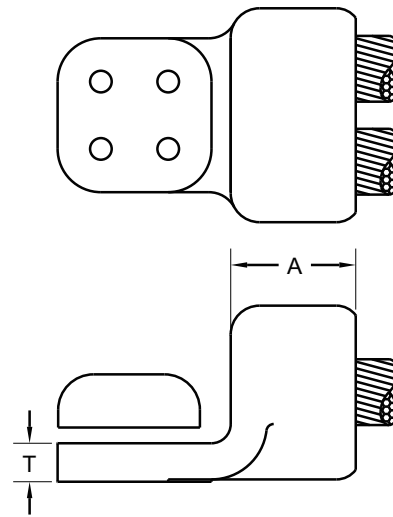
**EHV**

## TYPE WAGL-2, -45, -90, -CF

WELD TERMINAL  
(2) CABLES TO FLAT  
STRAIGHT, 45°, 90°



4" 4-HOLE NEMA FLAT

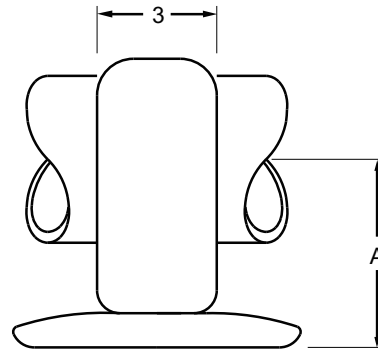
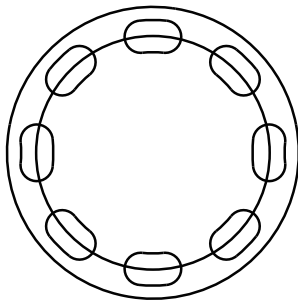


HOMAC CATALOG NUMBER			CABLE RANGE	A	T
STRAIGHT	45 DEGREE	90 DEGREE			
EH-3659	EH-3676	EH-3692	700-715	2	5/8
EH-3660	EH-3677	EH-3693	750		
EH-3661	EH-3678	EH-3694	795-800		
EH-3662	EH-3679	EH-3695	874		
EH-3663	EH-3680	EH-3696	954		
EH-3664	EH-3681	EH-3697	1000-1033		
EH-3665	EH-3682	EH-3698	1113		
EH-3666	EH-3683	EH-3699	1192		
EH-3667	EH-3684	EH-3700	1272		
EH-3668	EH-3685	EH-3701	1590		
EH-3669	EH-3686	EH-3702	2300	2 1/2	1
EH-3670	EH-3687	EH-3703	2500		
EH-3671	EH-3688	EH-3704	3000		
EH-3672	EH-3689	EH-3705	3500		
EH-3673	EH-3690	EH-3706	4000		

NORMALLY USED WITH A PAD SHIELD (SOLD SEPARATELY - SEE PAGE EHV-01)  
ALL PADS ARE FINISHED ON BOTH SIDES

## TYPE WAXB-CF

WELD OR SLIDE BUS SUPPORT  
PIPE TO INSULATOR



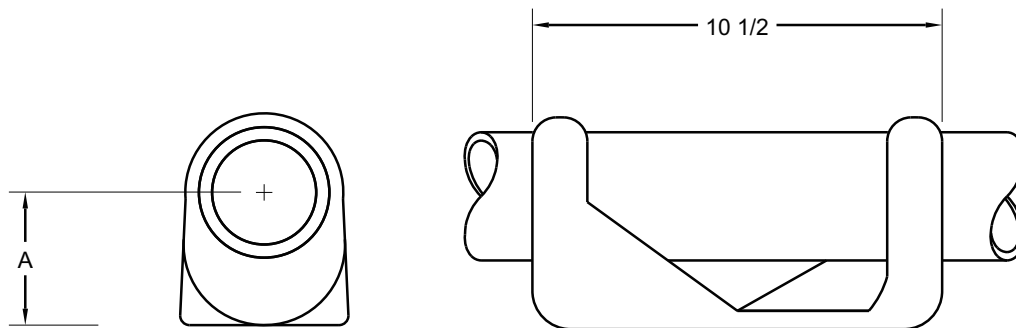
SLOTS: 5" BC 11/16 X 7/8

HOMAC CATALOG NUMBER	SPS	A
<b>5" BOLT CIRCLE</b>		
EH-3070	2	2 3/4
EH-3071	2 1/2	3 1/8
EH-3072	3	3 5/8
EH-3073	3 1/2	4
EH-3074	4	4 1/2
EH-3075	5	5
EH-3076	6	5 1/2

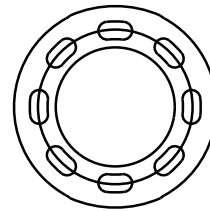
STAINLESS STEEL ANTI-CHATTER SPRING IS SUPPLIED  
GALVANIZED HARDWARE FOR MOUNTING TO INSULATOR IS SUPPLIED

## TYPE WAXP-CF

WELD OR SLIDE BUS SUPPORT  
PIPE TO INSULATOR



HOMAC CATALOG NUMBER	SPS	A
<b>5" BOLT CIRCLE</b>		
EH-3709	2	2 3/4
EH-3710	2 1/2	3 1/8
EH-3711	3	3 5/8
EH-3712	3 1/2	4
EH-3713	4	4 1/2
EH-3714	5	5
EH-3715	6	5 1/2

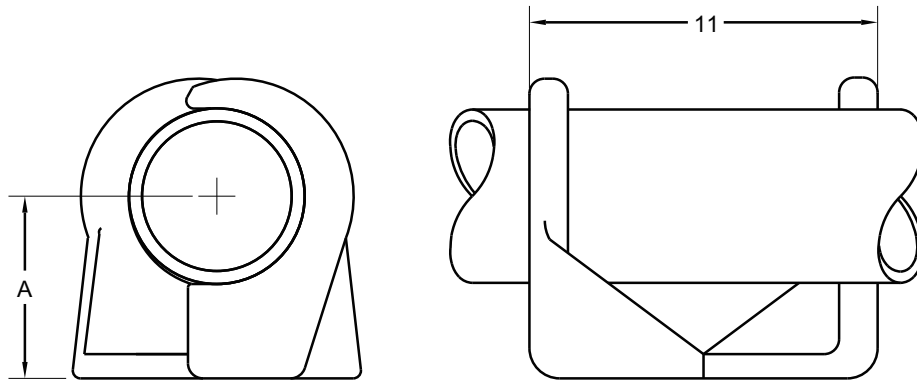


SLOTS: 5" B C 11/16 X 7/8

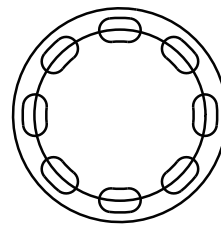
STAINLESS STEEL ANTI-CHATTER SPRINGS ARE SUPPLIED  
GALVANIZED HARDWARE FOR MOUNTING TO INSULATOR IS SUPPLIED

## TYPE WAXC-CF

WELD OR SLIDE BUS SUPPORT  
 HOOK-ON STYLE PIPE TO INSULATOR



HOMAC CATALOG NUMBER	SPS	A
<b>5" BOLT CIRCLE</b>		
EH-3440	2	2 3/4
EH-3441	2 1/2	3 1/8
EH-3442	3	3 5/8
EH-3443	3 1/2	4
EH-3444	4	4 1/2
EH-3445	5	5
EH-3446	6	5 1/2

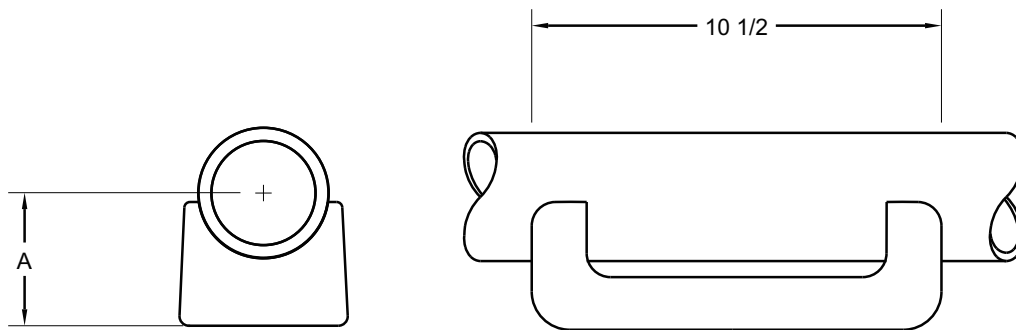


SLOTS: 5" B C 11/16 X 7/8

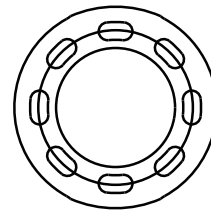
STAINLESS STEEL ANTI-CHATTER SPRINGS ARE SUPPLIED  
 GALVANIZED HARDWARE FOR MOUNTING TO INSULATOR IS SUPPLIED

## TYPE WAST-CF

WELD SLIDE BUS SUPPORT  
PIPE TO INSULATOR



HOMAC CATALOG NUMBER	SPS	A
<b>5" BOLT CIRCLE</b>		
EH-3410	2	2 3/4
EH-3411	2 1/2	3 1/8
EH-3412	3	3 5/8
EH-3413	3 1/2	4
EH-3414	4	4 1/2
EH-3415	5	5
EH-3416	6	5 1/2

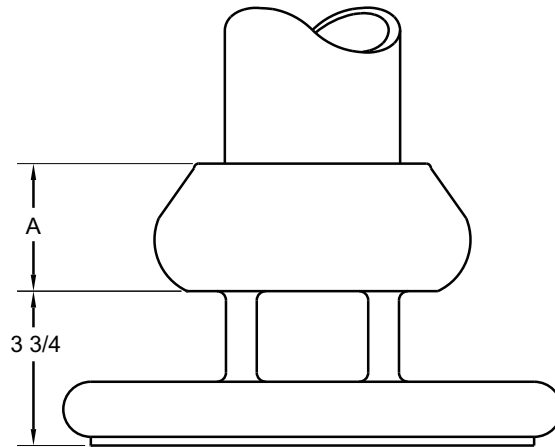


SLOTS: 5" B C 11/16 X 7/8

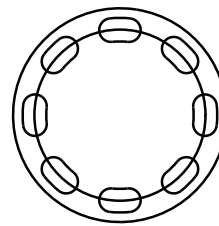
STAINLESS STEEL ANTI-CHATTER SPRINGS ARE SUPPLIED  
GALVANIZED HARDWARE FOR MOUNTING TO INSULATOR IS SUPPLIED

## TYPE WAXY-CF

WELD VERTICAL BUS SUPPORT  
PIPE TO INSULATOR



HOMAC CATALOG NUMBER	SPS	A
<b>5" BOLT CIRCLE</b>		
EH-3100	2	1 3/4
EH-3101	2 1/2	2
EH-3102	3	2 1/2
EH-3103	3 1/2	
EH-3104	4	
EH-3105	5	3
EH-3106	6	

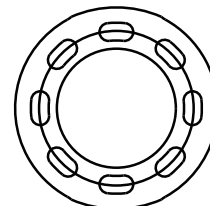
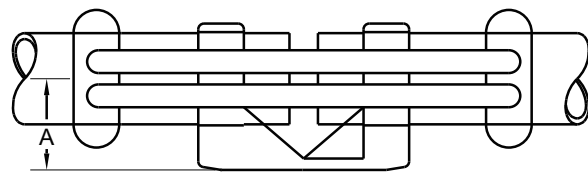
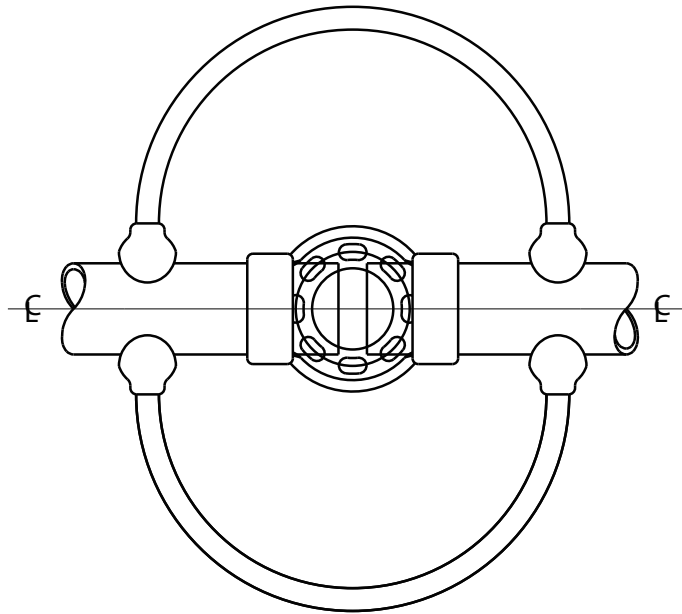


SLOTS: 5" B C 11/16 X 7/8

GALVANIZED HARDWARE FOR MOUNTING TO INSULATOR IS SUPPLIED

## TYPE WAFS-CF

WELD EXPANSION BUS SUPPORT  
 PIPE TO INSULATOR  
 (345 KV NOMINAL SYSTEM VOLTAGE)



SLOTS: 5" B C 11/16 X 7/8

HOMAC CATALOG NUMBER	SPS	A	NUMBER OF CONDUCTORS*
<b>5" BOLT CIRCLE</b>			
EH-3140	2	2 3/4	4
EH-3141	2 1/2	3 1/8	
EH-3142	3	3 5/8	
EH-3143	3 1/2	4	
EH-3144	4	4 1/2	6
EH-3145	5	5	
EH-3146	6	5 1/2	

\* CONDUCTORS ARE ALUMINUM 795 AAC

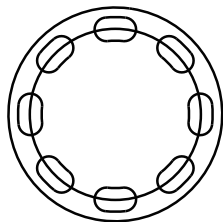
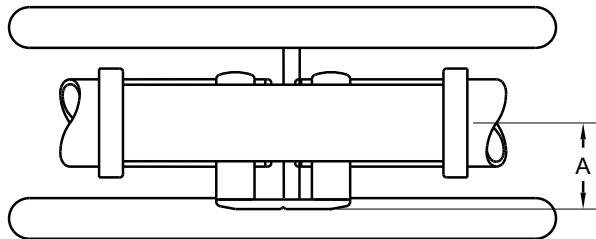
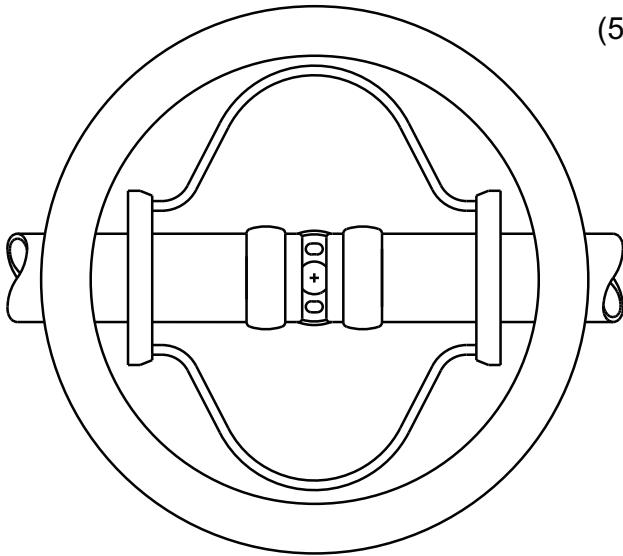
END CAPS ARE SUPPLIED  
 STAINLESS STEEL ANTI-CHATTER SPRINGS ARE SUPPLIED  
 GALVANIZED HARDWARE FOR MOUNTING TO INSULATOR IS SUPPLIED  
 USE CHART GA-796 ON GENERAL REFERENCE PAGE 25 FOR INSTALLATION

**EHV**



**TYPE WAFS-CR-CF**

WELD EXPANSION BUS SUPPORT  
 PIPE TO INSULATOR  
 (500 KV NOMINAL SYSTEM VOLTAGE)



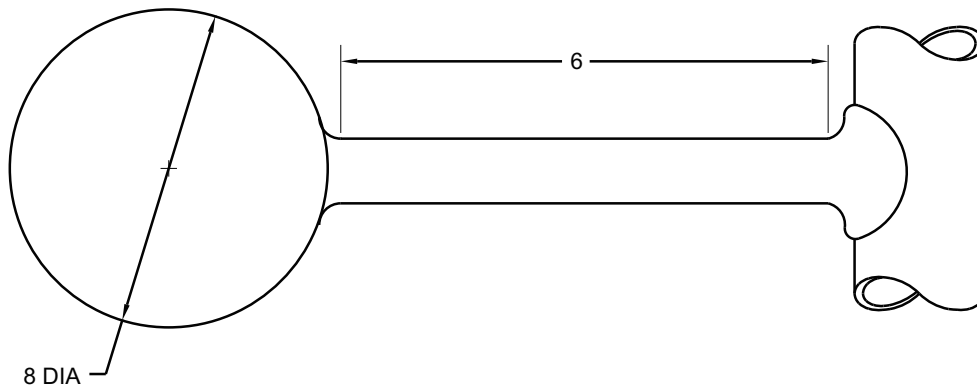
SLOTS: 5" B C 11/16 X 7/8

HOMAC CATALOG NUMBER	SPS	A
<b>5" BOLT CIRCLE</b>		
EH-3515	2	2 3/4
EH-3516	2 1/2	3 1/8
EH-3517	3	3 5/8
EH-3518	3 1/2	4
EH-3519	4	4 1/2
EH-3520	5	5
EH-3521	6	5 1/2

END CAPS ARE SUPPLIED  
 STAINLESS STEEL ANTI-CHATTER SPRINGS ARE SUPPLIED  
 GALVANIZED HARDWARE FOR MOUNTING TO INSULATOR IS SUPPLIED  
 USE CHART GA-796 ON GENERAL REFERENCE PAGE 25 FOR INSTALLATION

## TYPE WP-CF

WELD GROUND STUD

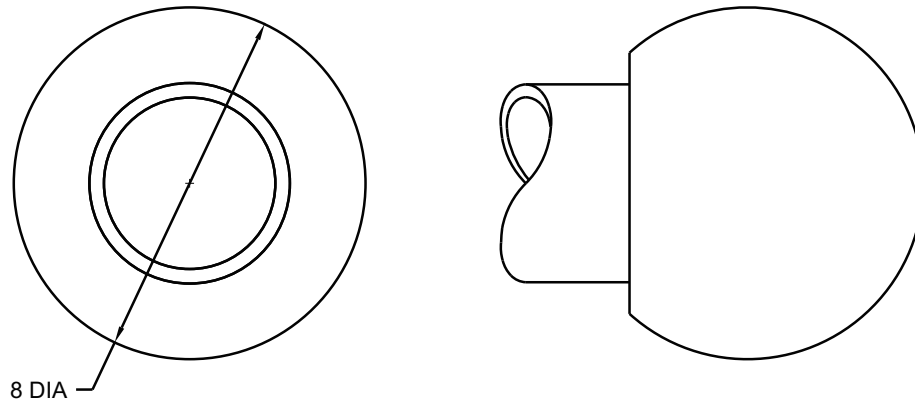


HOMAC CATALOG NUMBER	SPS
EH-3061	2
EH-3062	2 1/2
EH-3063	3
EH-3064	3 1/2
EH-3065	4
EH-3066	5
EH-3067	6

FOR OTHER BALL DIAMETER SIZES CONSULT THE FACTORY

## TYPE WVM-CF

WELD CORONA BELL  
RECOMMENDED FOR 345 & 500 KV



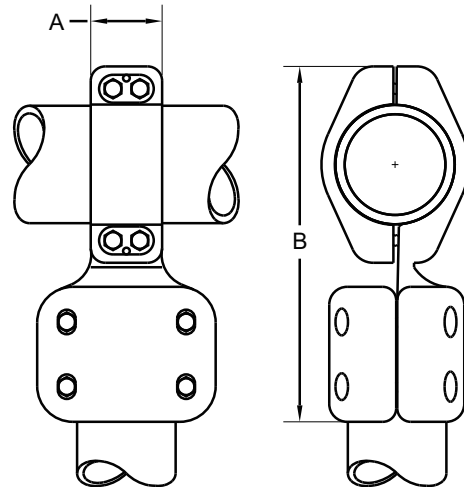
HOMAC CATALOG NUMBER	SPS
EH-900-2	2
EH-900-2.5	2 1/2
EH-900-3	3
EH-900-3.5	3 1/2
EH-900-4	4
EH-900-5	5
EH-900-6	6

FOR OTHER BALL DIAMETER SIZES CONSULT THE FACTORY

## TYPE AVA-CF

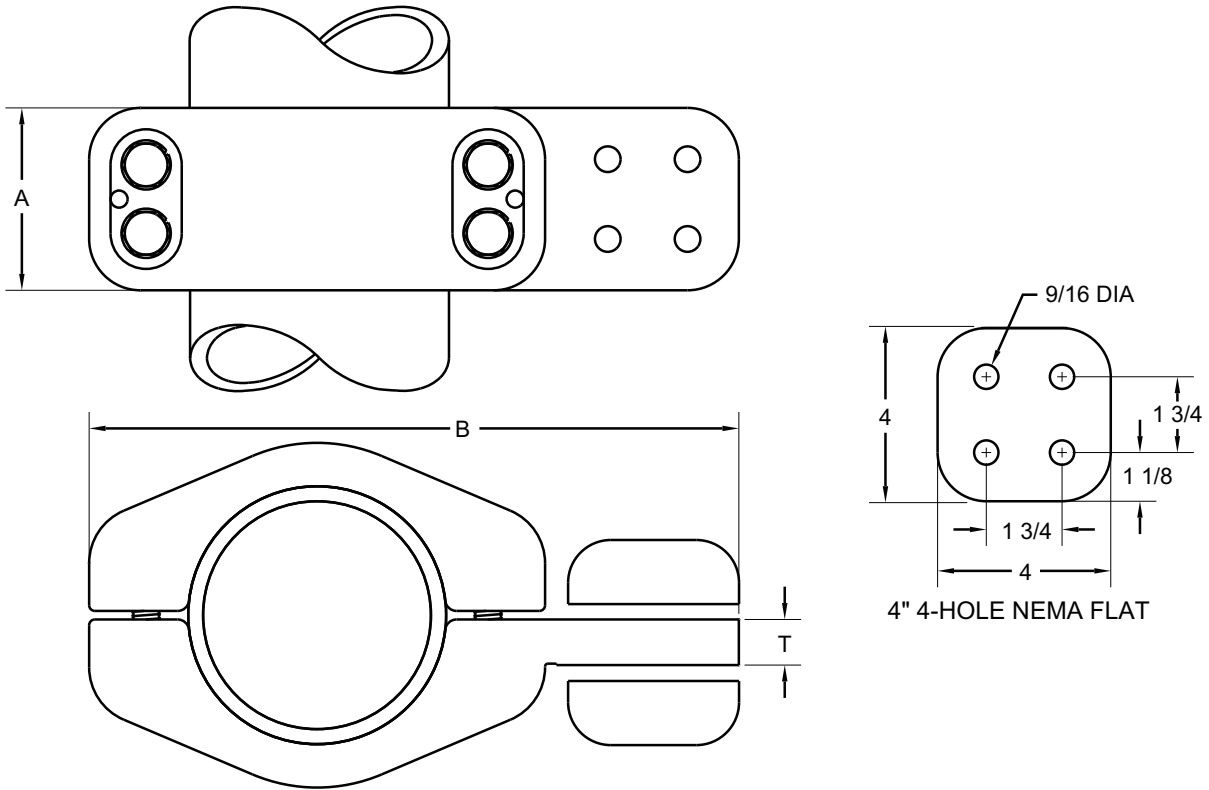
BOLTED TEE CONNECTOR  
PIPE RUN TO PIPE TAP

HOMAC CATALOG NUMBER	RUN SPS	TAP SPS	A	B	
EH-1061	2	2	3 1/2	9 3/4	
EH-1062	2 1/2			10 1/4	
EH-1063		2 1/2			
EH-1064	3	2	4	11 3/8	
EH-1065		2 1/2		11 7/8	
EH-1066		3		11 3/4	
EH-1067	3 1/2	2		12 1/4	
EH-1068		2 1/2		12 3/8	
EH-1069		3		12 7/8	
EH-1070		3 1/2		13 1/2	
EH-1071	4	2		5 1/2	14
EH-1072		2 1/2			14 1/2
EH-1073		3			15
EH-1074		3 1/2	16 1/2		
EH-1075		4	4		14 1/2
EH-1076	2	15			
EH-1077	2 1/2	16 1/2			
EH-1078	3	17 1/2			
EH-1079	3 1/2	18 1/2			
EH-1080	4	19 1/2			
EH-1081	5	20 1/2			
EH-1082	6	2			5 1/2
EH-1083		2 1/2	15		
EH-1084		3	16 1/2		
EH-1085		3 1/2	17 1/2		
EH-1086		4	18 1/2		
EH-1087		5	19 1/2		
EH-1088	6	20 1/2			



AVAILABLE IN VARIOUS ANGLES, CONSULT THE FACTORY  
CONNECTORS SUPPLIED WITH CLAMPING HARDWARE IN ACCORDANCE WITH NEMA STANDARD (CC 1)

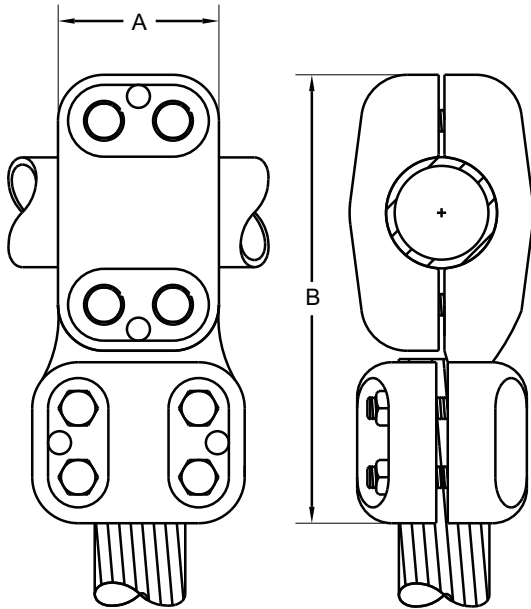
**TYPE AVAA-CF**
  
**BOLTED TEE CONNECTOR**
  
**PIPE RUN TO FLAT TAP**



HOMAC CATALOG NUMBER	SPS	A	B	T
EH-1190	2	3 1/2	10 1/2	5/8
EH-1191	2 1/2		11	
EH-1192	3	4	12 1/8	3/4
EH-1193	3 1/2		12 1/2	
EH-1194	4		13 1/8	
EH-1195	5		14 1/4	1
EH-1196	6	15 1/4		

NORMALLY USED WITH A PAD SHIELD (SOLD SEPARATELY - SEE PAGE EHV-01)  
 CONNECTORS SUPPLIED WITH CLAMPING HARDWARE IN ACCORDANCE WITH NEMA STANDARD (CC 1)  
 ALL PADS ARE FINISHED ON BOTH SIDES

**TYPE AVB-CF**  
**BOLTED TEE CONNECTOR**  
**PIPE RUN TO CABLE TAP**

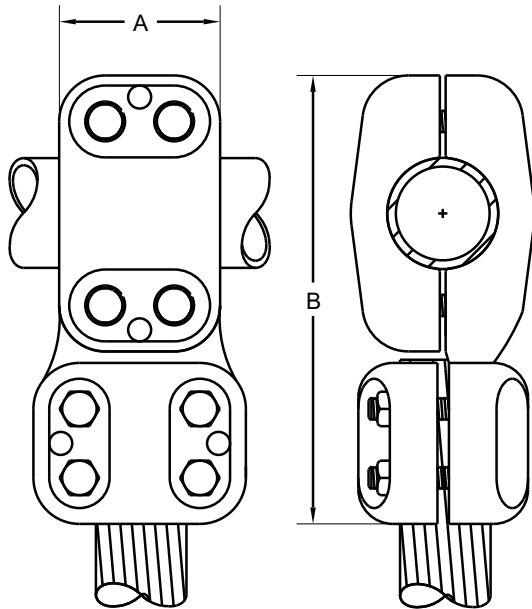


HOMAC CATALOG NUMBER	RUN SPS	CABLE TAP		A	B
		AAC	ACSR		
EH-1484-A	2	715 - 800	715	3 1/2	10
EH-1484-B		874 - 954	795 - 900		
EH-1485-A		1000 - 1272	954 - 1113		
EH-1485-B		1351 - 1510	1272		
EH-1486-A		1590	1431		
EH-1486-B		2000	1590 - 1780		
EH-1486-C		2300	2167		
EH-1486-D	2500	-	3 1/2	10 1/2	
EH-1487-A	2 1/2	715 - 800			715
EH-1487-B		874 - 954			795 - 900
EH-1488-A		1000 - 1272			954 - 1113
EH-1488-B		1351 - 1510			1272
EH-1489-A		1590			1431
EH-1489-B		2000			1590 - 1780
EH-1489-C		2300	2167		
EH-1489-D	2500	-	3 1/2	11	
EH-1490-A	3	715 - 800			715
EH-1490-B		874 - 954			795 - 900
EH-1491-A		1000 - 1272			954 - 1113
EH-1491-B		1351 - 1510			1272
EH-1492-A		1590			1431
EH-1492-B		2000			1590 - 1780
EH-1492-C		2300	2167		
EH-1492-D	2500	-	3 1/2	11 3/8	
EH-1493-A	3 1/2	715 - 800			715
EH-1493-B		874 - 954			795 - 900
EH-1494-A		1000 - 1272			954 - 1113
EH-1494-B		1351 - 1510			1272
EH-1495-A		1590			1431
EH-1495-B		2000			1590 - 1780
EH-1495-C		2300	2167		
EH-1495-D	2500	-	4	12	
EH-1496-A	3000	-			
EH-1496-B	3500	-			
EH-1496-C	4000	-			
				4	12 1/2

CONNECTORS SUPPLIED WITH CLAMPING HARDWARE IN ACCORDANCE WITH NEMA STANDARD (CC 1)

**EHV**

**TYPE AVB-CF**  
**BOLTED TEE CONNECTOR**  
**PIPE RUN TO CABLE TAP**

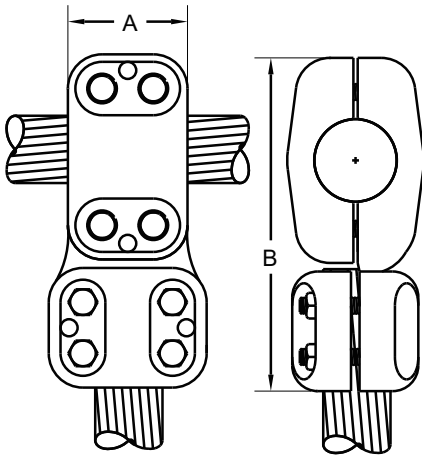


HOMAC CATALOG NUMBER	RUN SPS	CABLE TAP		A	B
		AAC	ACSR		
EH-1497-A	4	715 - 800	715	4	12 5/8
EH-1497-B		874 - 954	795 - 900		
EH-1498-A		1000 - 1272	954 - 1113		
EH-1498-B		1351 - 1510	1272		
EH-1499-A		1590	1431		13 1/8
EH-1499-B		2000	1590 - 1780		
EH-1499-C		2300	2167		
EH-1499-D		2500	-		
EH-1500-A		3000	-		
EH-1500-B		3500	-		
EH-1500-C	4000	-	13 3/4		
EH-1501-A	5	715 - 800		715	
EH-1501-B		874 - 954		795 - 900	
EH-1502-A		1000 - 1272		954 - 1113	
EH-1502-B		1351 - 1510		1272	
EH-1503-A		1590		1431	
EH-1503-B		2000		1590 - 1780	
EH-1503-C		2300		2167	
EH-1503-D		2500		-	
EH-1504-A		3000		-	
EH-1504-B		3500	-		
EH-1504-C	4000	-	14 1/4		
EH-1506-A	6	715 - 800		715	
EH-1506-B		874 - 954		795 - 900	
EH-1507-A		1000 - 1272		954 - 1113	
EH-1507-B		1351 - 1510		1272	
EH-1508-A		1590		1431	
EH-1508-B		2000	1590 - 1780		
EH-1508-C		2300	2167		
EH-1508-D		2500	-		
EH-1509-A		3000	-		
EH-1509-B		3500	-		
EH-1509-C	4000	-	15 1/4		

CONNECTORS SUPPLIED WITH CLAMPING HARDWARE IN ACCORDANCE WITH NEMA STANDARD (CC 1)

## TYPE AVC-CF

**BOLTED TEE CONNECTOR  
CABLE RUN TO CABLE TAP**



HOMAC CATALOG NUMBER	RUN		TAP		A	B		
	AAC	ACSR	AAC	ACSR				
EH-1515-A-A	715 - 800	715	715 - 800	715	3 1/2	8 1/4		
EH-1515-A-B			874 - 954	795 - 900				
EH-1515-B-A	874 - 954	795 - 900	715 - 800	715				
EH-1515-B-B			874 - 954	795 - 900				
EH-1516-A-A	1000 - 1272	954 - 1113	715 - 800	715		3 1/2	8 3/4	
EH-1516-A-B			874 - 954	795 - 900				
EH-1517-A-A			1000 - 1272	954 - 1113				
EH-1517-A-B			1351 - 1510	1272				
EH-1516-B-A	1351 - 1510	1272	715 - 800	715	3 1/2			8 3/4
EH-1516-B-B			874 - 954	795 - 900				
EH-1517-B-A			1000 - 1272	954 - 1113				
EH-1517-B-B			1351 - 1510	1272				
EH-1518-A-A	1590	1431	715 - 800	715		4	9 1/2	
EH-1518-A-B			874 - 954	795 - 900				
EH-1519-A-A			1000 - 1272	954 - 1113				
EH-1519-A-B			1351 - 1510	1272				
EH-1520-A-A			1590	1431				
EH-1520-A-B			2000	1590 - 1780				
EH-1520-A-C			2300	2167				
EH-1520-A-D			2500	-				
EH-1518-B-A	2000	1590 - 1780	715 - 800	715	4		8 3/4	
EH-1518-B-B			874 - 954	795 - 900				
EH-1519-B-A			1000 - 1272	954 - 1113				
EH-1519-B-B			1351 - 1510	1272				
EH-1520-B-A			1590	1431				
EH-1520-B-B			2000	1590 - 1780				
EH-1520-B-C			2300	2167				
EH-1520-B-D			2500	-				
EH-1518-C-A	2300	2167	715 - 800	715		4	8 3/4	
EH-1518-C-B			874 - 954	795 - 900				
EH-1519-C-A			1000 - 1272	954 - 1113				
EH-1519-C-B			1351 - 1510	1272				
EH-1520-C-A			1590	1431				
EH-1520-C-B			2000	1590 - 1780				
EH-1520-C-C			2300	2167				
EH-1520-C-D			2500	-				

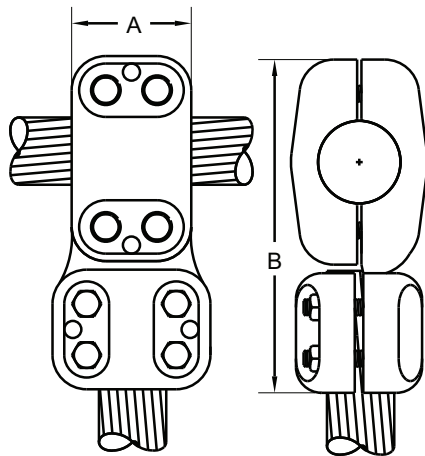
CONNECTORS SUPPLIED WITH CLAMPING HARDWARE IN ACCORDANCE WITH NEMA STANDARD (CC 1)



**SUBSTATION PRODUCTS**

**TYPE AVC-CF**

**BOLTED TEE CONNECTOR  
CABLE RUN TO CABLE TAP**

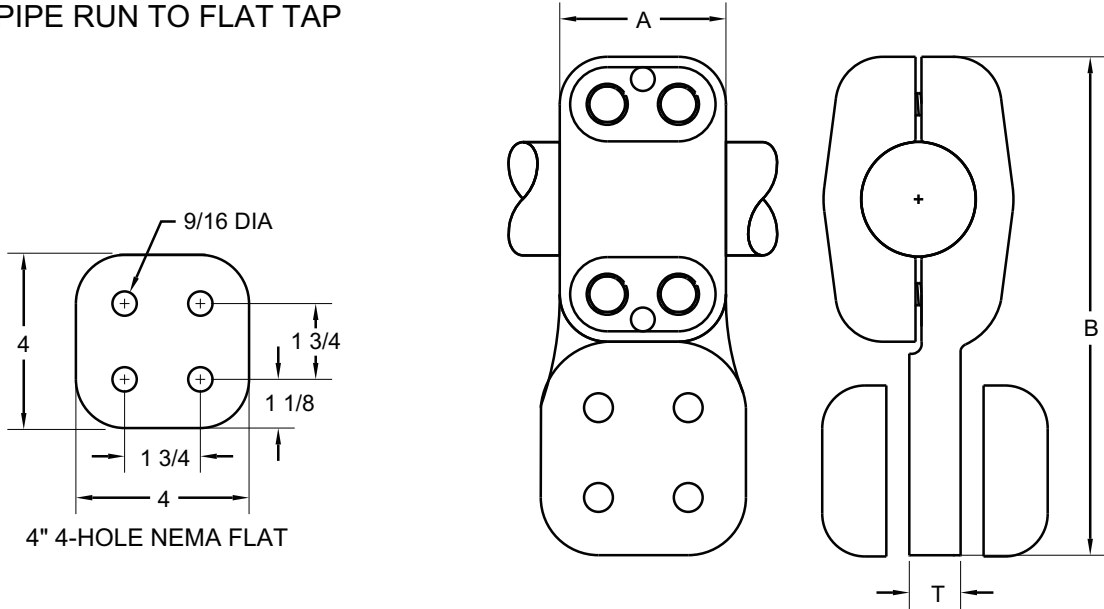


HOMAC CATALOG NUMBER	RUN		TAP		A	B	
	AAC	ACSR	AAC	ACSR			
EH-1518-D-A	2500	-	715 - 800	715	4	8 3/4	
EH-1518-D-B			874 - 954	795 - 900			
EH-1519-D-A			1000 - 1272	954 - 1113			
EH-1519-D-B			1351 - 1510	1272			
EH-1520-D-A			1590	1431			
EH-1520-D-B			2000	1590 - 1780			
EH-1520-D-C			2300	2167			
EH-1520-D-D			2500	-			
EH-1521-A-A	3000	-	715 - 800	715		10 1/4	9 3/4
EH-1521-A-B			874 - 954	795 - 900			
EH-1522-A-A			1000 - 1272	954 - 1113			
EH-1522-A-B			1351 - 1510	1272			
EH-1523-A-A			1590	1431			
EH-1523-A-B			2000	1590 - 1780			
EH-1523-A-C			2300	2167			
EH-1523-A-D			2500	-			
EH-1524-A-A	3500	-	3000	-	10 1/4	9 3/4	
EH-1524-A-B			3500	-			
EH-1524-A-C			4000	-			
EH-1521-B-A			715 - 800	715			
EH-1521-B-B			874 - 954	795 - 900			
EH-1522-B-A			1000 - 1272	954 - 1113			
EH-1522-B-B			1351 - 1510	1272			
EH-1523-B-A			1590	1431			
EH-1523-B-B	2000	1590 - 1780					
EH-1523-B-C	2300	2167					
EH-1523-B-D	2500	-					
EH-1524-B-A	3000	-					
EH-1524-B-B	3500	-					
EH-1524-B-C	4000	-					
EH-1521-C-A	4000	-	715 - 800	715	10 1/4	9 3/4	
EH-1521-C-B			874 - 954	795 - 900			
EH-1522-C-A			1000 - 1272	954 - 1113			
EH-1522-C-C			1351 - 1510	1272			
EH-1523-C-A			1590	1431			
EH-1523-C-B			2000	1590 - 1780			
EH-1523-C-C			2300	2167			
EH-1523-C-D			2500	-			
EH-1524-C-A	3000	-					
EH-1524-C-B	3500	-					
EH-1524-C-C	4000	-					

CONNECTORS SUPPLIED WITH CLAMPING HARDWARE IN ACCORDANCE WITH NEMA STANDARD (CC 1)

**EHV**

**TYPE AVD-CF**  
**BOLTED TEE CONNECTOR**  
**PIPE RUN TO FLAT TAP**



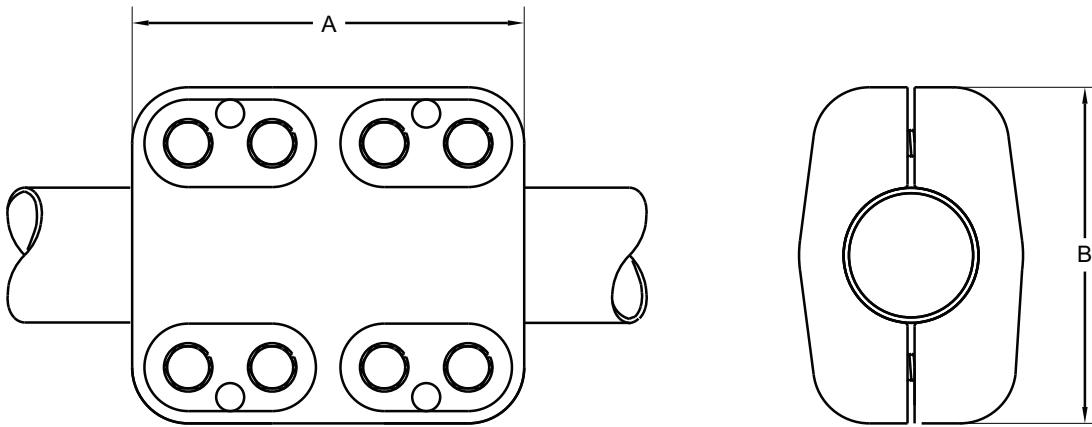
HOMAC CATALOG NUMBER	CABLE		A	B	T	
	AAC	ACSR				
EH-1320-A	715 - 800	715	3 1/2	8 1/4	1/2	
EH-1320-B	874 - 954	795 - 900		8 3/4	5/8	
EH-1321-A	1000 - 1272	954 - 1113				
EH-1321-B	1351 - 1510	1272				
EH-1322-A	1590	1431	4	9 1/4	3/4	
EH-1322-B	2000	1780				
EH-1322-C	2300	2167				
EH-1322-D	2500	-				
EH-1323-A	3000	-				
EH-1323-B	3500	-				10
EH-1323-C	4000	-				

NORMALLY USED WITH A PAD SHIELD (SOLD SEPARATELY - SEE PAGE EHV-01)  
 CONNECTORS SUPPLIED WITH CLAMPING HARDWARE IN ACCORDANCE WITH NEMA STANDARD (CC 1)  
 ALL PADS ARE FINISHED ON BOTH SIDES

**EHV**

## TYPE AVLA-CF

BOLTED COUPLER  
 PIPE TO PIPE

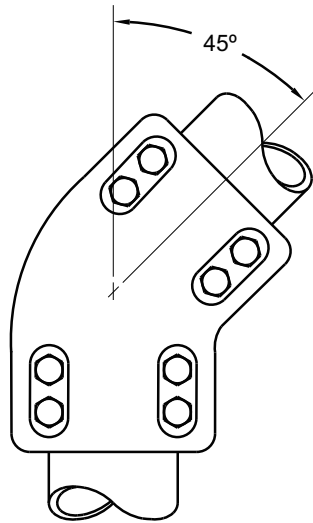


HOMAC CATALOG NO.	SPS	A	B
EH-1010	2	7 1/2	6 1/4
EH-1012	2 1/2		6 3/4
EH-1015	3	8 1/2	7 7/8
EH-1019	3 1/2		8 1/4
EH-1024	4		8 7/8
EH-1030	5	11 1/2	10
EH-1037	6		11

CONNECTORS SUPPLIED WITH CLAMPING HARDWARE IN ACCORDANCE WITH NEMA STANDARD (CC 1)

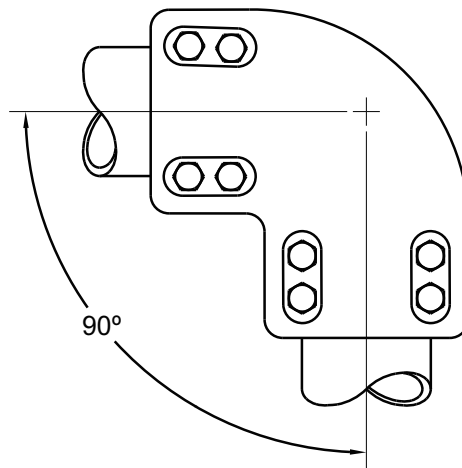
**TYPE AVKA-45-CF**

45° BOLTED ELBOW  
PIPE TO PIPE



**TYPE AVKA-90-CF**

90° BOLTED ELBOW  
PIPE TO PIPE



HOMAC CATALOG NO.		SPS
45 DEGREE	90 DEGREE	
EH-1539	EH-1562	2
EH-1540	EH-1563	2 1/2
EH-1541	EH-1564	3
EH-1542	EH-1565	3 1/2
EH-1543	EH-1566	4
EH-1544	EH-1567	5
EH-1545	EH-1568	6

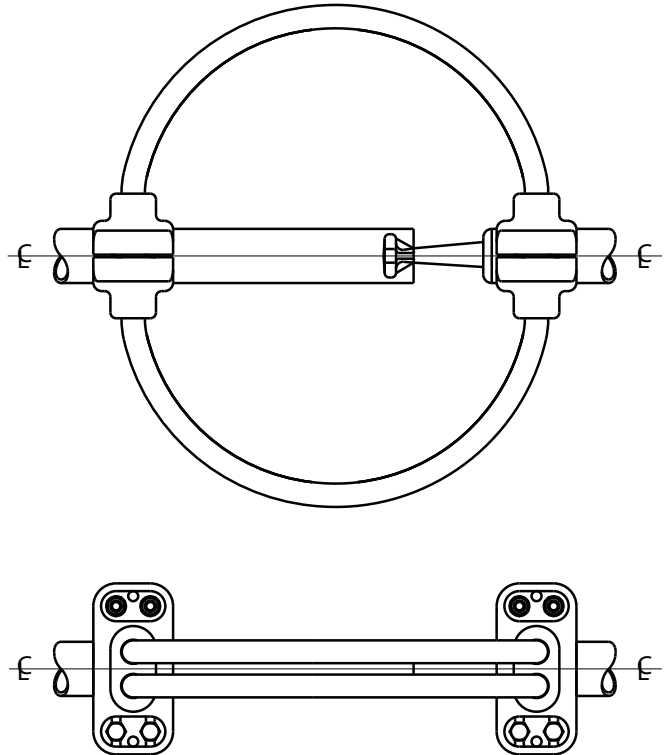
FOR OTHER CONFIGURATIONS, CONSULT THE FACTORY  
CONNECTORS SUPPLIED WITH CLAMPING HARDWARE IN ACCORDANCE WITH NEMA STANDARD (CC 1)

## TYPE AFG-CF

BOLTED EXPANSION COUPLER  
 PIPE TO PIPE  
 (345 KV NOMINAL SYSTEM VOLTAGE)

HOMAC CATALOG NUMBER	SPS	NUMBER OF CONDUCTORS*
EH-1551	2	4
EH-1552	2 1/2	
EH-1553	3	
EH-1554	3 1/2	
EH-1555	4	6
EH-1556	5	
EH-1557	6	

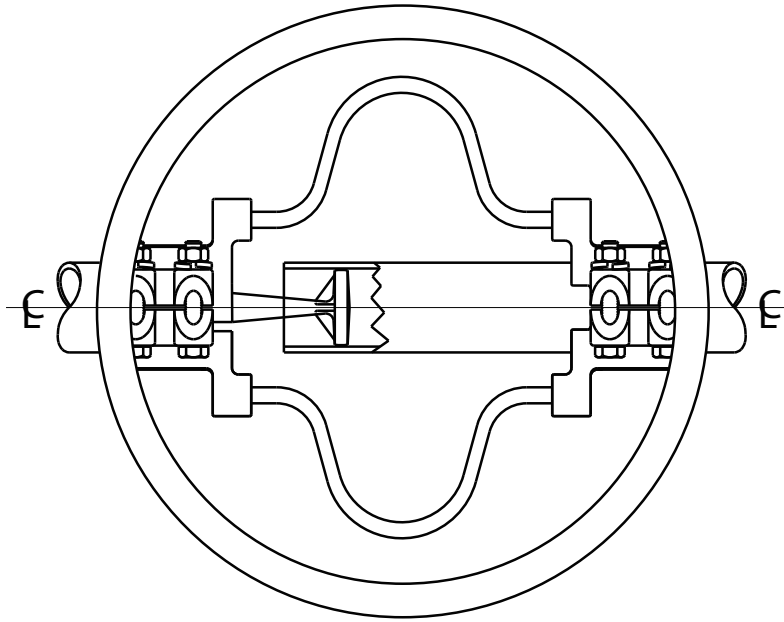
\* CONDUCTORS ARE ALUMINUM 795 AAC



FOR SCHEDULE 80 PIPE, ADD "EH" TO CATALOG NUMBER: E.G. "EH-1551-EH"  
 USE CHART GA-735 ON GENERAL REFERENCE PAGE 24 FOR INSTALLATION  
 CONNECTORS SUPPLIED WITH CLAMPING HARDWARE IN ACCORDANCE WITH NEMA STANDARD (CC 1)

## TYPE AFG-CR-CF

BOLTED EXPANSION COUPLER  
PIPE TO PIPE  
(500 KV NOMINAL SYSTEM VOLTAGE)

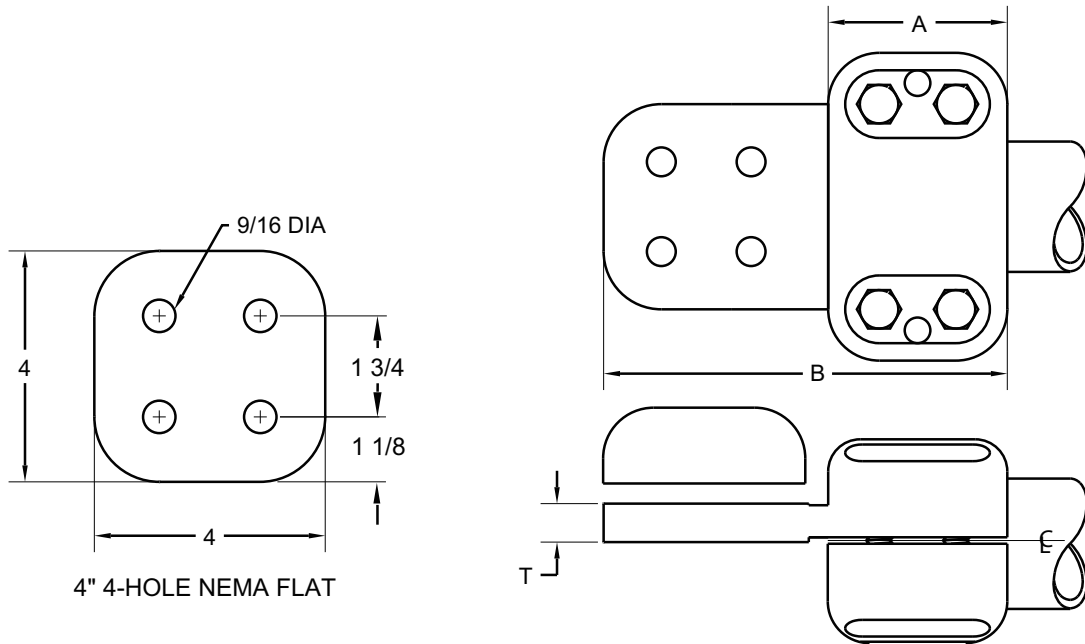


HOMAC CATALOG NUMBER	SPS
EH-1672	2
EH-1673	2 1/2
EH-1674	3
EH-1675	3 1/2
EH-1676	4
EH-1677	5
EH-1678	6

FOR SCHEDULE 80 PIPE ADD "H" TO CATALOG NUMBER: E.G. "EH-1672-EH"  
USE CHART GA-735 ON GENERAL REFERENCE PAGE 24 FOR INSTALLATION  
CONNECTORS SUPPLIED WITH CLAMPING HARDWARE IN ACCORDANCE WITH NEMA STANDARD (CC 1)

## TYPE AVP-CT-CF

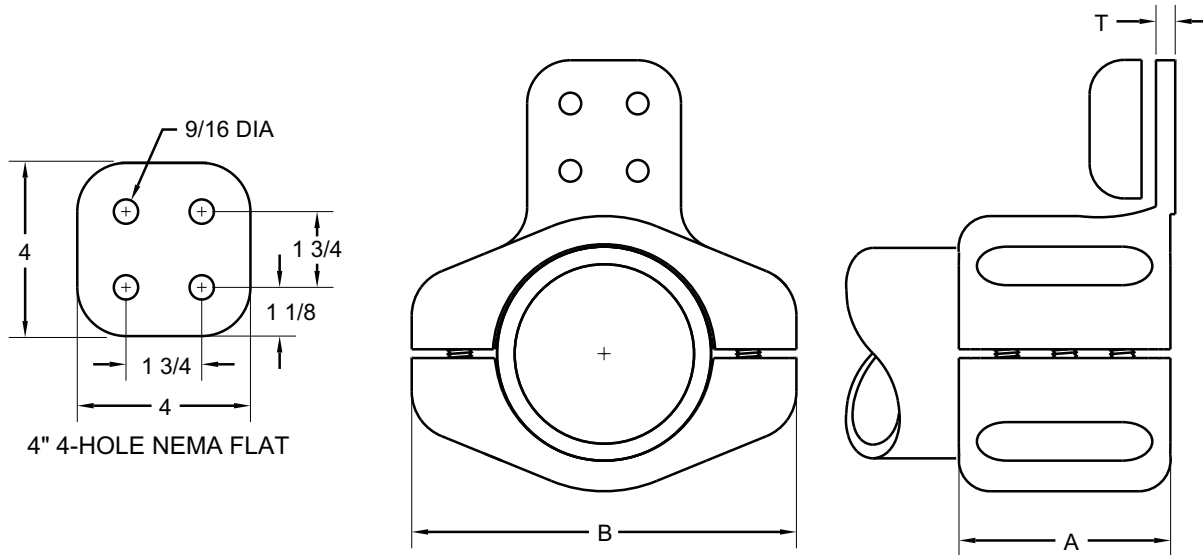
BOLTED TERMINAL  
PIPE TO FLAT



HOMAC CATALOG NUMBER	SPS	A	B	T
EH-1000	2	3 1/2	8	5/8
EH-1001	2 1/2			
EH-1002	3	4	8 1/2	3/4
EH-1003	3 1/2			
EH-1004	4			
EH-1005	5	5 1/2	10	1
EH-1006	6			

NORMALLY USED WITH A PAD SHIELD (SOLD SEPARATELY - SEE PAGE EHV-01)  
CONNECTORS SUPPLIED WITH CLAMPING HARDWARE IN ACCORDANCE WITH NEMA STANDARD (CC 1)  
ALL PADS ARE FINISHED ON BOTH SIDES

**TYPE AVP-90-CF**  
 90° BOLTED TERMINAL  
 PIPE TO FLAT



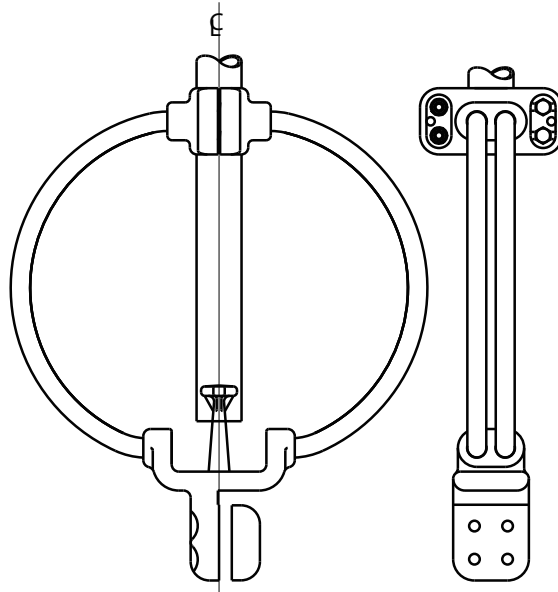
HOMAC CATALOG NUMBER	SPS	A	B	T
EH-1572	2	3 1/2	8	5/8
EH-1573	2 1/2			
EH-1574	3	4	8 1/2	3/4
EH-1575	3 1/2			
EH-1576	4			
EH-1577	5	5 1/2	10	1
EH-1578	6			

NORMALLY USED WITH A PAD SHIELD (SOLD SEPARATELY - SEE PAGE EHV-01)  
 CONNECTORS SUPPLIED WITH CLAMPING HARDWARE IN ACCORDANCE WITH NEMA STANDARD (CC 1)  
 ALL PADS ARE FINISHED ON BOTH SIDES

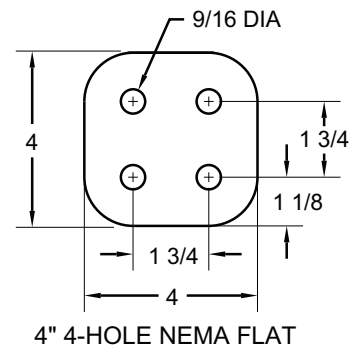


## TYPE AFF-CT-CF

**BOLTED EXPANSION TERMINAL**  
**PIPE TO FLAT**  
 (345 KV NOMINAL SYSTEM VOLTAGE)



HOMAC CATALOG NUMBER	SPS	NUMBER OF CONDUCTORS*
EH-1631	2	4
EH-1632	2 1/2	
EH-1633	3	
EH-1634	3 1/2	
EH-1635	4	6
EH-1636	5	
EH-1637	6	



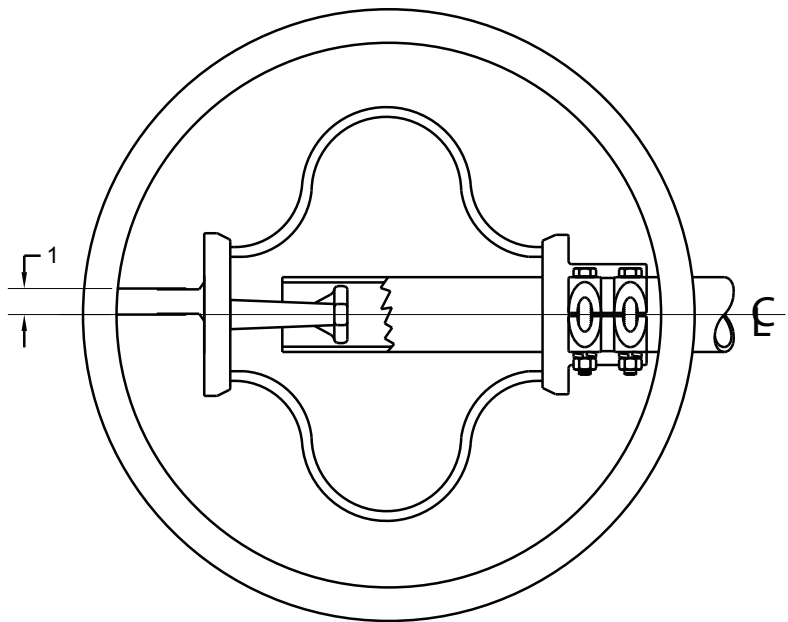
\* CONDUCTORS ARE ALUMINUM 795 AAC

NORMALLY USED WITH A PAD SHIELD (SOLD SEPARATELY - SEE PAGE EHV-01)  
 FOR SCHEDULE 80 PIPE, ADD "EH" TO CATALOG NUMBER: E.G. "EH-1631-EH"  
 USE CHART GA-735 ON GENERAL REFERENCE PAGE 24 FOR INSTALLATION  
 CONNECTORS SUPPLIED WITH CLAMPING HARDWARE IN ACCORDANCE WITH NEMA STANDARD (CC 1)

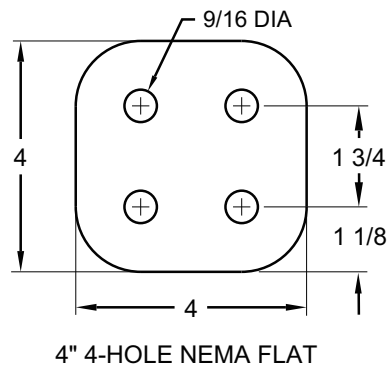
**EHV**

## TYPE AFF-CT-CR-CF

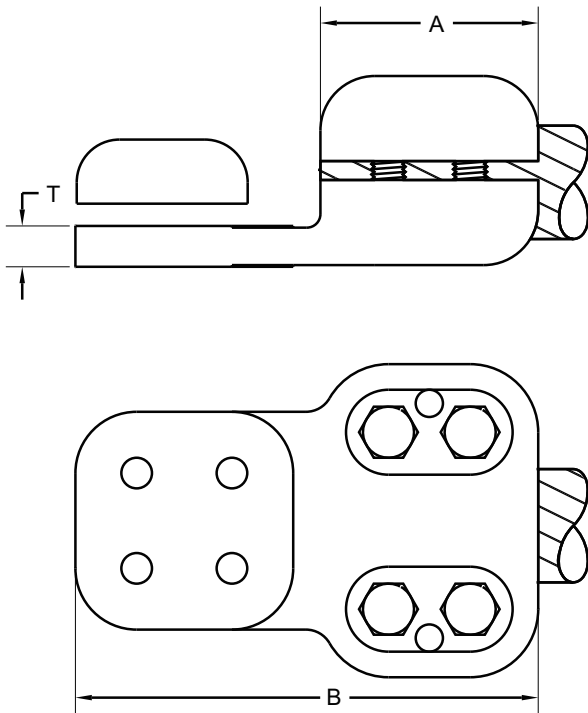
BOLTED EXPANSION TERMINAL  
PIPE TO FLAT  
(500 KV NOMINAL SYSTEM VOLTAGE)



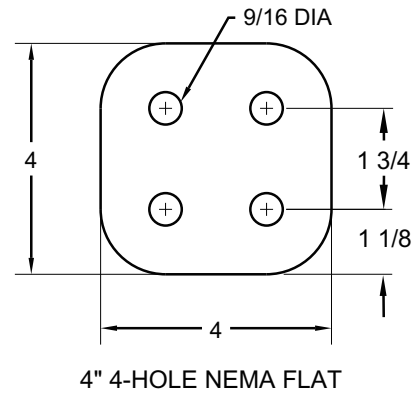
HOMAC CATALOG NUMBER	SPS
EH-1708	2
EH-1709	2 1/2
EH-1710	3
EH-1711	3 1/2
EH-1712	4
EH-1713	5
EH-1714	6



FOR SCHEDULE 80 PIPE ADD "H" TO CATALOG NUMBER: E.G. "EH-1708-EH"  
USE CHART GA-735 ON GENERAL REFERENCE PAGE 24 FOR INSTALLATION  
CONNECTORS SUPPLIED WITH CLAMPING HARDWARE IN ACCORDANCE WITH NEMA STANDARD (CC 1)



**TYPE AGL-CF**  
**BOLTED TERMINAL**  
**CABLE TO FLAT**

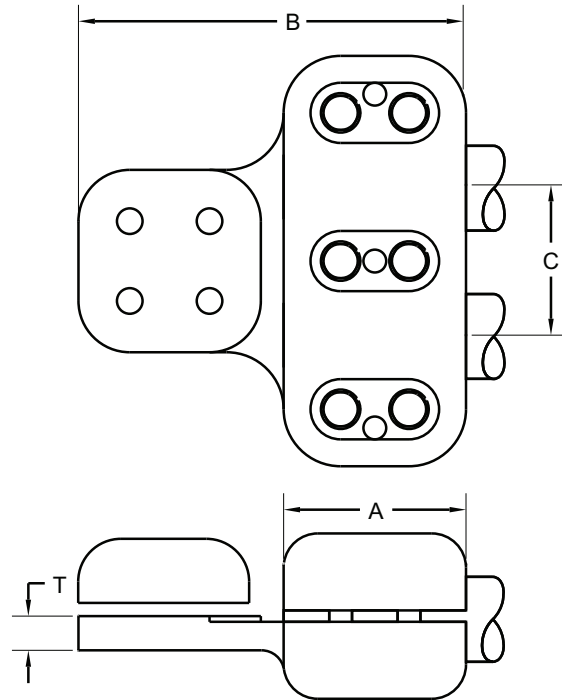
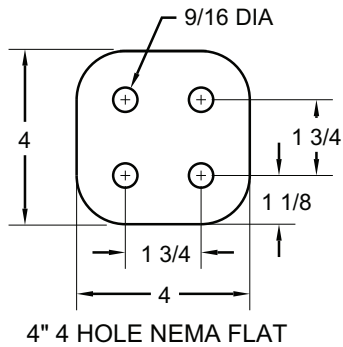


HOMAC CATALOG NUMBER	CABLE		A	B	T
	AAC	ACSR			
EH-1290-A	715 - 800	715	4	8 1/2	1/2
EH-1290-B	874 - 954	795 - 900			5/8
EH-1291-A	1000 - 1272	954 - 1113			
EH-1291-B	1351 - 1510	1272	4 1/2	9	3/4
EH-1292-A	1590	1431			
EH-1292-B	2000	1590 - 1780			
EH-1292-C	2300	2167			
EH-1292-D	2500	-			7/8
EH-1293-A	3000	-			
EH-1293-B	3500	-			
EH-1293-C	4000	-			

NORMALLY USED WITH A PAD SHIELD (SOLD SEPARATELY - SEE PAGE EHV-01)  
 CONNECTORS SUPPLIED WITH CLAMPING HARDWARE IN ACCORDANCE WITH NEMA STANDARD (CC 1)  
 ALL PADS ARE FINISHED ON BOTH SIDES

**EHV**

**TYPE AGL-2-CF**  
**BOLTED TERMINAL**  
**(2) CABLES TO FLAT**



HOMAC CATALOG NUMBER	CABLE		A	B	C	T
	AAC	ACSR				
EH-1531-A	715 - 800	715	4	8 1/2	2 1/4	3/4
EH-1531-B	874 - 954	795 - 900				
EH-1532-A	1000 - 1272	954 - 1113				
EH-1532-B	1351 - 1510	1272				
EH-1533-A	1590	1431	4 1/2	9	3 1/4	7/8
EH-1533-B	2000	1590 - 1780				
EH-1533-C	2300	2167				
EH-1533-D	2500	-				
EH-1534-A	3000	-				1
EH-1534-B	3500	-				
EH-1534-C	4000	-				

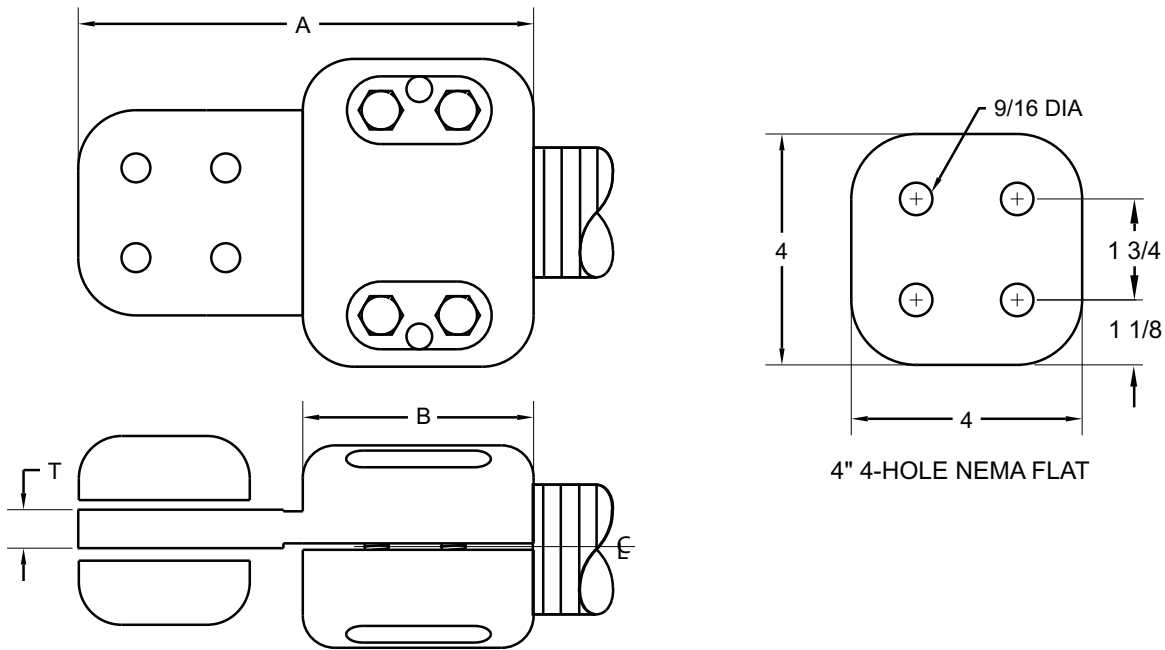
NORMALLY USED WITH A PAD SHIELD (SOLD SEPARATELY - SEE PAGE EHV-01)

ALL PADS ARE FINISHED ON BOTH SIDES

CONNECTORS SUPPLIED WITH CLAMPING HARDWARE IN ACCORDANCE WITH NEMA STANDARD (CC 1)

## TYPE AVIE-CF

BOLTED STUD CONNECTOR  
STUD TO FLAT

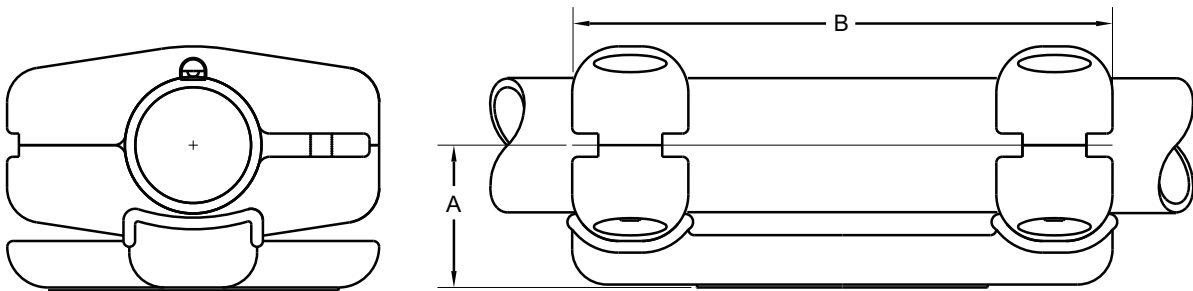


HOMAC CATALOG NUMBER	STUD	A	B	T
EH-1234	1 1/8-12	8	2 3/4	5/8
EH-1235	1 1/4 -12			
EH-1236	1 1/2-12			
EH-1240	1 3/4-12			7/8
EH-1237	2-12			
EH-1238	2 1/2-12	8 1/2	3	1
EH-1239	3-12			

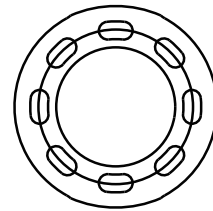
NORMALLY USED WITH A PAD SHIELD (SOLD SEPARATELY - SEE PAGE EHV-01)  
CONNECTORS SUPPLIED WITH CLAMPING HARDWARE IN ACCORDANCE WITH NEMA STANDARD (CC 1)  
ALL PADS ARE FINISHED ON BOTH SIDES

## TYPE AVXE-CF

BOLTED BUS SUPPORT  
 CLAMP OR SLIP FIT  
 PIPE TO INSULATOR



HOMAC CATALOG NUMBER	SPS	A	B
<b>5" BOLT CIRCLE</b>			
EH-1170	2	2 3/4	11
EH-1171	2 1/2	3 1/8	11 1/2
EH-1172	3	3 5/8	
EH-1173	3 1/2	4	
EH-1174	4	4 1/2	
EH-1175	5	5	
EH-1176	6	5 1/2	



SLOTS: 5" B C 11/16 X 7/8

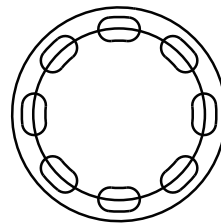
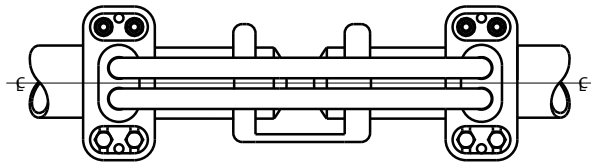
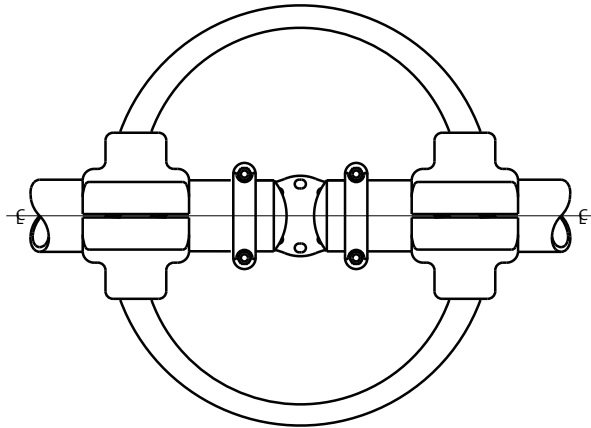
STAINLESS STEEL ANTI-CHATTER SPRINGS ARE SUPPLIED.  
 GALVANIZED HARDWARE FOR MOUNTING TO INSULATOR IS SUPPLIED  
 CONNECTORS SUPPLIED WITH CLAMPING HARDWARE IN ACCORDANCE WITH NEMA STANDARD (CC 1)

## TYPE AFS-CF

BOLTED EXPANSION BUS SUPPORT  
PIPE TO INSULATOR  
(345 KV NOMINAL SYSTEM VOLTAGE)

HOMAC CATALOG NUMBER	SPS	NUMBER OF CONDUCTORS*
<b>5" BOLT CIRCLE</b>		
EH-1248	2	4
EH-1249	2 1/2	
EH-1250	3	
EH-1251	3 1/2	
EH-1252	4	
EH-1253	5	6
EH-1254	6	

\* CONDUCTORS ARE ALUMINUM 795 AAC



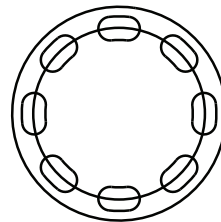
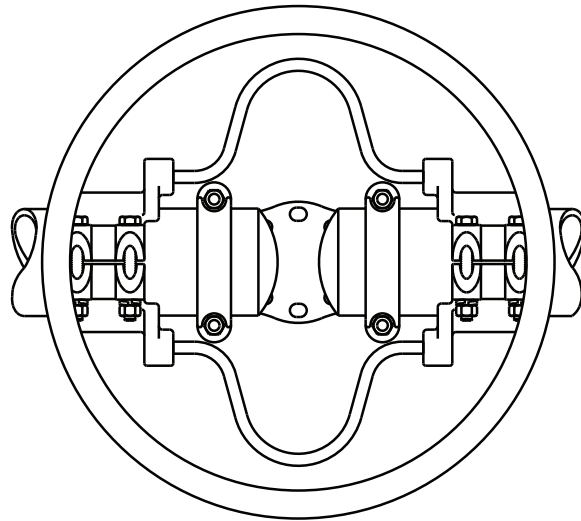
SLOTS: 5" B C 11/16 X 7/8

END CAPS ARE SUPPLIED  
STAINLESS STEEL ANTI-CHATTER SPRINGS ARE SUPPLIED  
FOR SCHEDULE 80 PIPE, ADD "EH" TO CATALOG NUMBER: E.G. "EH-1248-EH"  
USE CHART GA-796 ON GENERAL REFERENCE PAGE 25 FOR INSTALLATION  
GALVANIZED HARDWARE FOR MOUNTING TO INSULATOR IS SUPPLIED  
CONNECTORS BUS HEIGHT IS IN ACCORDANCE WITH NEMA STANDARD (CC 1)  
CONNECTORS SUPPLIED WITH CLAMPING HARDWARE IN ACCORDANCE WITH NEMA STANDARD (CC 1)

## TYPE AFS-CR-CF

BOLTED EXPANSION BUS SUPPORT  
PIPE TO INSULATOR  
(500 KV NOMINAL SYSTEM VOLTAGE)

HOMAC CATALOG NUMBER	SPS
<b>5" BOLT CIRCLE</b>	
EH-1716	2
EH-1717	2 1/2
EH-1718	3
EH-1719	3 1/2
EH-1720	4
EH-1721	5
EH-1722	6



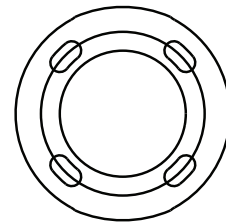
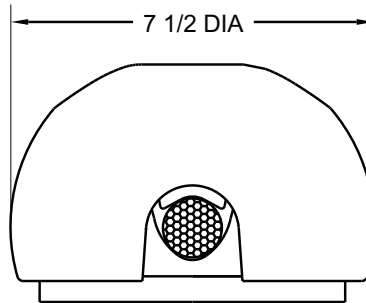
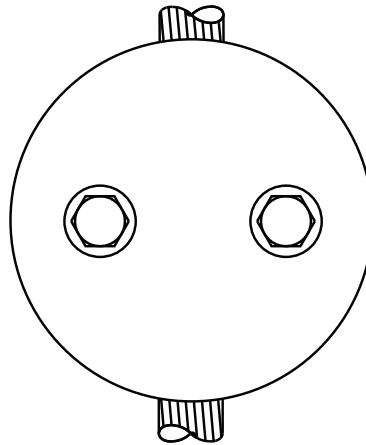
SLOTS: 5" B C 11/16 X 7/8

END CAPS ARE SUPPLIED  
STAINLESS STEEL ANTI-CHATTER SPRINGS ARE SUPPLIED  
FOR SCHED. 80 PIPE, ADD "EH" TO CATALOG NUMBER: E.G. "EH-1716-EH"  
USE CHART GA-796 ON GENERAL REFERENCE PAGE 25 FOR INSTALLATION  
GALVANIZED HARDWARE FOR MOUNTING TO INSULATOR ARE SUPPLIED  
CONNECTORS BUS HEIGHT IS IN ACCORDANCE WITH NEMA STANDARD (CC 1)  
CONNECTORS SUPPLIED WITH CLAMPING HARDWARE IN ACCORDANCE WITH NEMA STANDARD (CC 1)



## TYPE AVXA-CF

BOLTED BUS SUPPORT  
CABLE TO INSULATOR



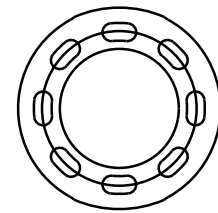
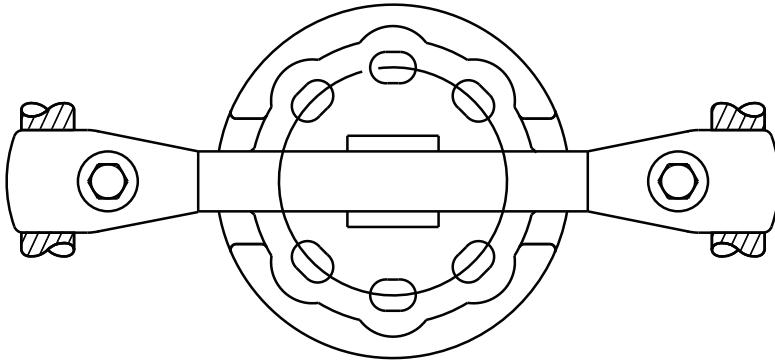
SLOTS: 5" B C 11/16 X 7/8

HOMAC CATALOG NUMBER	CABLE DIAMETER		CABLE RANGE	
	MIN	MAX	AAC	ACSR
<b>5" BOLT CIRCLE</b>				
EH-1263	.974	1.258	715 - 1258	636 - 1033
EH-1263-1	1.259	1.454	1272 - 1590	1113 - 1510
EH-1264	1.459	1.630	1600 - 2000	1510 - 1780
EH-1264-1	1.729	1.823	2250 - 2500	-

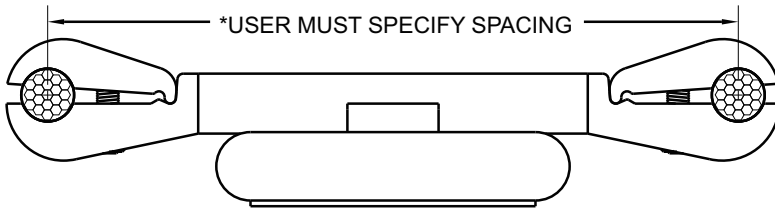
CONTACT YOUR HOMAC REPRESENTATIVE FOR OTHER AVAILABLE SIZES  
 GALVANIZED HARDWARE FOR MOUNTING TO INSULATOR IS SUPPLIED  
 CONNECTORS SUPPLIED WITH CLAMPING HARDWARE IN ACCORDANCE WITH NEMA STANDARD (CC 1)

## TYPE AVXA-2-CF

BOLTED BUS SUPPORT  
 (2) CABLES TO INSULATOR



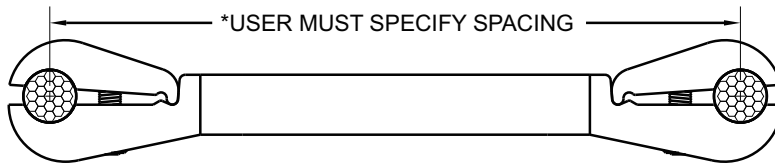
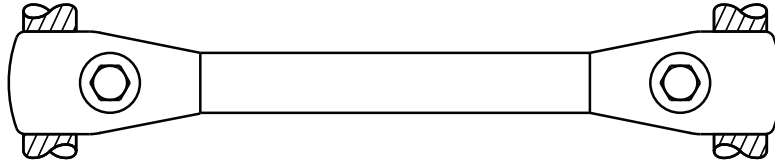
SLOTS: 5" B C 11/16 X 7/8



HOMAC CATALOG NUMBER	CABLE		MINIMUM SPACING*
	AAC	ACSR	
<b>5" BOLT CIRCLE</b>			
EH-1400	550 - 800	556 - 715	12
EH-1401	874 - 1000	795 - 900	
EH-1403	1000 - 1113	900 - 954	
EH-1405	1192 - 1590	1032 - 1272	
EH-1406	1510 - 1590	1351 - 1590	15
EH-1413	2000	1780	
EH-1407	2300	2167	15 1/2
EH-1409	2500	-	16
EH-1411	3500	-	16 1/2
EH-1412	4000	-	17

GALVANIZED HARDWARE FOR MOUNTING TO INSULATOR IS SUPPLIED  
 CONNECTORS SUPPLIED WITH CLAMPING HARDWARE IN ACCORDANCE WITH NEMA STANDARD (CC 1)

**TYPE AS-CF**  
**BOLTED CABLE SPACER**

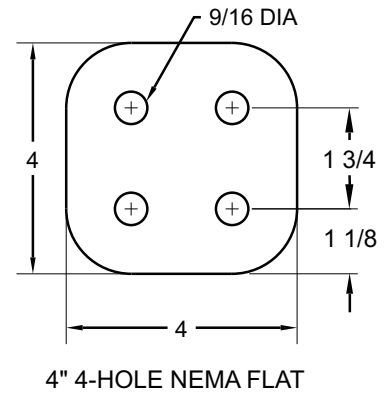
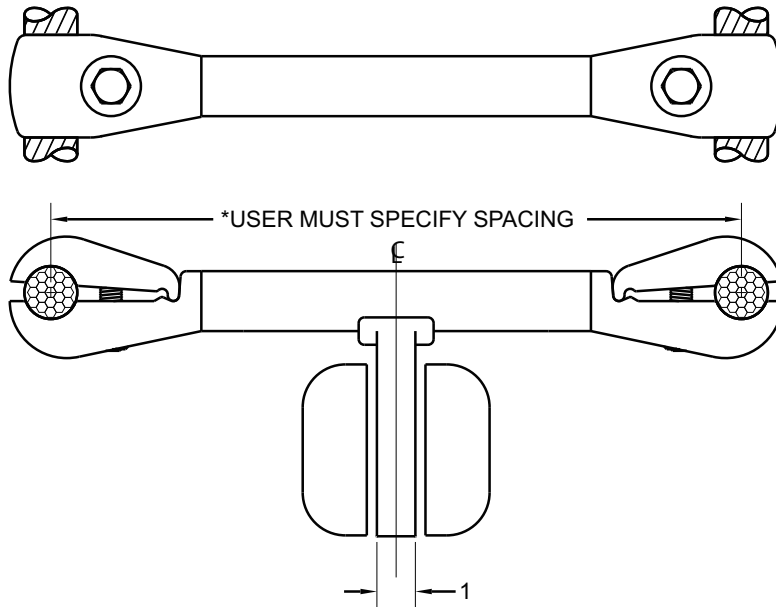


HOMAC CATALOG NUMBER	CABLE		MINIMUM SPACING*
	AAC	ACSR	
EH-1380	550 - 800	556 - 715	7
EH-1381	874 - 1000	795 - 900	
EH-1383	1000 - 1113	900 - 954	
EH-1385	1192 - 1590	1032 - 1272	
EH-1386	1510 - 1590	1351 - 1590	
EH-1393	2000	1780	8
EH-1387	2300	2167	
EH-1389	2500	-	9
EH-1391	3500	-	9 1/2
EH-1392	4000	-	10

CONNECTORS SUPPLIED WITH CLAMPING HARDWARE IN ACCORDANCE WITH NEMA STANDARD (CC 1)

## TYPE ASLA-CF

BOLTED CABLE SPACER  
TEE CONNECTOR

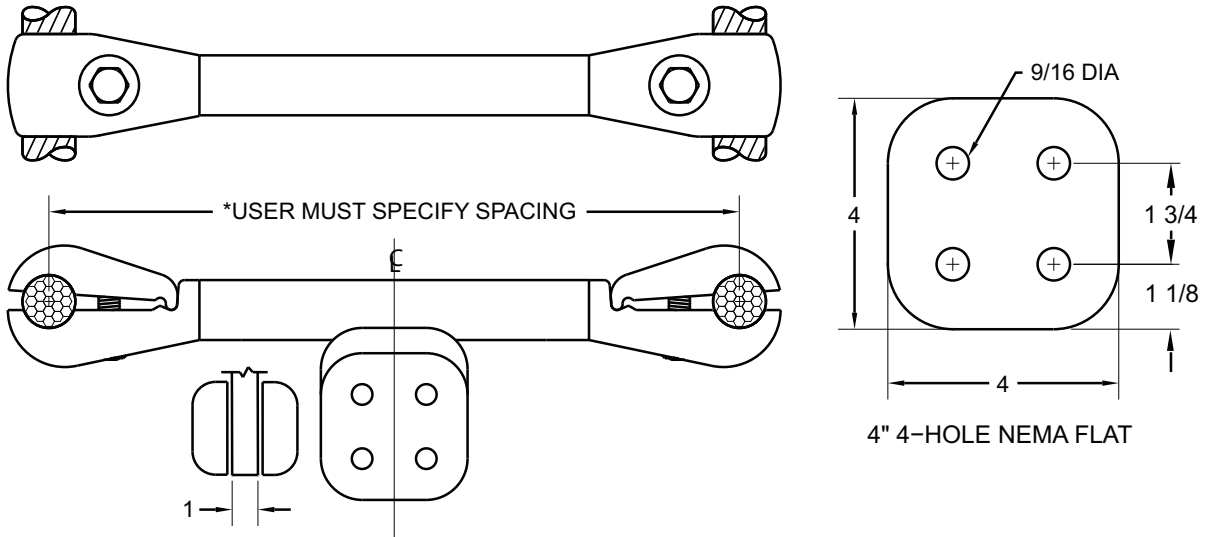


HOMAC CATALOG NUMBER	CABLE		MINIMUM SPACING*
	AAC	ACSR	
EH-1679	550 - 800	556 - 715	9
EH-1680	874 - 1000	795 - 900	
EH-1681	1000 - 1113	900 - 954	
EH-1682	1192 - 1590	1032 - 1272	
EH-1683	1510 - 1590	1351 - 1590	
EH-1688	2000	1780	10 1/4
EH-1684	2300	2167	
EH-1685	2500	-	
EH-1686	3500	-	11 3/4
EH-1687	4000	-	12 1/4

NORMALLY USED WITH A PAD SHIELD (SOLD SEPARATELY - SEE PAGE EHV-01)  
CONNECTORS SUPPLIED WITH CLAMPING HARDWARE IN ACCORDANCE WITH NEMA STANDARD (CC 1)  
ALL PADS ARE FINISHED ON BOTH SIDES

## TYPE ASLA-90-CF

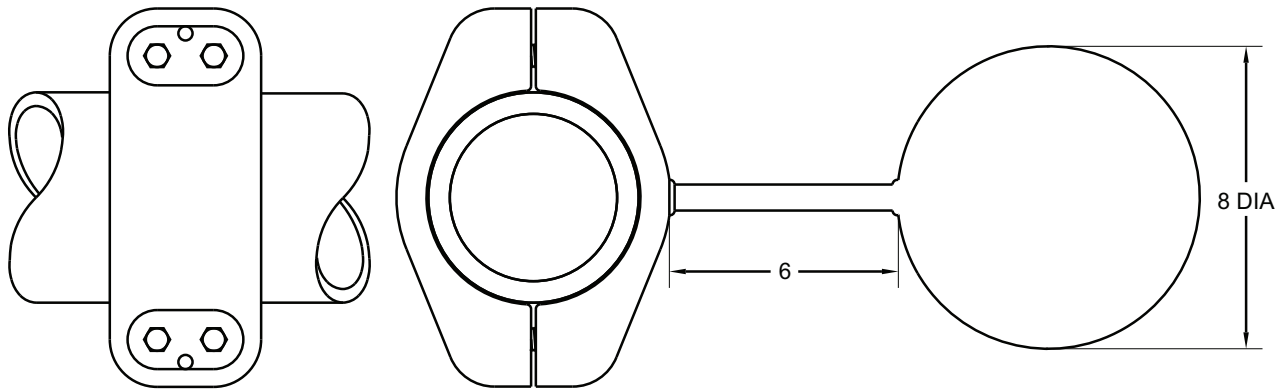
BOLTED CABLE SPACER  
TEE CONNECTOR



HOMAC CATALOG NUMBER	CABLE		MINIMUM SPACING*
	AAC	ACSR	
EH-1690	550 - 800	556 - 715	10
EH-1691	874 - 1000	795 - 900	
EH-1692	1000 - 1113	900 - 954	
EH-1693	1192 - 1590	1032 - 1272	
EH-1694	1510 - 1590	1351 - 1590	
EH-1699	2000	1780	11 1/4
EH-1695	2300	2167	
EH-1696	2500	-	12 1/4
EH-1697	3500	-	12 3/4
EH-1698	4000	-	13 1/4

NORMALLY USED WITH A PAD SHIELD (SOLD SEPARATELY - SEE PAGE EHV-01)  
 CONNECTORS SUPPLIED WITH CLAMPING HARDWARE IN ACCORDANCE WITH NEMA STANDARD (CC 1)  
 ALL PADS ARE FINISHED ON BOTH SIDES

**TYPE AP-CF**  
**BOLTED GROUND STUD**

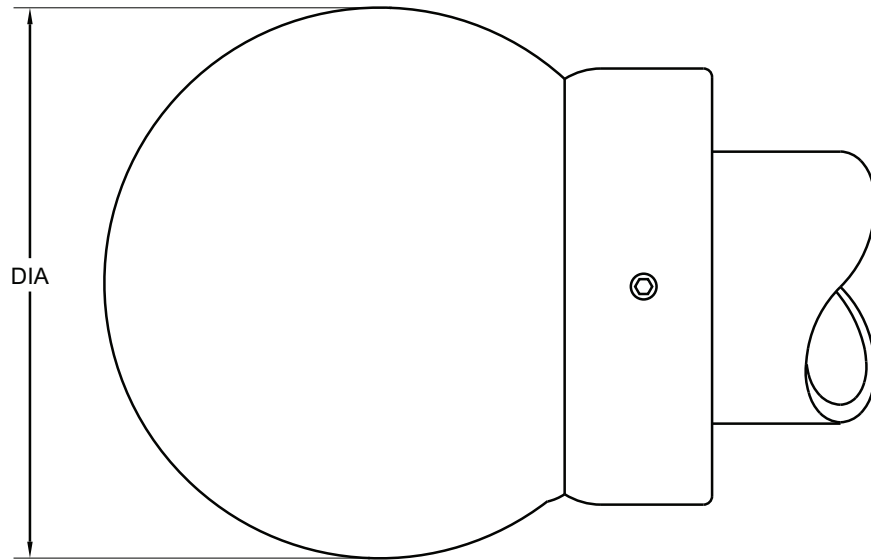


HOMAC CATALOG NUMBER	SPS
EH-1161	2
EH-1162	2 1/2
EH-1163	3
EH-1164	3 1/2
EH-1165	4
EH-1166	5
EH-1167	6

FOR OTHER BALL DIAMETER SIZES CONSULT THE FACTORY  
 CONNECTORS SUPPLIED WITH CLAMPING HARDWARE IN ACCORDANCE WITH NEMA STANDARD (CC 1)

**TYPE AVM-CF**

**BOLTED CORONA BELL**

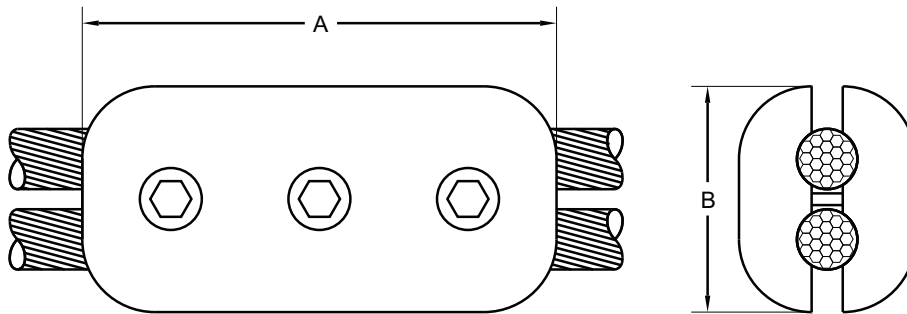


HOMAC CATALOG NUMBER	SPS	DIA
EH-3865	2	5
EH-3866	2 1/2	
EH-3867	3	8
EH-3868	3 1/2	
EH-3869	4	
EH-3870	5	
EH-3871	6	

FOR OTHER BALL DIAMETER SIZES CONSULT THE FACTORY  
 CONNECTORS SUPPLIED WITH CLAMPING HARDWARE IN ACCORDANCE WITH NEMA STANDARD (CC 1)

## TYPE AVW-CF

PARALLEL CLAMP  
CABLE TO CABLE



HOMAC CATALOG NUMBER	CABLE RUN & TAP		A	B
	AAC	ACSR		
EH-1776	556 - 800	477 - 666	6 1/2	3 3/4
EH-1777	874 - 954	715 - 854		3 7/8
EH-1778	1000 - 1272	954 - 1113	7	4
EH-1779	1351 - 1510	1192 - 1351	7 1/4	4 1/2
EH-1780	1590 - 1590	1431 - 2167		5

BOTH RUN AND TAP MUST BE OF THE SAME SIZE FOR THIS PARALLEL CLAMP TO FUNCTION CORRECTLY  
CONNECTORS SUPPLIED WITH CLAMPING HARDWARE IN ACCORDANCE WITH NEMA STANDARD (CC 1)







**NEMA**<sup>®</sup>



**THE  
HOMAC  
COMPANIES**

**12 Southland Road, Ormond Beach, FL 32174, USA**

**Telephone 386.677.9110 • Fax 386.673.5497 • [www.homac.com](http://www.homac.com) • E-mail [sales@homac.com](mailto:sales@homac.com)**

**SP2007**



Homac Mfg. Company  
Ormond Beach, FL



Made in USA